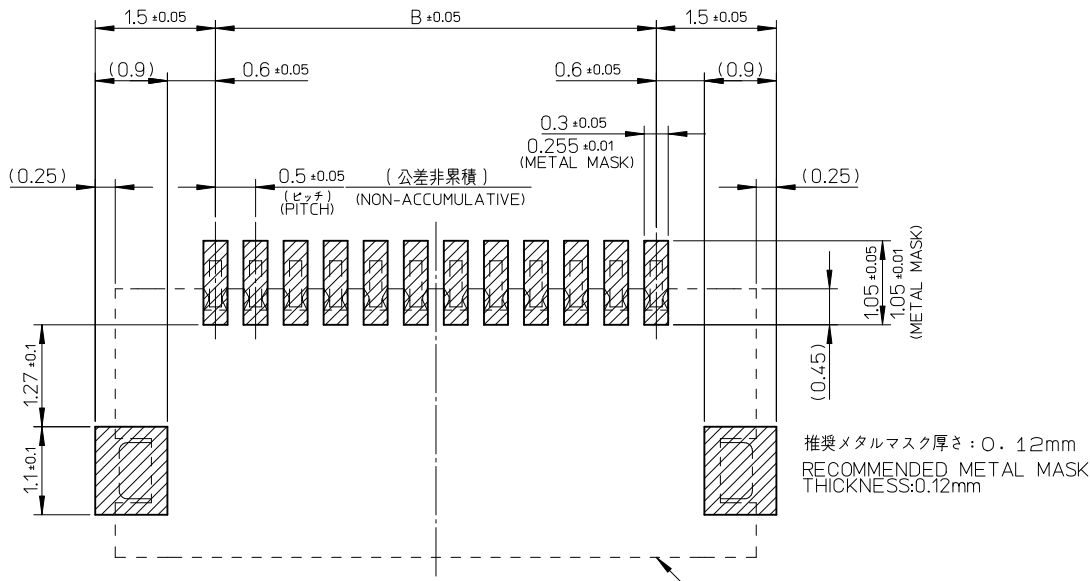


|    |    |      |                    |          |
|----|----|------|--------------------|----------|
| 23 | 22 | 24.5 | 502118-4591        | 45       |
| C  | B  | A    | EMBOSSED PACKAGING | 極数       |
|    |    |      | オーダー番号 ORDER NO.   | CIRCUITS |

CONNECTOR SERIES NO. : 502118-\*\*-21

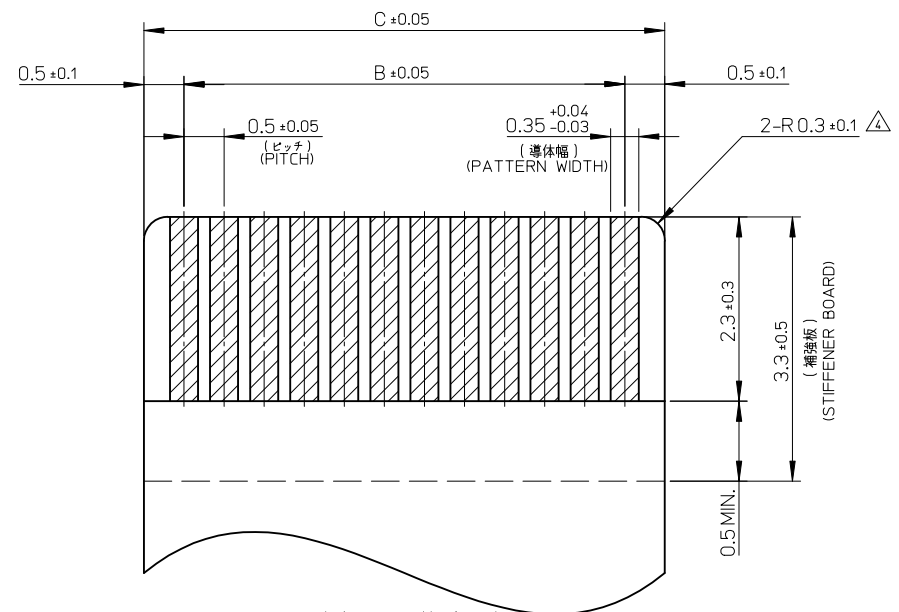
|  |                                       |   |                            |                    |   |                        |                        |
|--|---------------------------------------|---|----------------------------|--------------------|---|------------------------|------------------------|
| RELEASED<br>EC NO: J2010-1059<br>DRWN: HON001 2009/11/19<br>CH'KD: HSHIMOYAMA 2009/11/19<br>APPR: KNORIKAWA 2009/11/19 | GENERAL TOLERANCES (UNLESS SPECIFIED) |   | DIMENSION STYLE<br>MM ONLY |                    | SCALE<br>//   | DESIGN UNITS<br>METRIC | THIRD ANGLE PROJECTION |
|  | 10 UNDER                              | ± 0.2   | DRAWN BY<br>HONO           | DATE<br>2008/11/19 | TITLE<br>0.5 FPC CONN BACK FLIP<br>H=0.9 UPR/BTM CONT |                        |                        |
|  | 10 OVER 30 UNDER                      | ± 0.25  | CHECKED BY<br>HSHIMOYAMA   | DATE<br>2008/11/19 | MOLEX INCORPORATED                                    |                        |                        |
|  | 30 OVER                               | ± 0.3   | APPROVED BY<br>HHIRATA     | DATE<br>2008/11/19 | DOCUMENT NO.<br>SD-502118-003                         |                        |                        |
|  | ANGULAR                               | ± 1 °   | MATERIAL NO.<br>SEE CHART  |                    | SHEET NO.<br>1 OF 2                                   |                        |                        |
| DRAFT WHERE APPLICABLE MUST REMAIN WITHIN DIMENSIONS   |                                       | THIS DRAWING CONTAINS INFORMATION THAT IS PROPRIETARY TO MOLEX INCORPORATED AND SHOULD NOT BE USED WITHOUT WRITTEN PERMISSION |                            |                    |   |                        |                        |



推奨基板レイアウト  
RECOMMENDED P.W. BOARD  
PATTERN DIMENSION  
(マウント面)  
(MOUNTING SIDE)

コネクタ位置  
CONNECTOR POSITION

推奨メタルマスク厚さ: 0.12mm  
RECOMMENDED METAL MASK  
THICKNESS: 0.12mm



適合FPC推奨寸法  
APPLICABLE FPC  
RECOMMENDED DIMENSION  
(仕上がり厚さ: 0.20 ± 0.03)  
(THICKNESS: 0.20 ± 0.03)

注記 NOTE

1. 使用材料 MATERIAL

- ハウジング HOUSING : 液晶ポリマー, 色: 白  
ガラス充填, UL94V-0  
LIQUID CRYSTAL POLYMER, COLOR: WHITE  
GLASS FILLED, UL94V-0
- アクチュエータ ACTUATOR : ポリアミド樹脂, 色: 黒  
ガラス充填, UL94V-0  
POLYAMIDE, COLOR: BLACK  
GLASS FILLED, UL94V-0
- ターミナル TERMINAL : りん青銅 (t=0.15)  
PHOSPHOR BRONZE (t=0.15)
- 補強金具 FITTING NAIL : りん青銅 (t=0.15)  
PHOSPHOR BRONZE (t=0.15)

- 3. 端子、補強金具の平坦度は0.1以下とする。  
SOLDER TAILS AND FITTING NAILS  
COPLANARITY TO BE 0.1 MAXIMUM.

△ R0.3はFPC導体部にかからないこと。  
R0.3 MUST NOT BE OVERLAPPED  
TO PATTERN OF FPC.

- 5. ELV及びRoHS適合品  
ELV AND RoHS COMPLIANT.

6. 基板実装前にアクチュエータを操作しないで下さい。  
必ず基板に実装し、FPCを挿入してからアクチュエータを操作して下さい。  
PLEASE DO NOT OPERATE THE ACTUATOR  
BEFORE MOUNTING.  
PLEASE OPERATE THE ACTUATOR AFTER MOUNTING ON  
THE SUBSTRATE, AND MATING FPC.

2. めっき仕様 PLATING

- ターミナル TERMINAL : コンタクト部: 金めっき (0.1 µm以上)  
テール部: 金めっき  
下地: ニッケルめっき (1.0 µm以上)  
CONTACT AREA: GOLD PLATING (0.1 µm MINIMUM)  
SOLDER TAIL AREA: GOLD PLATING  
UNDER PLATE: NICKEL PLATING (1.0 µm MINIMUM)
- 補強金具 FITTING NAIL : 仕上: 錫めっき (1.0 µm以上)  
下地: ニッケルめっき (1.0 µm以上)  
PALTE: TIN PLATING (1.0 µm MINIMUM)  
UNDER PLATE: NICKEL PLATING (1.0 µm MINIMUM)

FPCについて  
ABOUT FPC

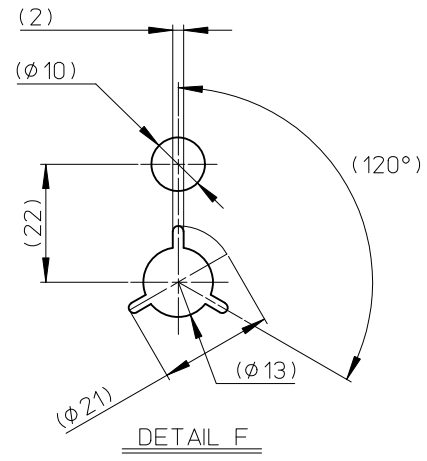
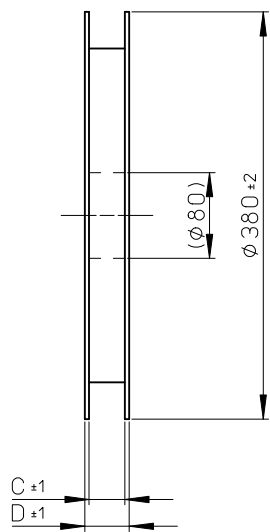
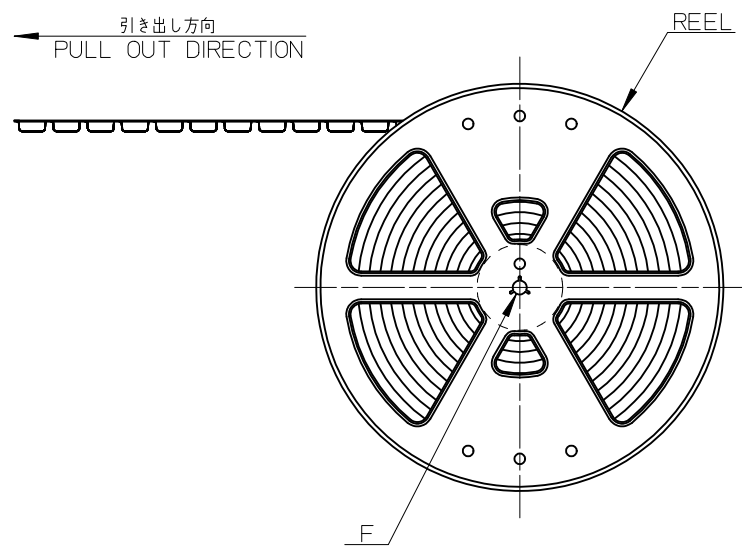
抜き方向は、導体側から補強板を推奨します。  
補強板材質は、ポリイミドを推奨します。  
接着剤は熱硬化接着剤を推奨します。  
なお、接着剤の接点部への付着は導通不良の  
原因となりますので染み出しの無いよう、お願いします。

RECOMMENDED PUNCHER DIRECTION :  
FROM CONDUCTOR SIDE TO STIFFENER BOARD SIDE.

RECOMMENDED MATERIAL :  
STIFFENER BOARD : POLYIMIDE  
BONDING AGENT : THERMOSETTING AGENT  
PLEASE PUT APPROPRIATE AMOUNT OF ADHESIVE ON ADHEREND  
BECAUSE THERE IS A POSSIBILITY  
THAT THE EXTRA ADHESIVE CAUSES THE DEFECT  
IN ELECTRICAL CONTINUITY.

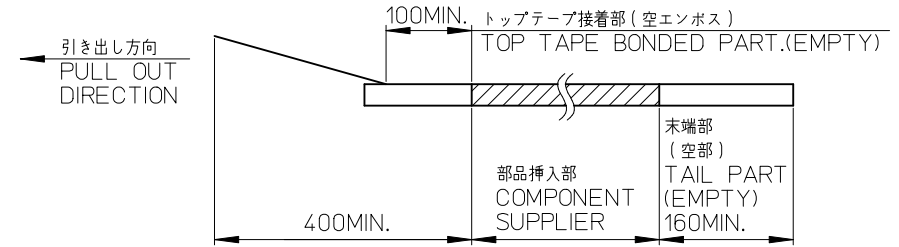
|   |                                       |              |                 |   |  |                        |
|---|---------------------------------------|--------------|-----------------|---|--|------------------------|
| RELEASED<br>IEC NO: J2010-1059<br>2009/11/19<br>DRW: HON001<br>2009/11/19<br>CHK: HSHIMOMIYAMA<br>2009/11/19<br>APPR: KNORIKAWA<br>2009/11/19 | GENERAL TOLERANCES (UNLESS SPECIFIED) |              | DIMENSION STYLE | SCALE   | DESIGN UNITS                                 | THIRD ANGLE PROJECTION |
|   |                                       |              | MM ONLY         | ///   | METRIC                                       |                        |
|   | 10 UNDER                              | ± 0.2        | HONO            | DATE  | TITLE  |                        |
|   | 10 OVER 30 UNDER                      | ± 0.25       | CHECKED BY      | DATE  | 0.5 FPC CONN BACK FLIP<br>H=0.9 UPR/BTM CONT |                        |
| 30 OVER   | ± 0.3                                 | HSHIMOMIYAMA | 2008/11/19      | MOLEX INCORPORATED  |  |                        |
| ANGULAR   | ± 1 °                                 | APPROVED BY  | DATE            | SD-502118-003   |  | SHEET NO.              |
| DRAFT WHERE APPLICABLE MUST REMAIN WITHIN DIMENSIONS  |                                       | HHIRATA      | 2008/11/19      | SEE CHART   |  | 2 OF 2                 |
|   |                                       | MATERIAL NO. |                 | DOCUMENT NO.  |  |                        |
|   |                                       | SIZE         |                 | THIS DRAWING CONTAINS INFORMATION THAT IS PROPRIETARY TO MOLEX INCORPORATED AND SHOULD NOT BE USED WITHOUT WRITTEN PERMISSION |  |                        |
|   |                                       | A3           |                 |   |  |                        |

F



NOTES

- 製品詳細寸法については製品単体図面を参照下さい。  
RE DETAILED DIMENSION, SEE PRODUCT DRAWING.
- 梱包数量: 2500個/リール  
NUMBER OF CONNECTORS 2500PCS/REEL
- リードテープ長さ  
LEAD TAPE LENGTH



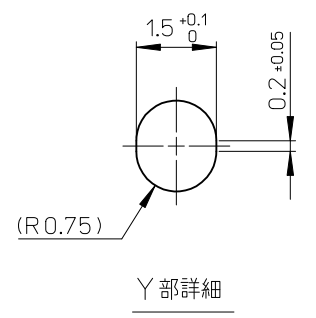
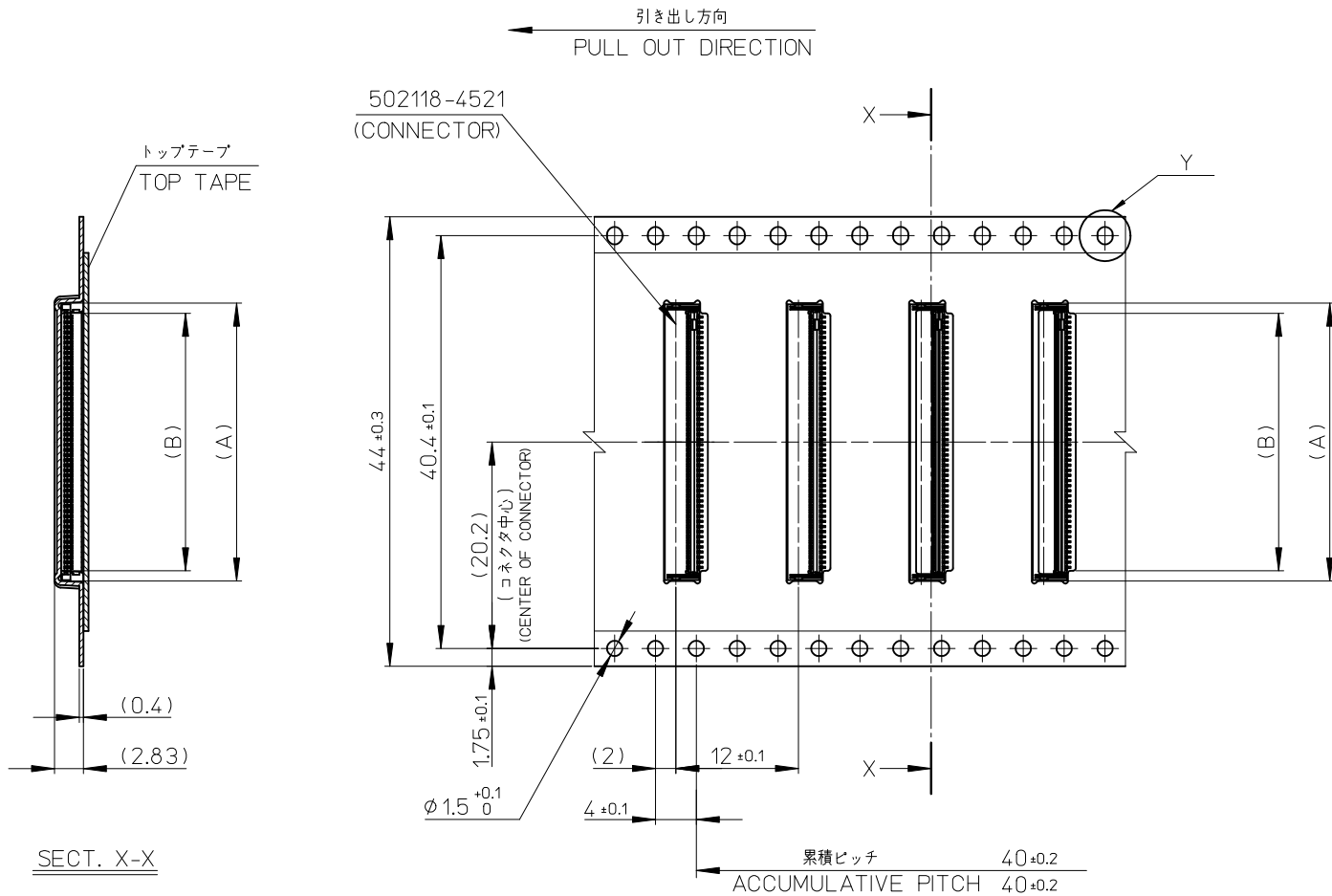
- 材料  
MATERIAL  
キャリアテープ(CARRIRE TAPE): ポリスチレン (POLYSTYRENE)  
トップテープ(TOP TAPE): PET, PE, PEF  
リール(REEL): ポリスチレン (PS) <リサイクル材を含む>  
POLYSTYRENE(PS) <RECYCLE MATERIAL CONTAILED>
- ELV及びRoHS適合品  
ELV AND RoHS COMPLIANT.

C

B

A

|   |                                       |       |  |                    |   |                        |                        |  |
|---|---------------------------------------|-------|--|--------------------|---|------------------------|------------------------|--|
| RELEASED<br>EC NO: J2010-1059<br>DRW: HONO01 2009/11/19<br>CHK: DSHIMOYAMA 2009/11/19<br>APPR: KMORIKAWA 2009/11/19 | GENERAL TOLERANCES (UNLESS SPECIFIED) |       | DIMENSION STYLE<br>MM ONLY                           |                    | SCALE<br>---  | DESIGN UNITS<br>METRIC | THIRD ANGLE PROJECTION |  |
|   | 10 UNDER                              | ± --- | DRAWN BY<br>HONO                                     | DATE<br>2008/11/19 | TITLE<br>0.5 FPC CONN BACK FLIP<br>H=0.9 UPR/BTM CONT<br>EMBSTP PKG   |                        |                        |  |
|   | 10 OVER 30 UNDER                      | ± --- | CHECKED BY<br>HSHIMOYAMA                             | DATE<br>2008/11/19 | APPROVED BY<br>HHIRATA 2008/11/19   |                        |                        |  |
|   | 30 OVER                               | ± --- | MATERIAL NO.<br>SEE CHART                            |                    | DOCUMENT NO.<br>SD-502118-004   |                        | SHEET NO.<br>1 OF 2    |  |
|   | ANGULAR ± --- °                       |       | DRAFT WHERE APPLICABLE MUST REMAIN WITHIN DIMENSIONS |                    | THIS DRAWING CONTAINS INFORMATION THAT IS PROPRIETARY TO MOLEX INCORPORATED AND SHOULD NOT BE USED WITHOUT WRITTEN PERMISSION |                        |                        |  |



SECT. X-X

|                                |      |      |      |      |                      |                |
|--------------------------------|------|------|------|------|----------------------|----------------|
| 44                             | 49.4 | 45.4 | 22.7 | 24.7 | 502118-4591          | 45             |
| キャリアテープ幅<br>CARRIER TAPE WIDTH | D    | C    | (B)  | (A)  | 製品番号<br>MATERIAL NO. | 極数<br>CIRCUITS |

|  |                                       |         |  |                    |  |                               |                        |
|--|---------------------------------------|---------|--|--------------------|--|-------------------------------|------------------------|
| RELEASED<br>EC NO: J2010-1059<br>DRWN: HON001<br>CHKD: HSHIMOYAMA<br>APPR: KMORIKAWA | GENERAL TOLERANCES (UNLESS SPECIFIED) |         | DIMENSION STYLE<br>MM ONLY                                 |                    | SCALE<br>---   | DESIGN UNITS<br>METRIC        | THIRD ANGLE PROJECTION |
|  | 10 UNDER                              | ± ---   | DRAWN BY<br>HONO   | DATE<br>2008/11/19 | TITLE<br>0.5 FPC CONN BACK FLIP<br>H=0.9 UPR/BTM CONT<br>EMBSTP PKG  |                               |                        |
|  | 10 OVER 30 UNDER                      | ± ---   | CHECKED BY<br>HSHIMOYAMA                                   | DATE<br>2008/11/19 | MOLEX MOLEX INCORPORATED   |                               |                        |
|  | 30 OVER                               | ± ---   | APPROVED BY<br>HHIRATA                                     | DATE<br>2008/11/19 | MATERIAL NO.<br>SEE CHART  | DOCUMENT NO.<br>SD-502118-004 | SHEET NO.<br>2 OF 2    |
|  | ANGULAR                               | ± --- ° | DRAFT WHERE APPLICABLE<br>MUST REMAIN<br>WITHIN DIMENSIONS |                    | THIS DRAWING CONTAINS INFORMATION THAT IS PROPRIETARY TO MOLEX<br>INCORPORATED AND SHOULD NOT BE USED WITHOUT WRITTEN PERMISSION |                               |                        |