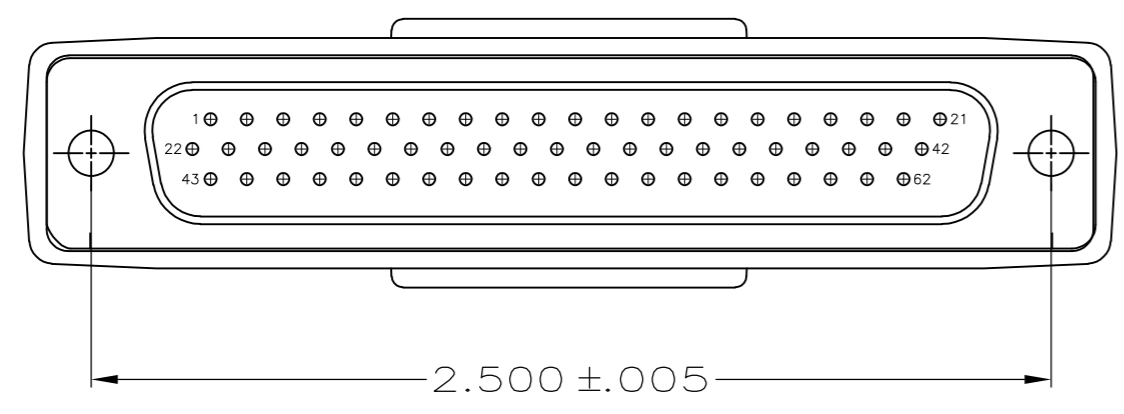
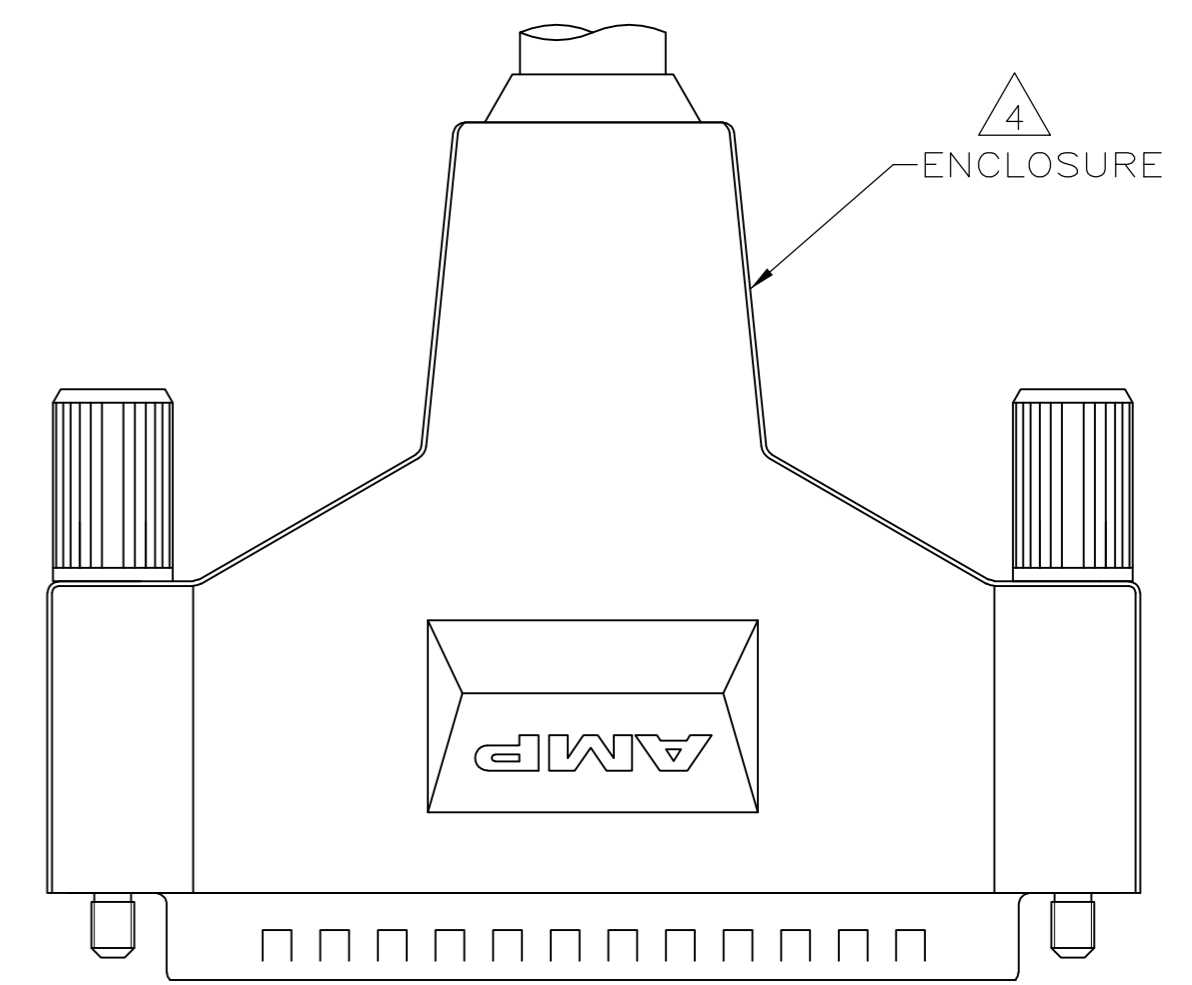
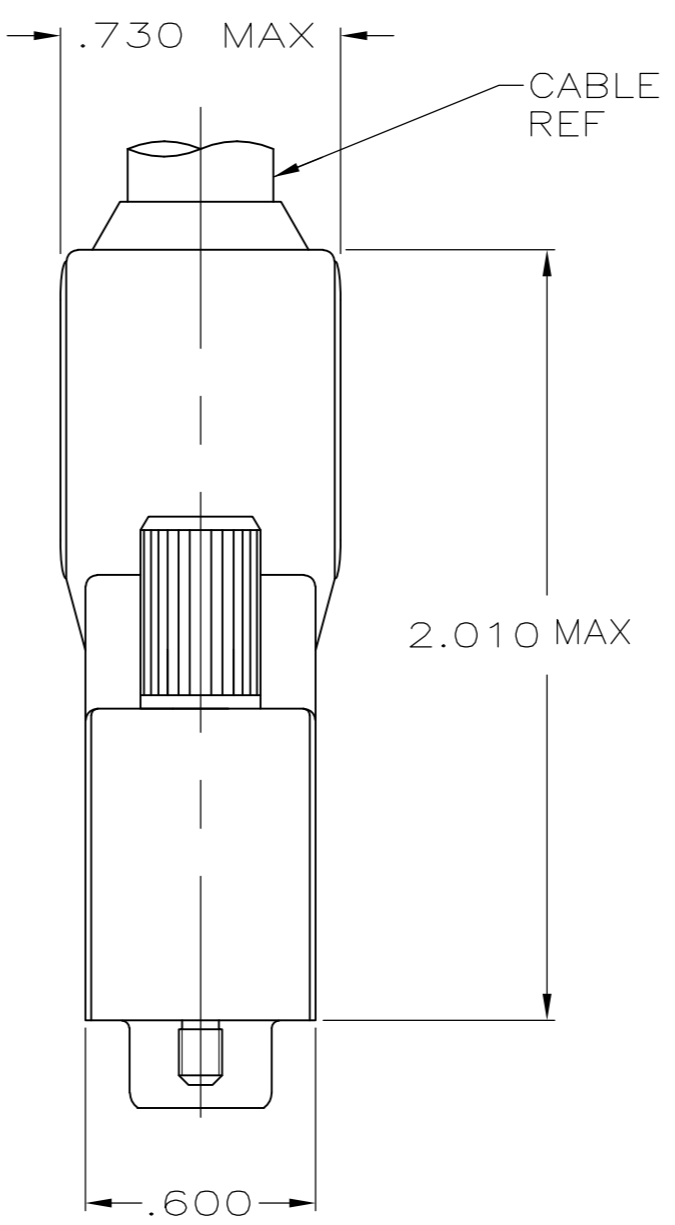
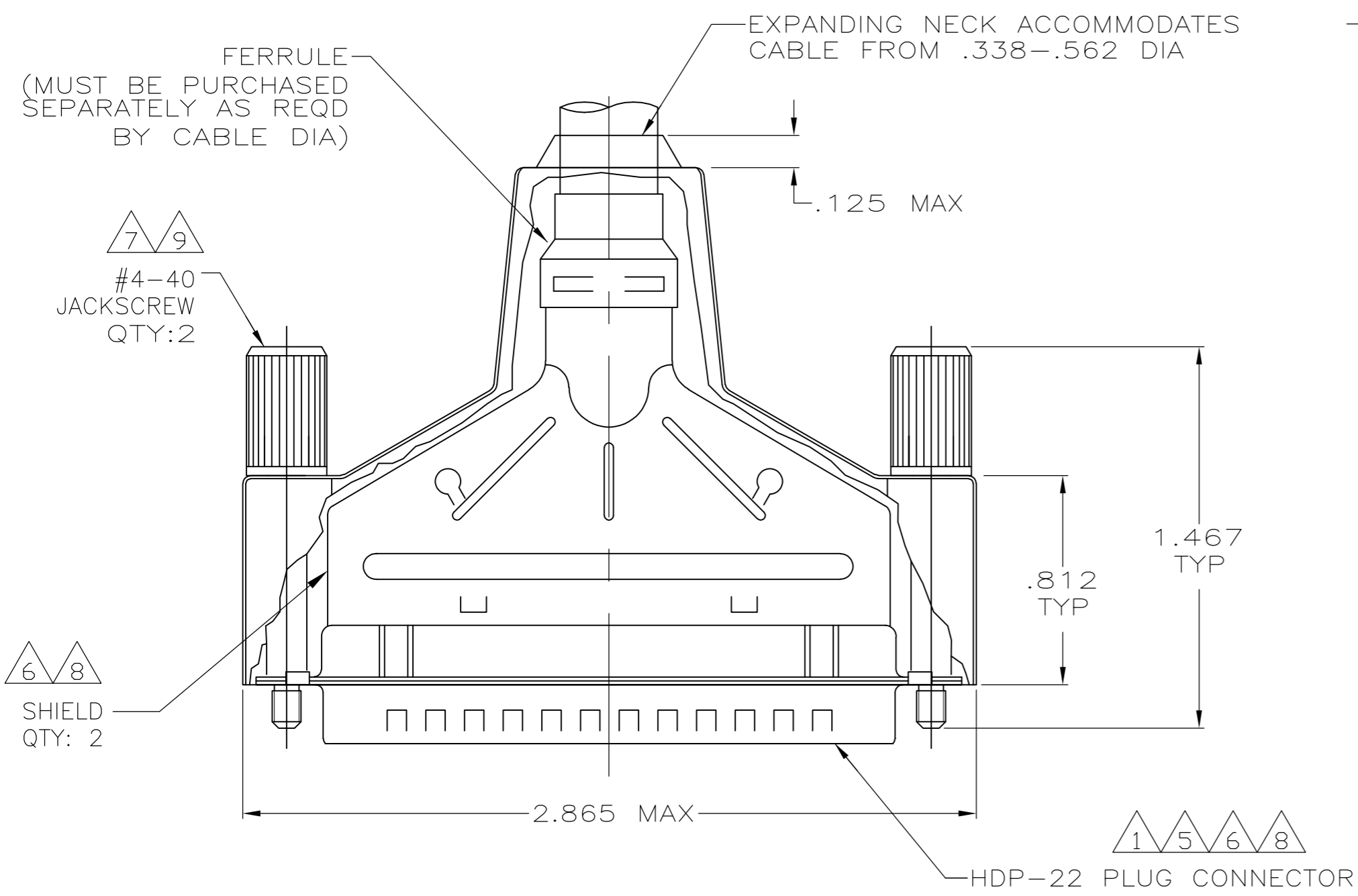


THIS DRAWING IS UNPUBLISHED. RELEASED FOR PUBLICATION
 © COPYRIGHT - By - ALL RIGHTS RESERVED.

LOC		DIST		REVISIONS					
GP		00		P	LTR	DESCRIPTION	DATE	DWN	APVD
				D		REVISED PER ECO-11-019152	25OCT2011	CJV	CWR



- ① PLUG ACCEPTS SIZE 22 DF PIN CONTACTS PURCHASED SEPARATELY.
- 2. ALL PARTS SHIPPED UNASSEMBLED.
- ③ COMPONENTS INDIVIDUALLY BULK PACKAGED.
- ④ ELASTOMER, STYRENE POLYOLEFIN, OR PVC, BLACK.
- ⑤ FLAME RETARDANT, 94V-0 RATED, GLASS FILLED, NYLON, BLACK.
- ⑥ CARBON STEEL PER ASTM A109.
- ⑦ ZINC ALLOY.
- ⑧ .000200 MIN TIN PLATE OVER .000100 MIN COPPER UNDERPLATE.
- ⑨ ELECTRODEPOSITED POLYURETHANE, BLACK.

③	W/ LOGOS	5748476-1
PACKAGING	REMARKS	PART NUMBER

THIS DRAWING IS A CONTROLLED DOCUMENT.		DWN 12-21-04 L. VARELA - DOCK5		
DIMENSIONS: INCHES		CHK 12-21-04 J. GERACE		
TOLERANCES UNLESS OTHERWISE SPECIFIED:		APVD 12-21-04 M. WALMSLEY	NAME	
0 PLC ± -		PRODUCT SPEC	SHIELDING ENCLOSURE KIT, PLUG, SIZE 4, 62 POSITION, AMPLIMITE, HDP-22	
1 PLC ± -		APPLICATION SPEC	-	
2 PLC ± -		114-40030	SIZE	CAGE CODE
3 PLC ± .020		WEIGHT	A2	00779
4 PLC ± -		RESTRICTED CUSTOMER	DRAWING NO	C=5748476
ANGLES ± -		SCALE	2:1	SHEET
FINISH		RESTRICTED TO		1 of 1
MATERIAL		REV		D