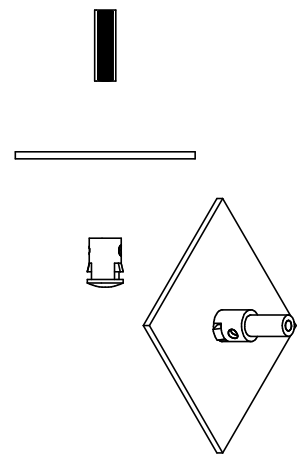
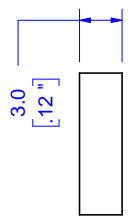


© COPYRIGHT 2010 BY INDUSTRIAL FIBER OPTICS, INC.
ALL RIGHTS RESERVED.

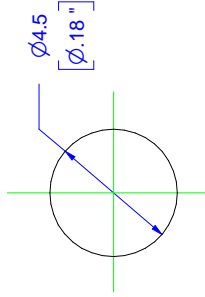
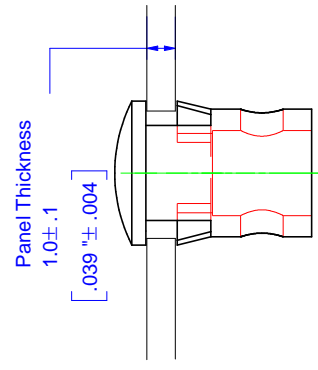
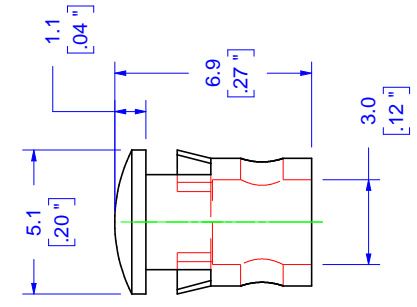
LIGHT PIPE PREPARATION/INSTALLATION:



- NOTES:**
1. ROHS COMPLIANT
 2. UL 94V-2 FLAMMABILITY RATING
 3. -40°C TO 85°C OPERATING TEMPERATURE
 4. SUITABLE FOR LIGHT PIPE WITH $\varnothing 3.0\text{mm}$ JACKET AND OPTICAL CORE NO GREATER THAN $\varnothing 2.0\text{mm}$

REVISIONS

REV	DESCRIPTION	ECO	DATE	DWN	APVD
A	Initial release		11/12/2008	BB	RD
B	Redrew, fixed diameter of mounting hole	0065	2/9/2010	BB	AR



MOUNTING HOLE

PART IS MADE OF TRANSPARENT POLYCARBONATE.

UNLESS OTHERWISE SPECIFIED DIMENSIONS MILLIMETERS [IN.]		PRODUCT	Light Pipe
TOLERANCES		MATERIAL	Polycarbonate
0 PLC: ±1	SURFACE 3.2	FINISH	
1 PLC: ±.25	TEXTURE: ∇	DRAWN BY	B. Bidwell
2 PLC: ±.127		DATE	2/9/2010
3 PLC: ±.025		CHECKED BY	A. Reyes
4 PLC: ±.013		DATE	2/11/2010
ANGLE: ±1/2°			
REMOVE BURRS AND SHARP EDGES FLATNESS .005mm PER mm ALL DIMENSIONS AFTER FINISH		NAME	
		INDUSTRIAL FIBER OPTICS TEMPE, AZ 85281	
		Lens, Light Pipe to Panel	
		SIZE	SCALE
		A	4:1
		PART NUMBER	REV
		51 0380	B
		DO NOT SCALE DRAWING	
		Sheet 1 of 1	

METRIC

