

REFERENCE SPECIFICATIONS

-NFC 93425 (in compliance with HE 507)

PHYSICAL CHARACTERISTICS

-INSULATOR MATERIAL: THERMOPLASTIC .UL94V0

-ACCESSORIES: BRASS

-SHELLS: STEEL

ELECTRICAL CHARACTERISTICS

-CONTACT/CONTACT : >=1000 V

-CONTACT/GROUND : >=1200 V

-INSULATION RESISTANCE: >=5000 MOhms

ENVIRONMENTAL CHARACTERISTICS

- CLIMATIC CATEGORY: 55/125/21

TEMPERATURE RANGE -55°C TO +125°C

DAMP HEAT STEADY STATE 21 DAYS

SALT SPRAY 24 HOURS

MECHANICAL CHARACTERISTICS

- RETENTION AGAINST TORQUE: - Threaded insert: 0.7 N.m minimum

- Female screw : 0.5 N.m minimum

Series ← DBL5W5SA00LF

Shell size: E A B C  
see sheet 2

Front accessory definition  
see sheet 2

Blank :without accessory  
L : Threaded insert M3  
O : Threaded insert UNC 4-40  
V : Female screw UNC 4-40

See note RoHS

Layout of contacts (see sheet 3)

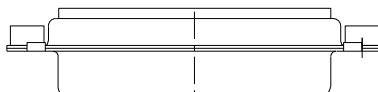
Contacts  
S :Socket

PCB accessory definition  
A without accessory on PCB

Power contacts  
00 without power contact

NOTE RoHS INFORMATION

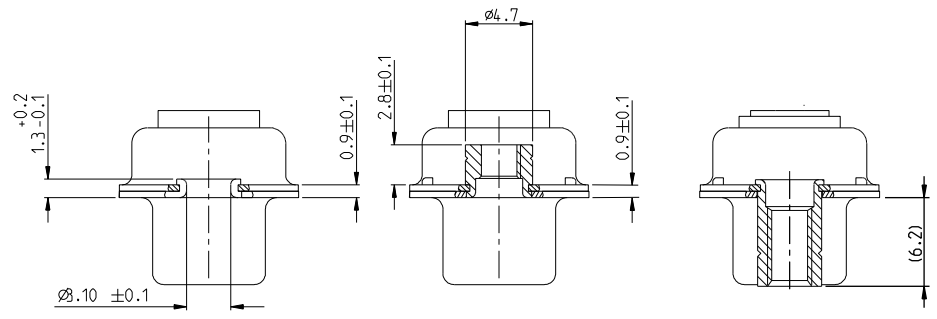
- The "LF" products meet european union Directives and other country regulations as described in GS-22-008.
- Shell plating :2 to 4 µm Cu+ Ni + 3 to 10µmm Sn(pure bright)
- Accessories: Sn pure bright + nickel
- Packaging spec: See GS-14-920



www.fciconnect.com	surface ISO 1302	-	tolerance std ISO 406	ISO 1101	projection ASME	mm
TOLERANCES UNLESS OTHERWISE SPECIFIED						
Dr	M PESSON	2005-10-11	ANGULAR	LINEAR	0.X	±0.3
Eng	P LEGARE	2005-10-11	0°	±2°	0.XXX	±0.1
Chr						±0.05
Appr			Product family			-
Rev	ecm no	dr	date			
A	LS05-0113	HPE	2005-11-28	size	A2	Scale 2:1
B	LS06-0208	LGO	2006-12-13	ECN	F09-0074	
C	LS07-0273	HPE	2007/11/05	Spec ref		
D	F09-0074	LSA	2009-08-18			
-	-	-	-			
-	-	-	-			
-	-	-	-			

FCJ title SUB FEMALE DW  
full power without contact  
Rev. C01-8639-2311 D

Copyright FCJ. FCJ



FRONT ACCESSORY	Blank without	L	insert M3	V	Female screw UNC 4-40
PCB ACCESSORIES	A without	A	without	A	without

PART NUMBER	FRONT ACCESSORY	PCB ACCESSORY
D*xW xSA00LF	WITHOUT	WITHOUT
D*VxW xSA00LF	Female screw UNC 4-40	WITHOUT
D*LxW xSA00LF	Insert M3	WITHOUT
D*0xW xSA00LF	Insert UNC 4-40	WITHOUT

shell size	LAYOUTS
E	2V2
A	3V3
A	3W3
B	5W5
C	8W8

Copyright FCI. FCI

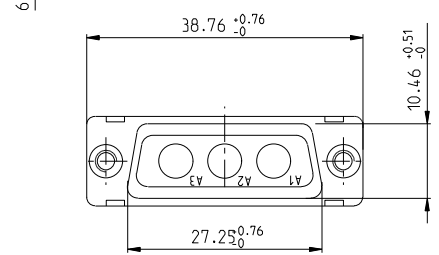
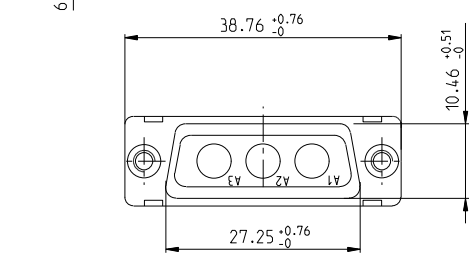
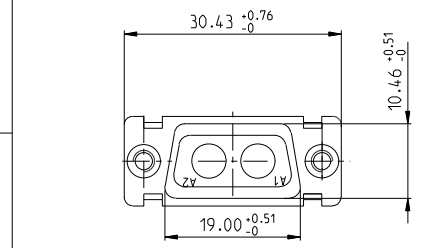
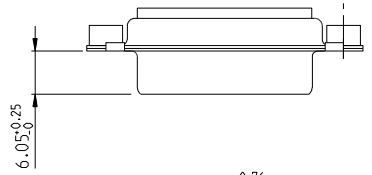
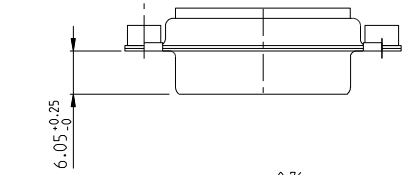
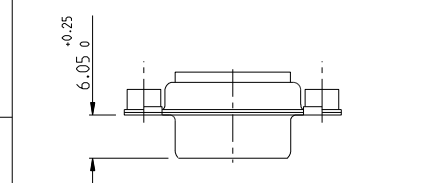
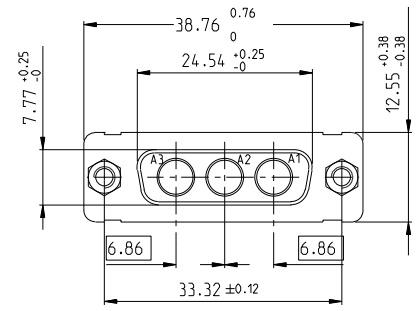
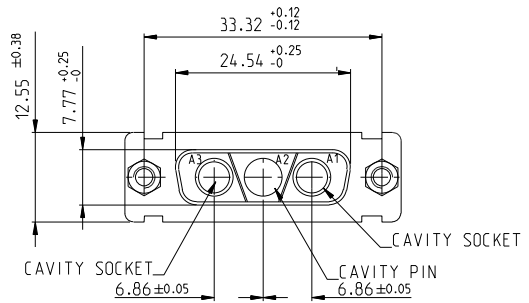
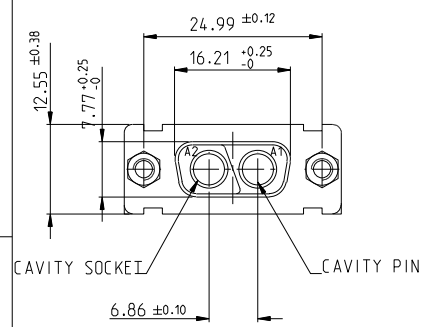
www.fciconnect.com		surface ISO 1302	tolerance std ISO 406 ISO 1101	projection ASME Y14.5	mm
TOLERANCES UNLESS OTHERWISE SPECIFIED					
Dr	M PESSON	2005-10-11	ANGULAR	0.X	±0.3
Eng	P LEGARE	2005-10-11	LINEAR	0.XX	±0.1
Chr				0.XXX	±0.05
Appr					
			Product family	-	Spec ref
			title		Rev.
			SUB FEMALE DW		C01-8639-2311
			full power without contact		D
			CUSTOMER		sheet 2 of 4

SCALE:4

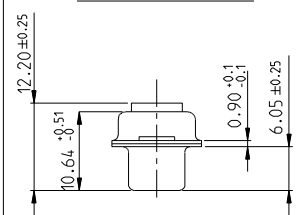
# 2V2

# 3V3

# 3W3



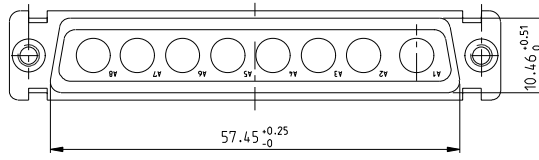
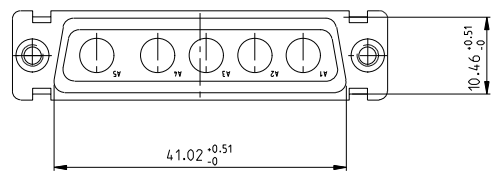
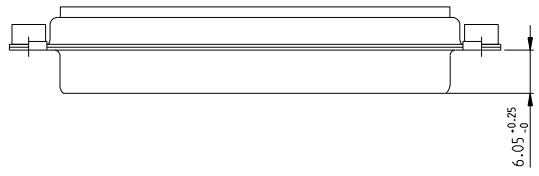
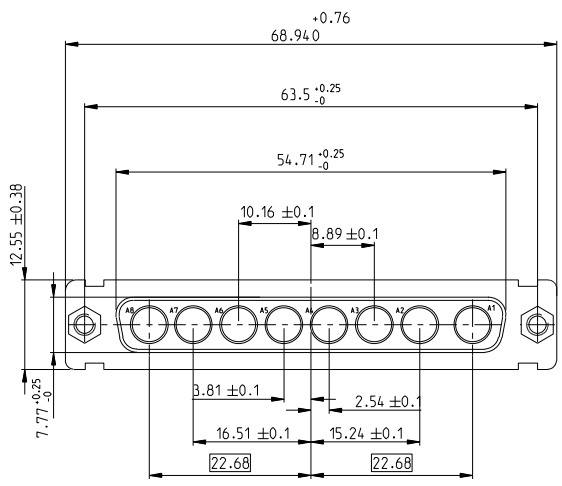
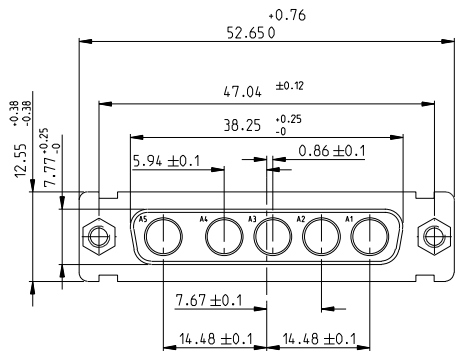
SIDE VIEW FOR LAYOUTS: E A B C



www.fciconnect.com		Surface ISO 1302	tolerance std ISO 406	ISO 1101	projection	mm
TOLERANCES UNLESS OTHERWISE SPECIFIED						
Dr	M PESSON	2005-10-11	ANGULAR	LINEAR	size	Scale
Eng	P LEGARE	2005-10-11	0°	±2°	A2	2:1
Chr			0.xxx	±0.05	ECN	F09-0074
Appr			Product family		Spec ref	
<b>FCI</b> title SUB FEMALE DW full power without contact catalog no					Rev. D C01-8639-2311 CUSTOMER	sheet 3 of 4 Printed: Oct 01, 2010

5W5

8W8



Copyright FCJ

www.fciconnect.com		Surface ISO 1302	tolerance std ISO 406 ISO 1101	projection	mm
TOLERANCES UNLESS OTHERWISE SPECIFIED					
Dr	M PESSON	2005-10-11	ANGULAR	0.X ±0.3	size A2 Scale 2:1
Eng	P LEGARE	2005-10-11	LINEAR	0.XXX ±0.1	
Chr			0° ±2°	0.XXX ±0.05	ECN F09-0074
Appr			Product family	-	Spec ref

FCJ	title SUB FEMALE DW	Rev.
catalog	full power without contact	D
Eng	C01-8639-2311	
	CUSTOMER	sheet 4 of 4