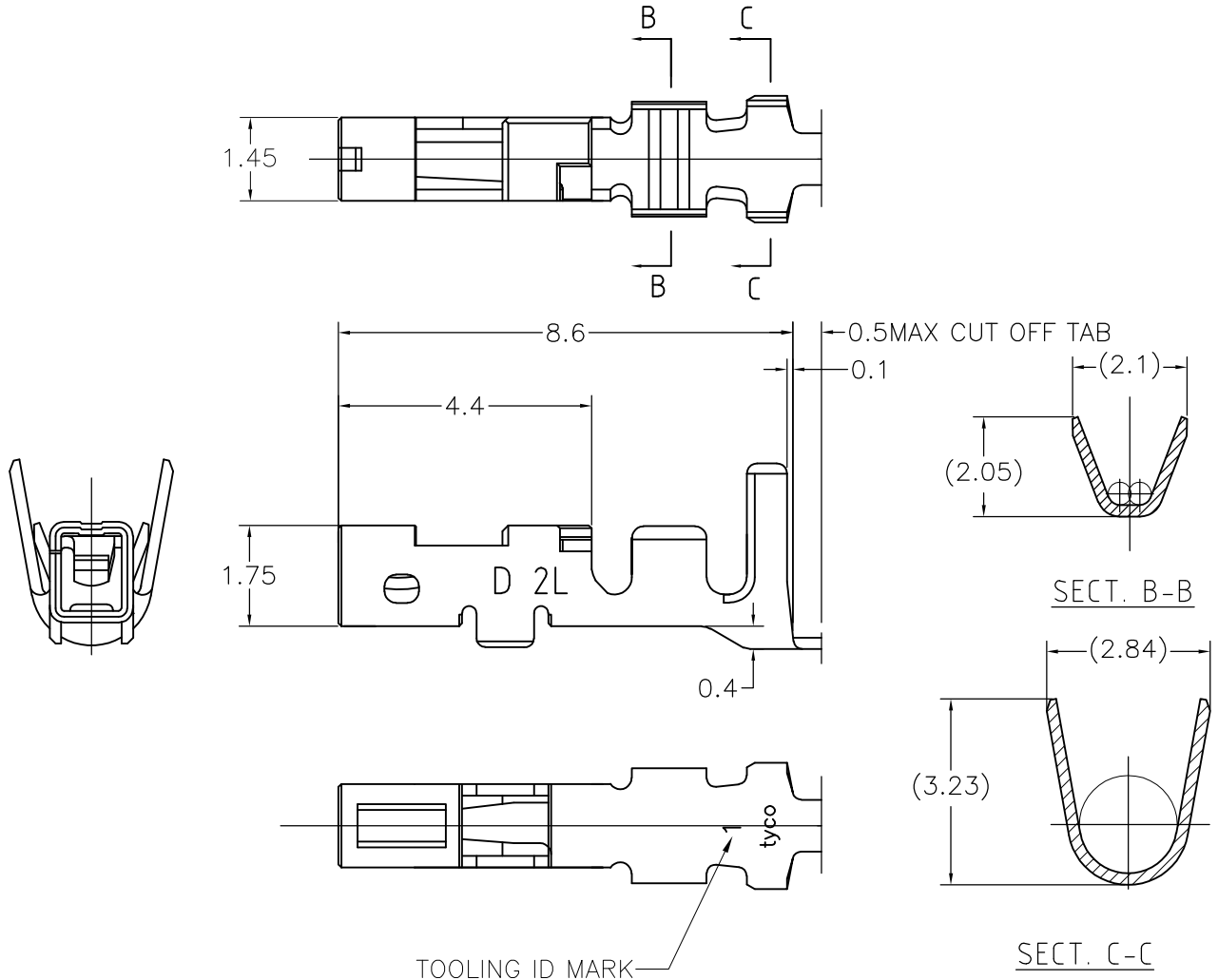


LOC J	DIST -	REVISIONS 変更			DATE	DWN	APVD
		P	LTR	DESCRIPTION			
			B	REVISED PER ECR-15-011723	08AUG2015	Y.O	E.T



NOTE

1. GENERAL TOLERANCE :  $\pm 0.3, \pm 3^\circ$
2. Application REC-HSG is applied to the product of 2.5mm PITCH or more of DYNAMIC D1000SERIES. 2.0mm PITCH cannot be used


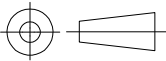
RELEASED FOR PUBLICATION

ALL RIGHTS RESERVED.

THIS DRAWING IS UNPUBLISHED.

By -

© COPYRIGHT

DIMENSIONS: 単位: 精 mm	DWN T.KUDO	23MAR2005	MATERIAL 材料	COPPER ALLOY	FINISH OVER Ni PL : 1.27μm MIN 仕上 Au PL (CONTACT AREA): 0.38μm MIN					
	CHK D.MITSUGI	23MAR2005	 TE Connectivity							
TOLERANCES UNLESS OTHERWISE SPECIFIED: 一般公差	APVD D.MITSUGI	23MAR2005								
0 PLC ± -	PRODUCT SPEC 製品規格	108-78268	NAME 名称 DYNAMIC D1000 SERIES REC CONTACT (2L TYPE)(L/P)							
1 PLC ± -	APPLICATION SPEC 取付適用規格	114-5377								
2 PLC ± -	WEIGHT	-	SIZE	A4	CAGE CODE	00779	DRAWING NO 番号	1827589	RESTRICTED TO	-
3 PLC ± -			CUSTOMER DRAWING		SCALE 尺度	8:1	SHEET	1 OF 1	REV	B
4 PLC ± -			SCALE 8:1		SHEET 1 OF 1		REV B			
ANGLES ± -	1469-35 (1/15)									