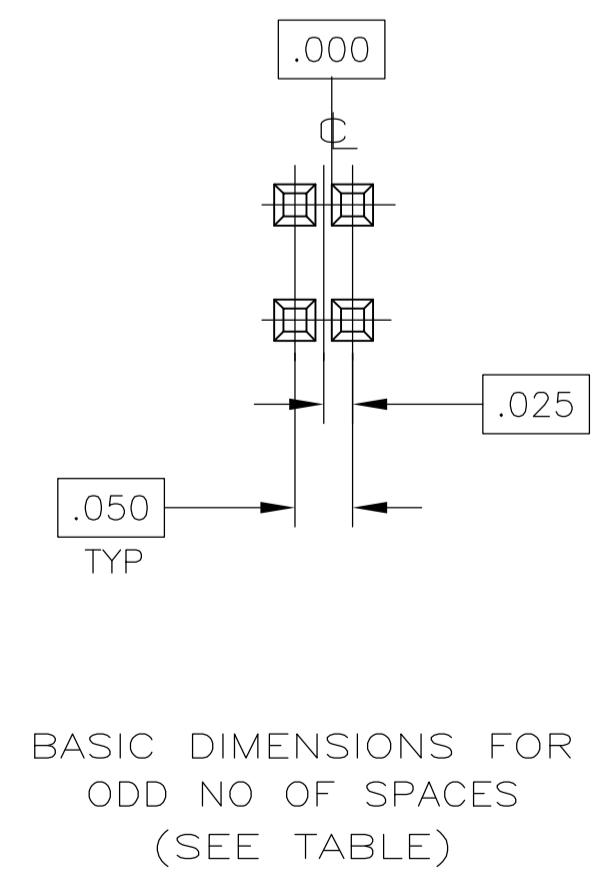
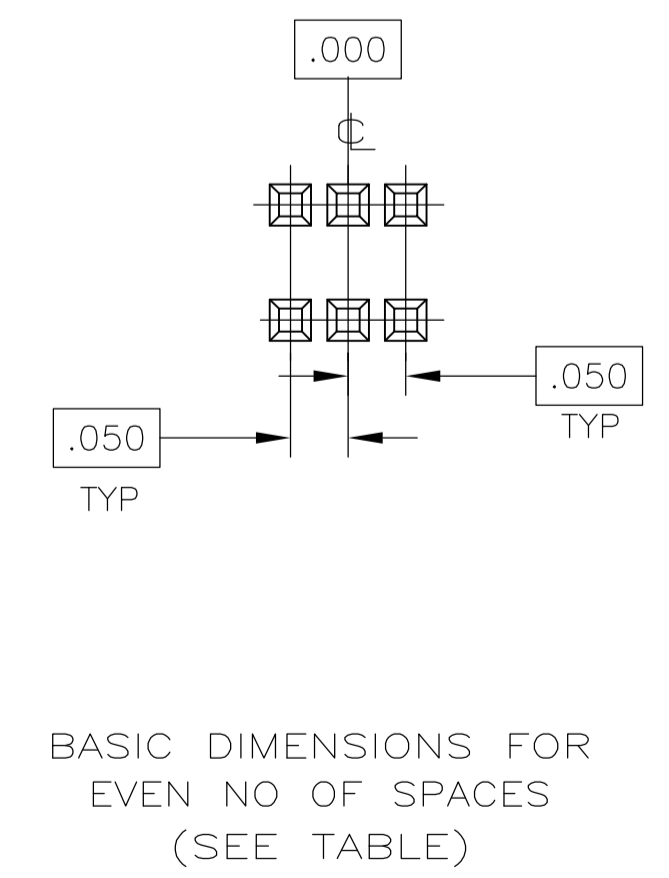
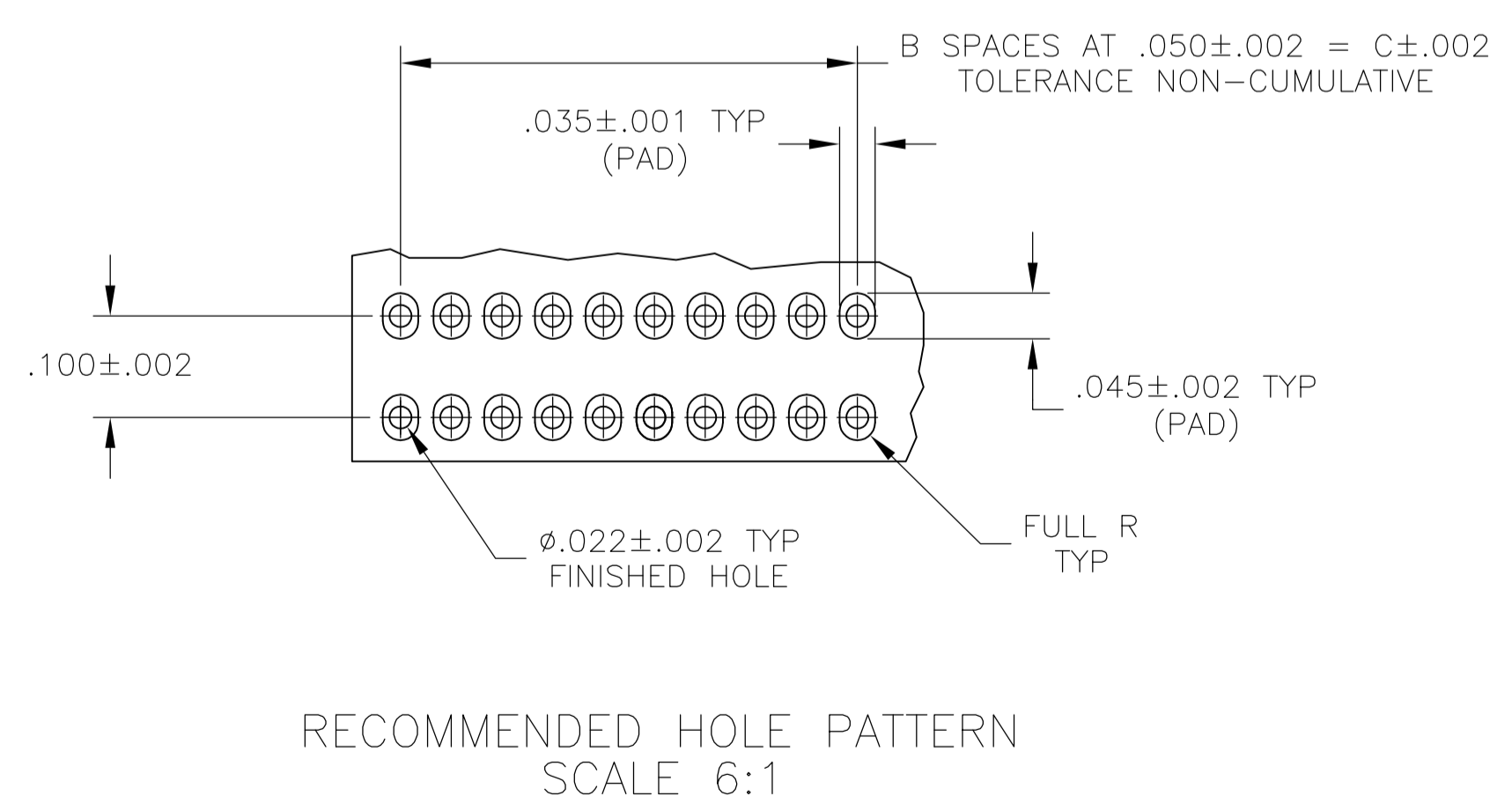


- 1 CONTACT AREA PLATED WITH .000030 GOLD; SOLDER TAILS PLATED WITH .000150 TIN-LEAD, ALL OVER .000050 NICKEL
- 2 POINT OF MEASUREMENT FOR GOLD PLATING THICKNESS IS .030 FROM MATING END OF CONTACT
- 3 HOUSING: THERMOPLASTIC, COLOR-BLACK. POST: COPPER ALLOY.
- 4 THE NOTED DIMENSIONS APPLY AT THE INTERSECTION OF THE POST AND HOUSING.
- 5 WINDOWS ON SIDE OF HOUSING AND RIBS ON BOTTOM OF HOUSING ARE MOLDERS OPTION.
- 6 AMP LOGO PRESENCE AND LOCATION OPTIONAL.
- 7 CONTACT AREA PLATED WITH .000030 GOLD; SOLDER TAILS PLATED WITH .000150 TIN, ALL OVER .000050 NICKEL
- 8 OBSOLETE PARTS: OBSOLETE CIS STREAMLINING PER D.RENAUD/D.SINISI
- 9 PRELIMINARY PART - NOT RELEASED FOR PRODUCTION



7	.300	6	.394	14	9	6-104078-4
7	1.650	33	1.744	68		6-104078-3
7	1.750	35	1.844	72		6-104078-2
7	.350	7	.444	16		6-104078-1
7	.800	16	.894	34		6-104078-0
7	.550	11	.644	24		5-104078-9
7	2.450	49	2.544	100		5-104078-8
7	1.950	39	2.044	80		5-104078-7
7	1.450	29	1.544	60		5-104078-6
7	1.200	24	1.294	50		5-104078-5
7	.700	14	.794	30		5-104078-4
7	.200	4	.294	10		5-104078-3
7	.950	19	1.044	40		5-104078-2
7	.450	9	.544	20		5-104078-1
1	.300	6	.394	14	9	1-104078-4
1	1.650	33	1.744	68		1-104078-3
1	OBSOLETE	1.750	35	1.844	72	1-104078-2
1	OBSOLETE	.350	7	.444	16	1-104078-1
1	.800	16	.894	34		104078-0
1	.550	11	.644	24		104078-9
1	2.450	49	2.544	100		104078-8
1	1.950	39	2.044	80		104078-7
1	1.450	29	1.544	60		104078-6
1	1.200	24	1.294	50		104078-5
1	.700	14	.794	30		104078-4
1	.200	4	.294	10		104078-3
1	.950	19	1.044	40		104078-2
1	.450	9	.544	20		104078-1
	C	B	A	NO OF POS		PART NUMBER

THIS DRAWING IS A CONTROLLED DOCUMENT.		DIN D. CLOUSER 1-15-87		TE Connectivity RECEPTACLE ASSEMBLY, VERTICAL, AMPMODU® System 50	
DIMENSIONS: INCHES		TOLERANCES UNLESS OTHERWISE SPECIFIED:			
0. PLC ± - 1. PLC ± - 2. PLC ± - 3. PLC ± .005 4. PLC ± - ANGLES ± -		0. PLC ± - 1. PLC ± - 2. PLC ± - 3. PLC ± .005 4. PLC ± - ANGLES ± -		PRODUCT SPEC 108-1093 APPLICATION SPEC 114-25031 WEIGHT - CUSTOMER DRAWING	
MATERIAL 3		SEE TABLE 2		SIZE CAGE CODE DRAWING NO RESTRICTED TO A1 00779 C=104078 - SCALE 4:1 SHEET 1 OF 1 REV U3	