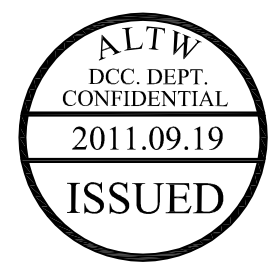
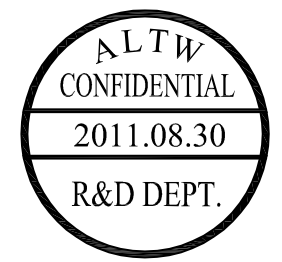
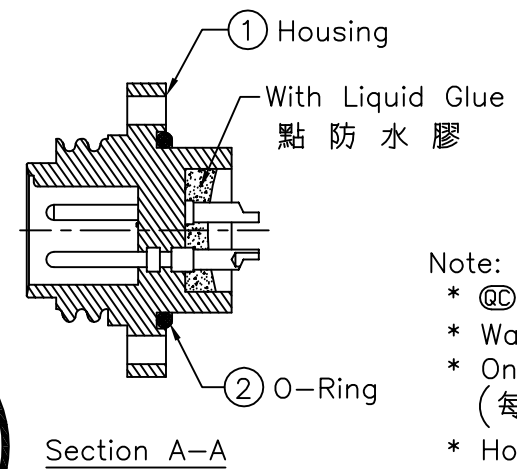
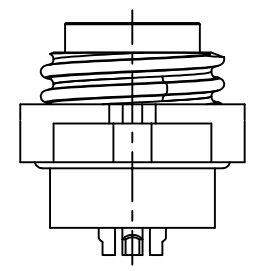
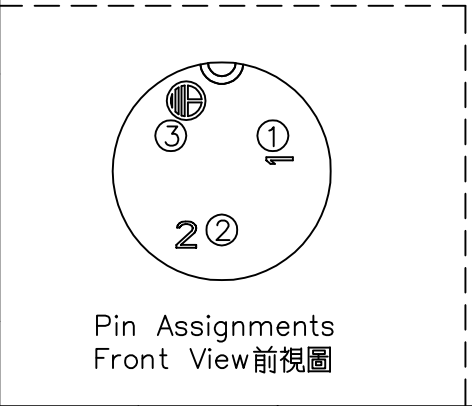
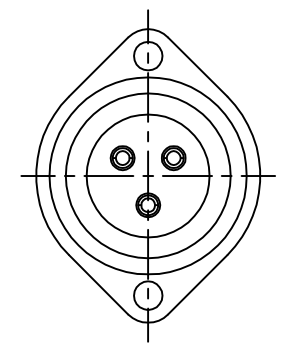
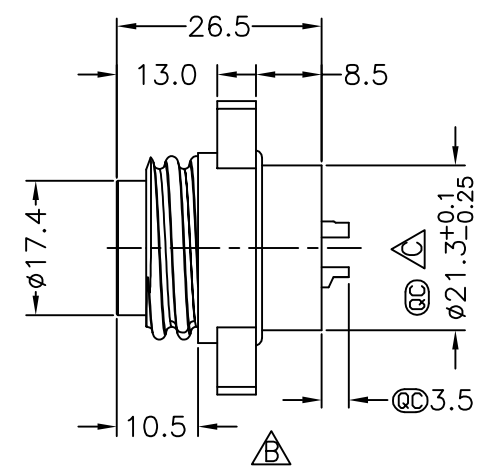
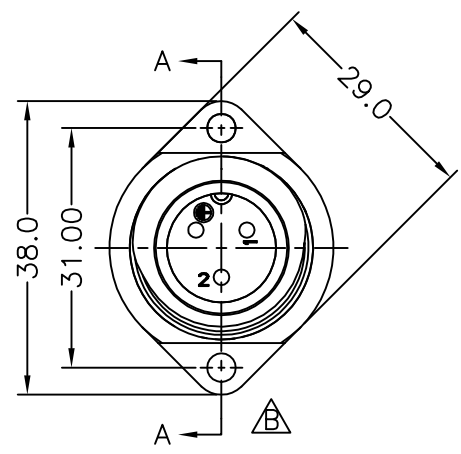
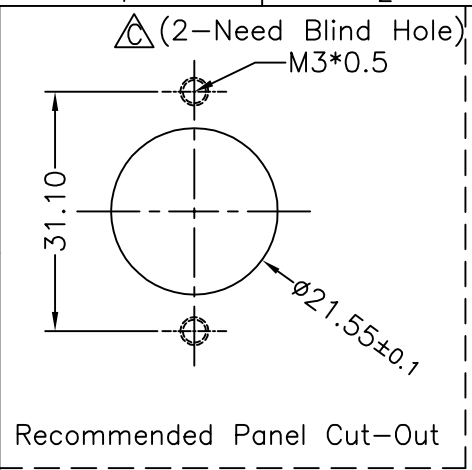


REV.	ECN NO.	DATE	SIGN	DESCRIPTION
B	LEN-750082	2006/11/23	Hu Min	Change Size
C	LEN1190166	2011/08/26	Tony	Modify Dimension & Note

THIS DOCUMENT IS SUBJECT TO CHANGE WITHOUT NOTICE. IT IS CONFIDENTIAL AND A PROPERTY OF Amphenol LTW. DISCLOSURE TO THIRD PARTY HAS TO BE AUTHORIZED BY Amphenol LTW.



- Note:
- \* @@Important Dimension.
  - \* Waterproof Rate : IP67
  - \* One Set in One LTW Sealed Bag (每一組裝, 放置於一個 LTW封口袋)
  - \* Housing:Nylon+GF,Black.
  - \* Male pin:Copper Alloy,Gold Plated
  - \* O-Ring:Silicone 60,Gray.
  - \* Liquid Glue:Clear.

UNIT:mm		TITLE Power,Panel Screw 3Pin M Conn M Pin	<b>Amphenol LTW</b>		ITEM NO PWF-03PMMS-SC7001	DRAWN BY Tony	DATE 2011/08/26
TOLERANCE .X ±0.25 .XX ±0.1 .XXX ±0.05 ANGLES ±1°	SCALE Free	SHEET 1 OF 1	<b>安費諾亮泰企業股份有限公司</b>		DWG NO PWF-03PMMS-SC7001	CHECKED BY Chang	DATE 2011/08/30
REV. C	SIZE A4	@C :Inspection Item			CUSTOMER ALTW	APPROVED BY LUKE	DATE 2011/08/30