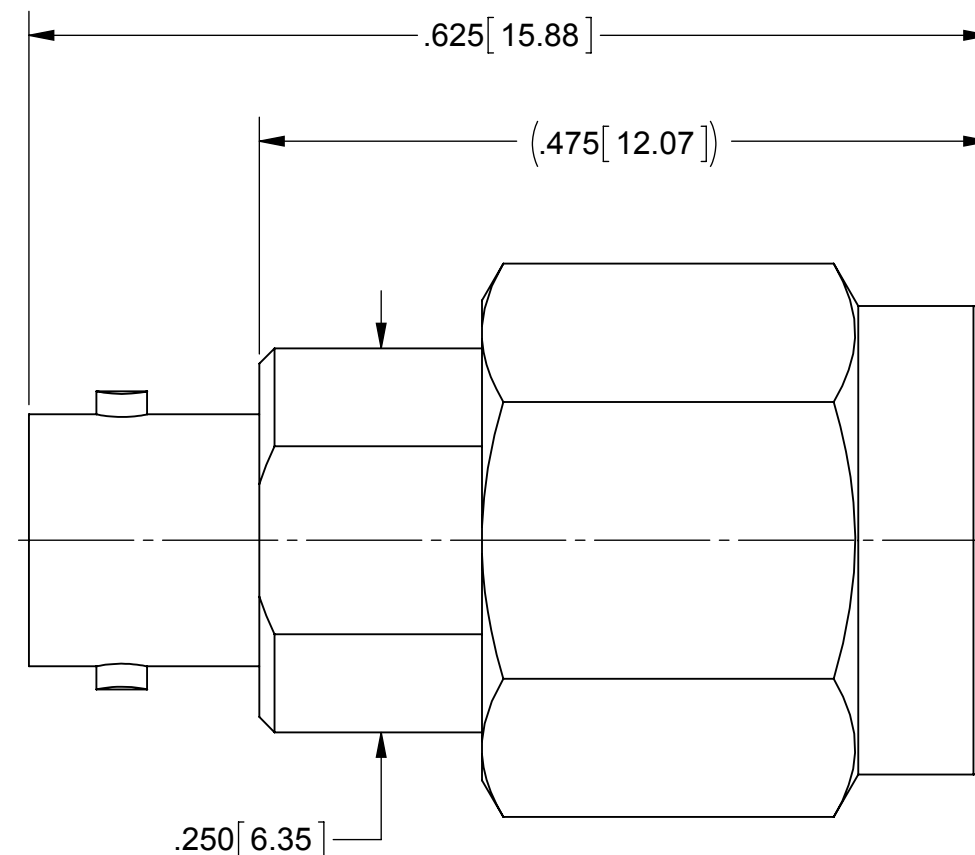
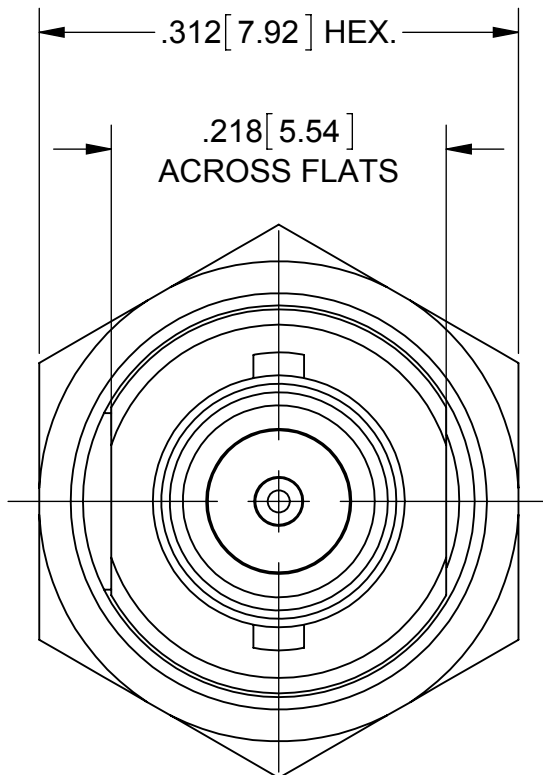
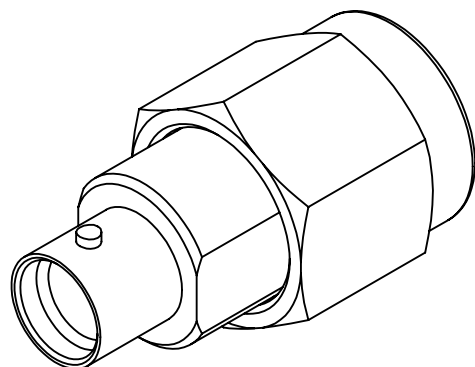


# PRODUCT DATA DRAWING

REVISION HISTORY			
REV	DESCRIPTION	DATE	APPROVED
01	PRELIMINARY	02/14	STW



**MATERIAL:**

BODY & COUPLING NUT:

STAINLESS STEEL PER AMS-5640, ALLOY UNS S30300, TYPE 1

LOCK RING & CONTACT:

BERYLLIUM COPPER PER ASTM B196, ALLOY No. UNS C17300, TD04

INSULATOR:

PTFE PER ASTM D1710, TYPE I, GRADE 1, CLASS B

**FINISH:**

BODY & COUPLING NUT:

PASSIVATED PER AMS-2700.

CONTACT:

GOLD PER ASTM B488, TYPE II, CODE C, CLASS 1.27, OVER NICKEL PER AMS-QQ-N-290, CLASS 1, .00005" MIN.

**PERFORMANCE:**

IMPEDANCE:

50 OHMS

MATERIAL:	SEE NOTES
FINISH:	SEE NOTES
SURFACE AREA:	N/A
<b>PROPRIETARY</b>	
<small>THE INFORMATION CONTAINED IN THIS DRAWING IS THE SOLE PROPERTY OF SV MICROWAVE, INC. ANY REPRODUCTION IN PART OR AS A WHOLE WITHOUT THE WRITTEN PERMISSION OF SV MICROWAVE, INC IS PROHIBITED.</small>	

DIMENSIONS ARE IN INCHES TOLERANCES:	
FRACTIONAL: ±1/64	ANGULAR: X° ±1'0" X*X' ±15'
DECIMAL: X ±.030	.XX ±.010
	.XXX ±.005
INTERPRET DIMENSIONS AND TOLERANCES PER ASME Y14.5M - 1994	
<b>THIRD ANGLE PROJECTION</b>	

UNLESS OTHERWISE SPECIFIED	
<small>1) ALL DIMENSIONS ARE IN INCHES (MILLIMETERS)                  2) ALL DIMENSIONS ARE AFTER PLATING.                  3) BREAK CORNERS &amp; EDGES .005 R. MAX.                  4) CHAM. 1ST &amp; LAST THREADS.                  5) SURFACE ROUGHNESS 63-MIL-STD-10.                  6) DIA: 'S ON COMMON CENTERS TO BE CONCENTRIC WITHIN .005 T.I.R.                  7) REMOVE ALL BURRS</small>	
DRAWN:	ELA 02/28/14
CHECKED:	STW 02/28/14
APPROVED:	STW 02/28/14

<b>SV Microwave, Inc.</b>		
<small>2400 Centrepark West Drive, Suite 100                  West Palm Beach, FL 33409</small>		
TITLE: <b>SMP QUARTERBACK MALE TO SMA MALE ADAPTER</b>		
SIZE	CAGE CODE	DWG. NO.
<b>B</b>	<b>95077</b>	<b>1112-6114</b>
SCALE: 8:1		SHEET 1 OF 1