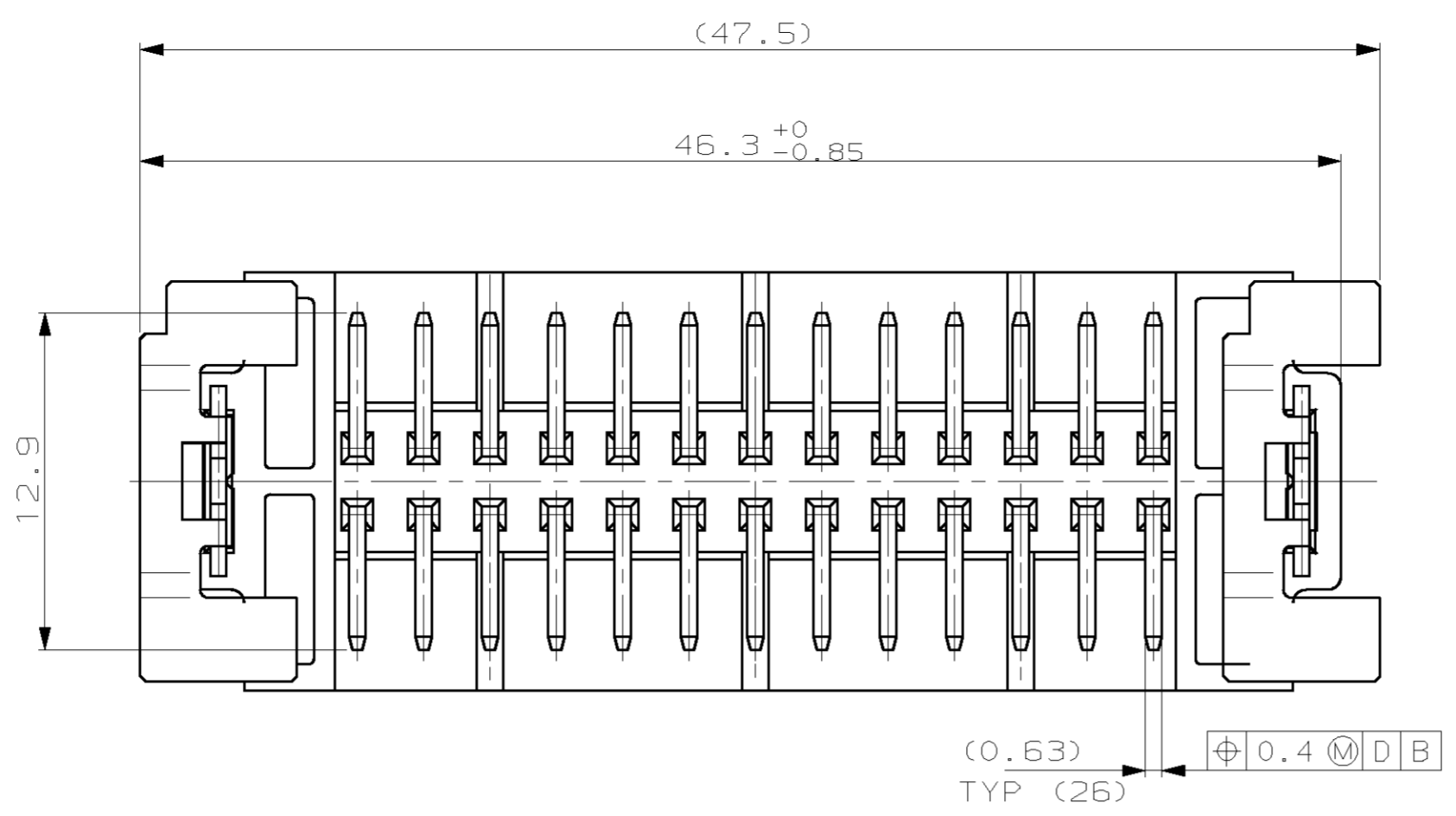


LOG	DIST	REVISIONS				
F	7	REV	DESCRIPTION	DATE	OWN	APPROV
		H	ADD SHEET 2 - ENGLISH VERSION	26-AUG-02	JLQ	-
		-	-	-	-	-
		-	-	-	-	-

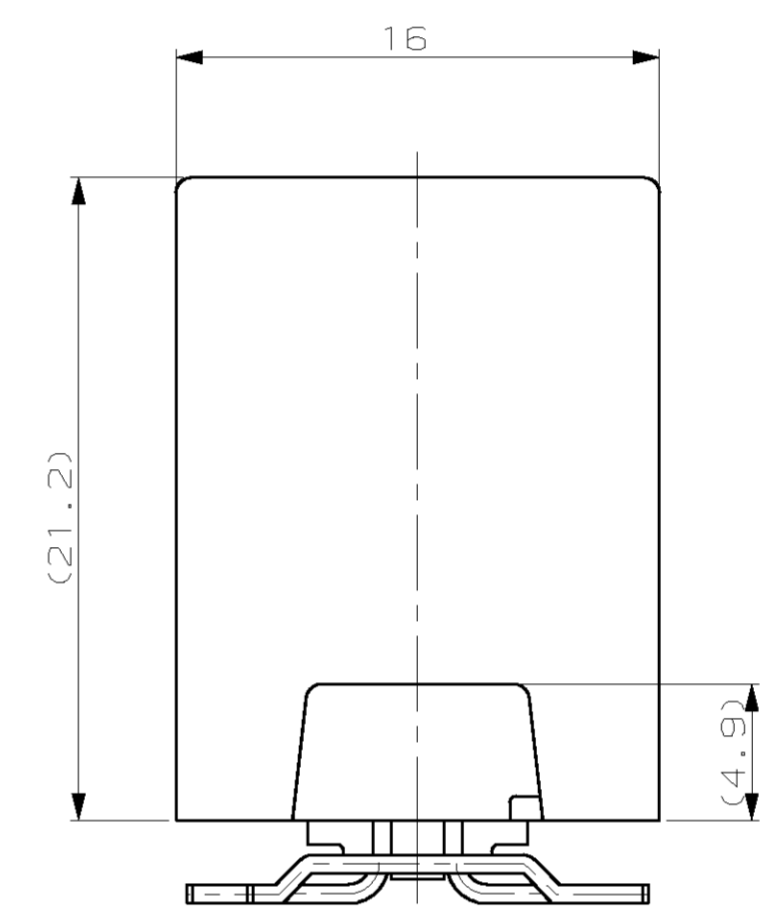
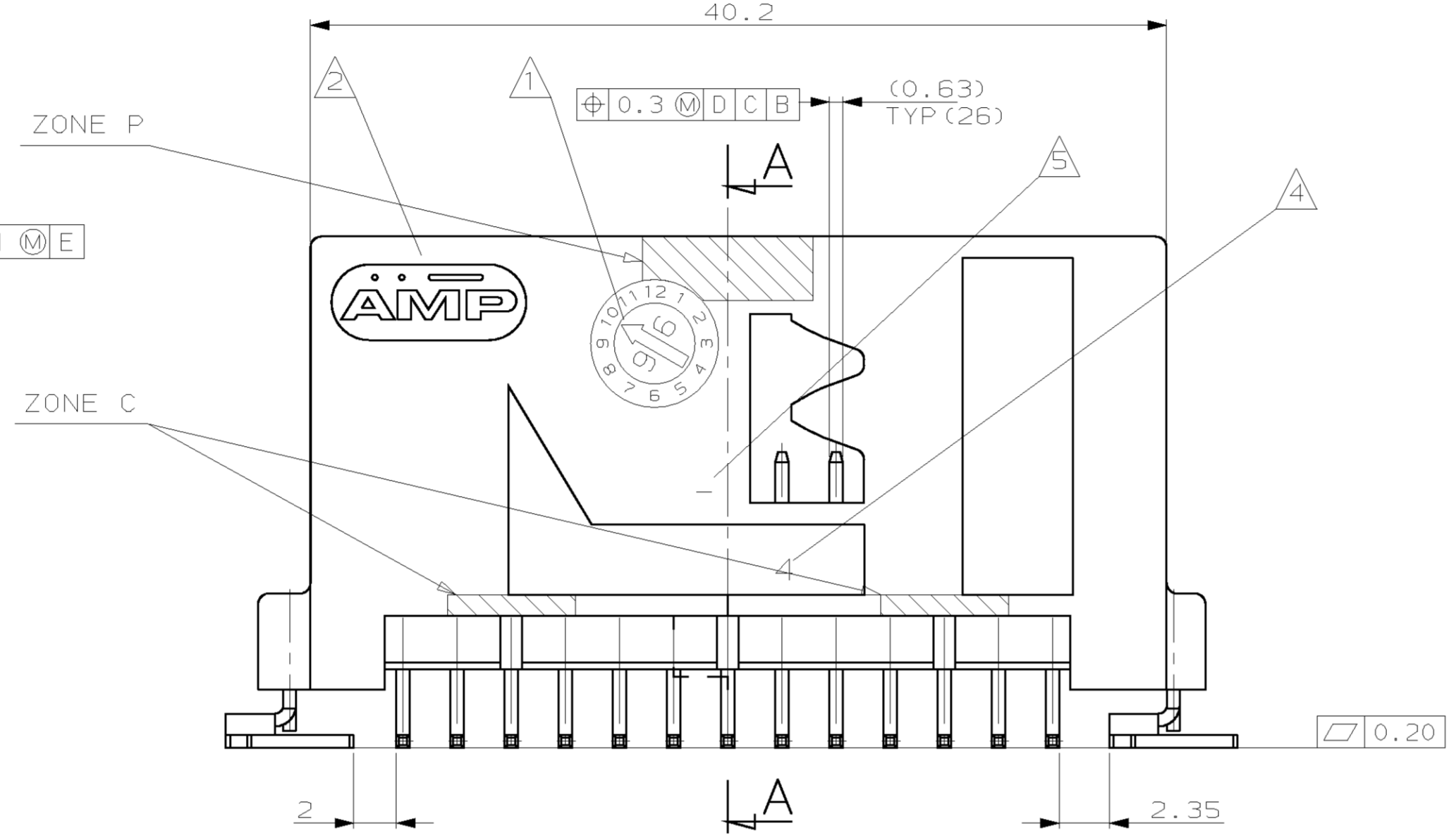
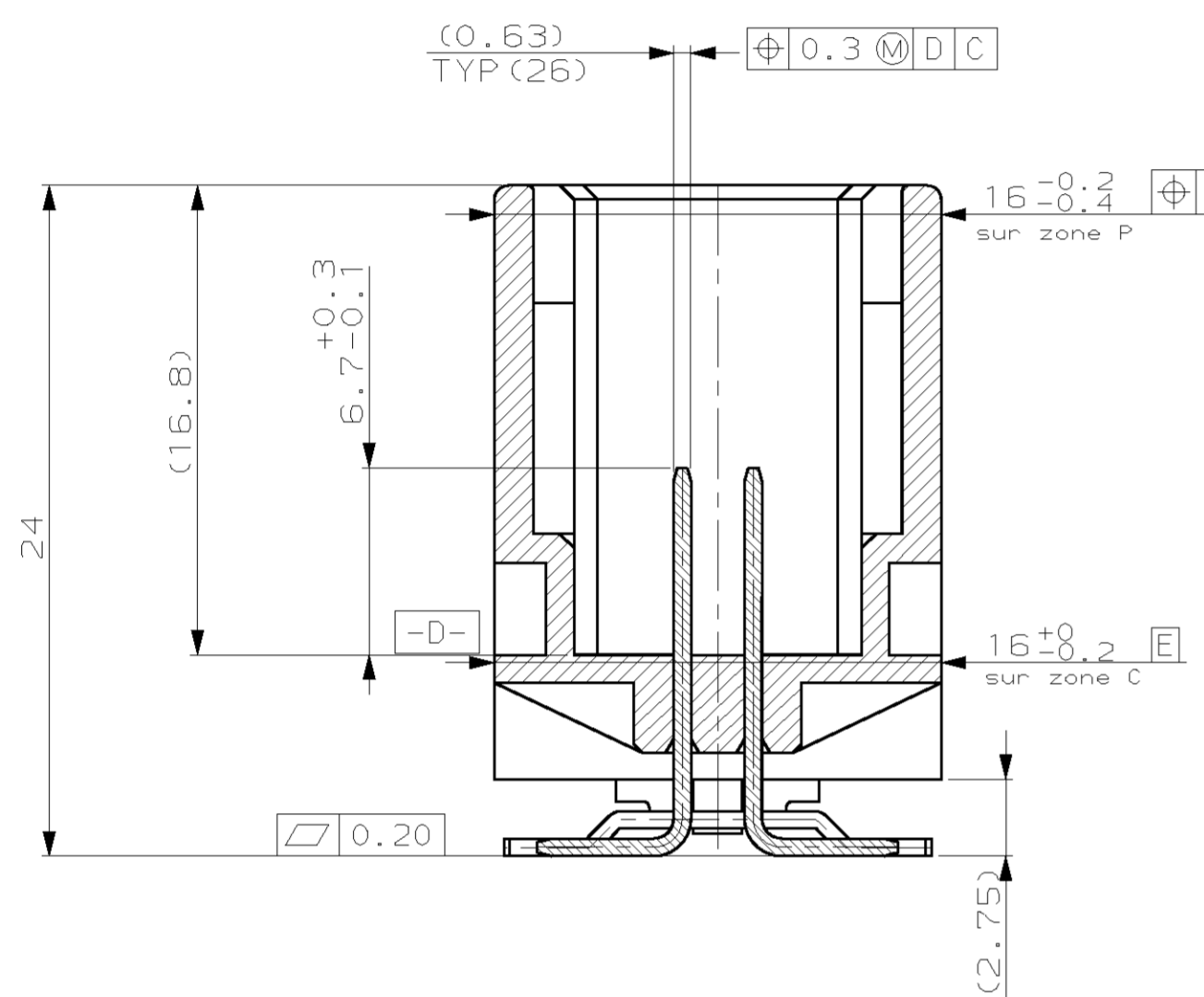
**INFORMATIONS CONDITIONNEMENT :**  
**ZONE P :** ZONE DE PRISE POUR POSE  
 8 x 3 mm CENTREE SUR AXE PIECE  
**ZONE C :** ZONE DE CENTRAGE SUR PLATEAU  
 2 FOIS 6 X 1 mm CENTREE SUR AXE NERVURES

**Packaging information :**  
**Area P :** area for picking  
 8 x 3 mm centered on part axis  
**Area C :** area for positioning on tray  
 2 times 6 x 1 mm centered on ribs

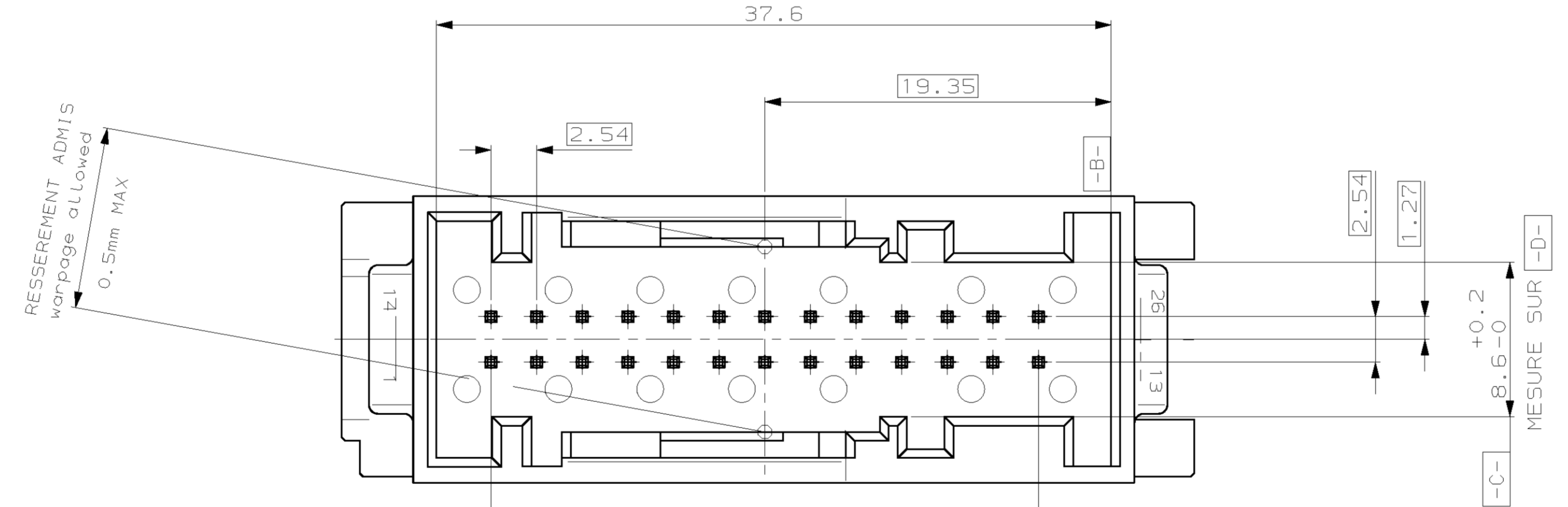


**SECTION A-A**  
(COUPE A-A)

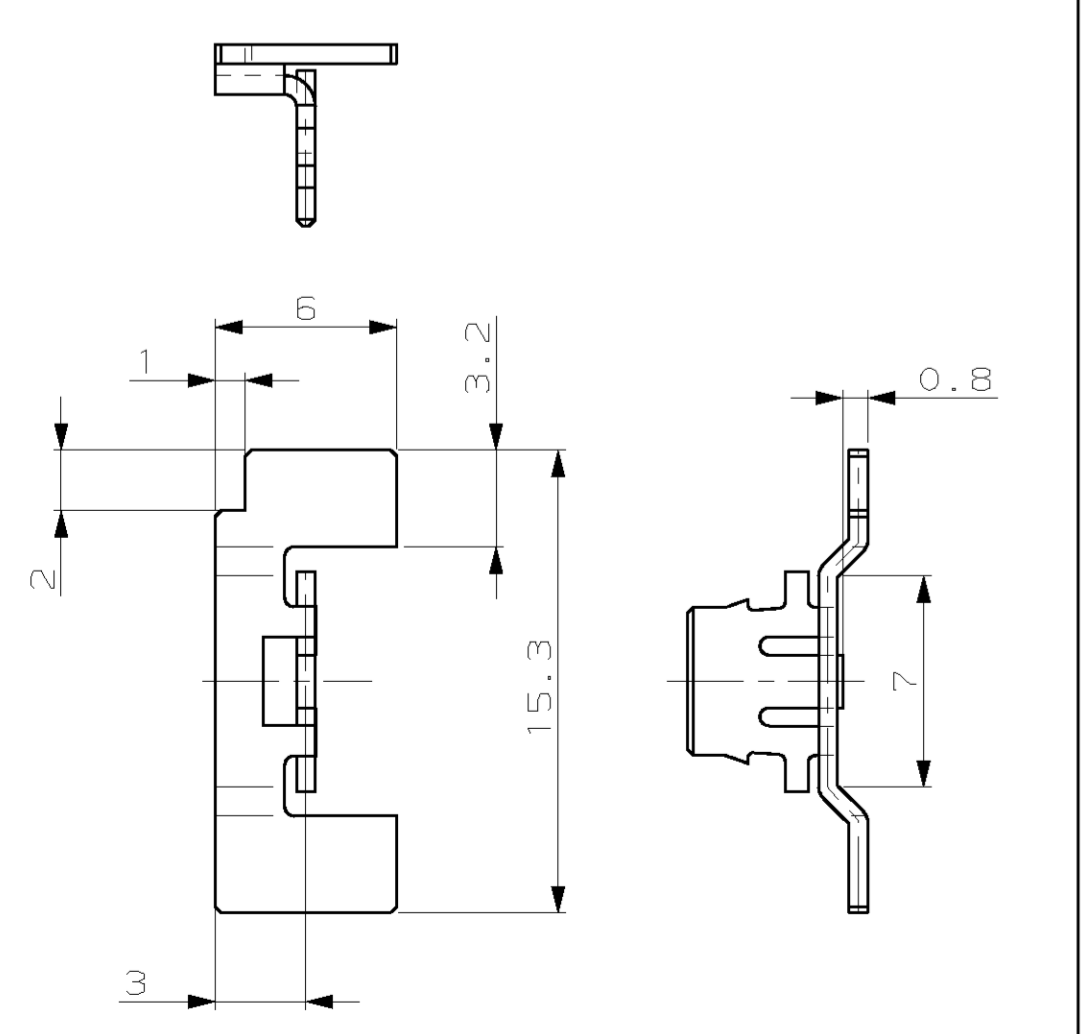
**NOTES:**  
 1 DATE DE MOULAGE  
 2 LOGO D'AMP  
 3 REFERENCE DU PRODUIT ASSEMBLE  
 4 N° D'EMPREINTE DU MOULE  
 5 INDICE DE REVISION DU MOULE :  
 6 MATIERE : PCT GF 30



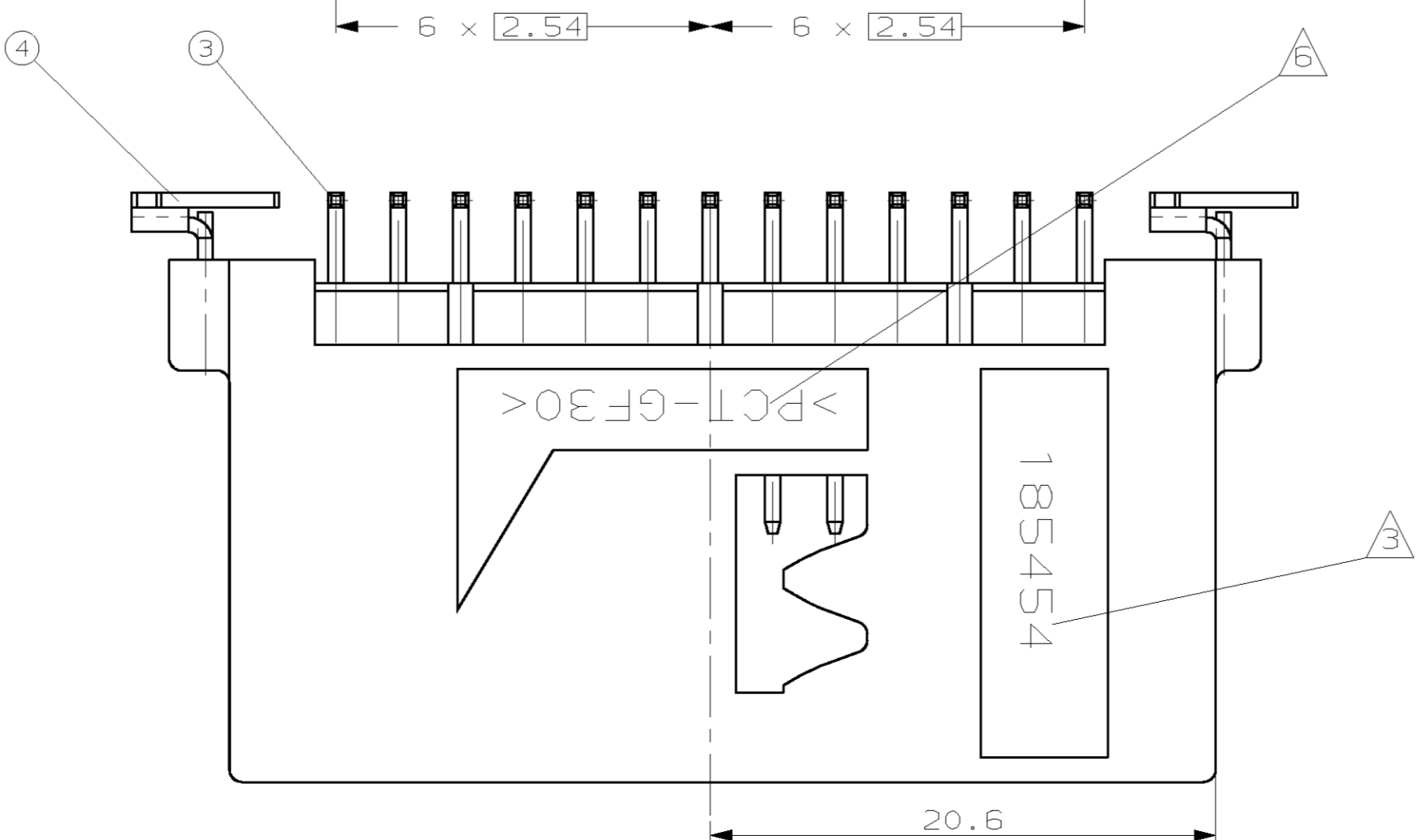
**NOTES:**  
 1 DATE CODE  
 2 AMP LOGO  
 3 ASSY PART NUMBER  
 4 MOLD CAVITY MARKING  
 5 MOLD REVISION STATUS  
 6 MATERIAL : PCT GF 30



SEE OTHER VERSION BY QUANTITY ON SHEET 2/2



**DEFINITION DE PATTE DE RETENTION**  
design of the solder clip

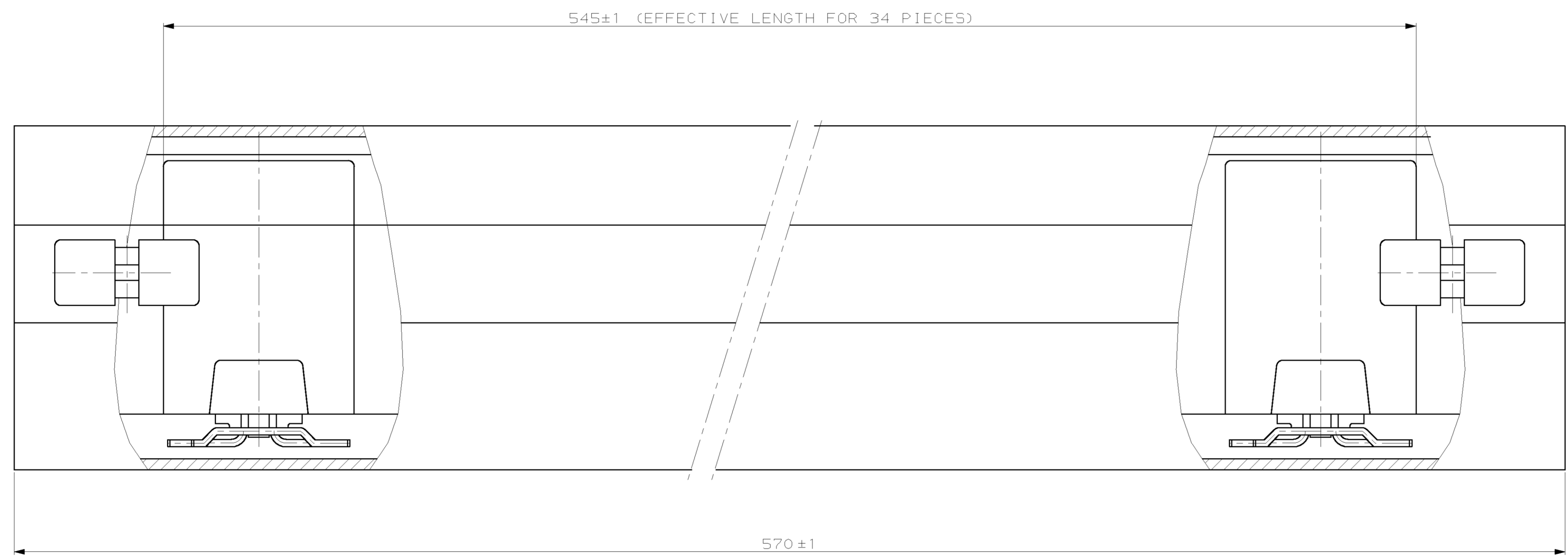
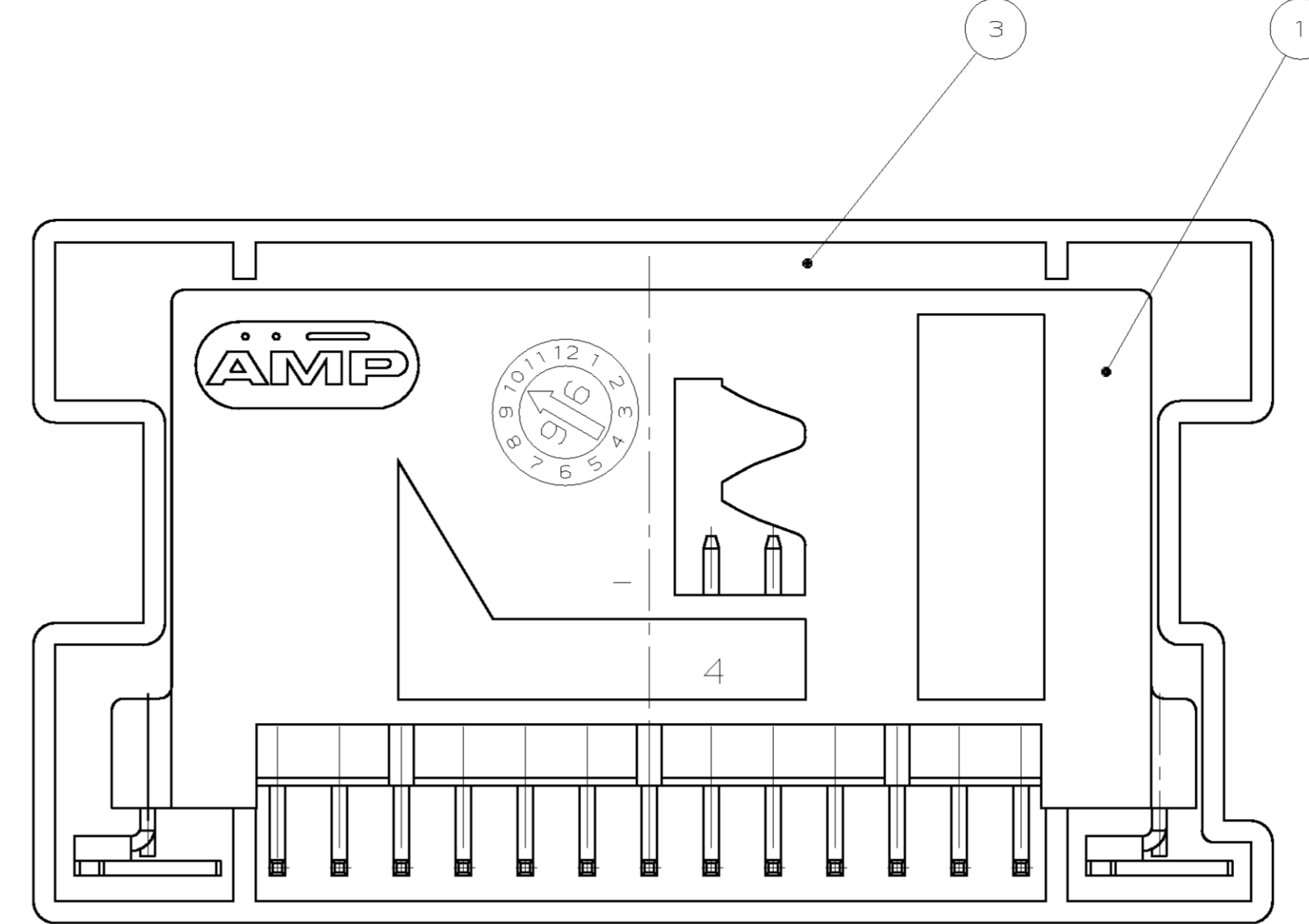
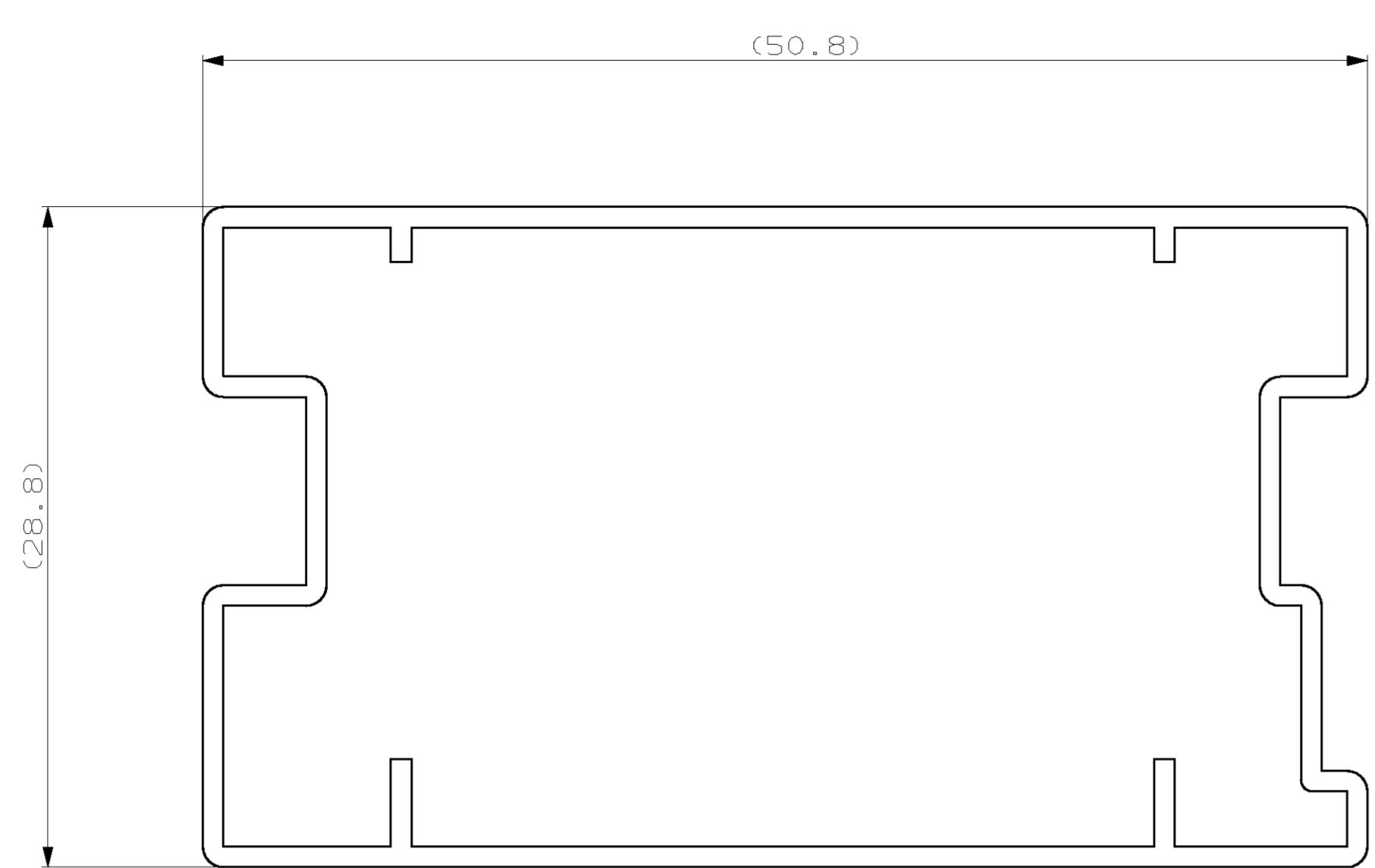


185454-1 AS SHOWN

REF / ASSY PN	DESCRIPTION	COLOR	P/N ASS'Y (reference-ensemble)
185454-1	BLUE (bleu)	185454-2	
185454-2	YELLOW (jaune)	185454-1	
	CODING (Detrompage)	COLOR (Couleur)	P/N ASS'Y (reference-ensemble)
2	2 CuZn30	PATTE / SOLDER CLIP	POST ETAME / POST TIN (4)
26	26 CuSn6	MQS CONTACT	POST ETAME / POST TIN (3)
-	1 PCT GF30	BOITIER / HOUSING	BLEU / BLUE (2)
1	- PCT GF30	BOITIER / HOUSING	JAUNE / YELLOW (1)
QTY	MATERIAL	DESIGNATION / NAME	COULEUR / COLOR

THIS DRAWING IS A CONTROLLED DOCUMENT. CE PLAN EST UN DOCUMENT CONTROLE.		DWN/DSSINE: Dominick DURAND 05-SEP-97 CHK/VERIFIE: D. DURAND 17-NOV-95		AMP DE FRANCE 95301 PONTOISE	
DIMENSIONS: mm		TOLERANCES UNLESS OTHERWISE SPECIFIED: TOLERANCES NON SPECIFIEES (SUIV. NB. DE DECIMALES): 0.15/DEC: ±0.2 0.15/DEC: ±0.3 0.15/DEC: ±0.4		AMP LOGO	
MATERIAL: MATIERE		FINISH FINITION: Voir tableau		CUSTOMER DRAWING/PLAN CLIENT POUR REFERENCE	
PRODUCT SPEC: PRODUCT SPEC: 107-15171		APPLICATION SPEC: APPLICATION SPEC: 107-15343		WEIGHT: MASSE APPROX. 8.9g	
SIZE: FORMAT: A1		CASE CODE: DRAWING NO: 00779		SCALE: ECHELLE: 4:1	
RESTRICTED TO: -		SHEET: FEUILLE: 1 DE 2		REV: H	

LOC		DIST		REVISIONS				
F	7	LF	REV	DESCRIPTION	DATE	OWN	APPR	
-	-	-	-	MODIFICATIONS	-	-	-	
-	-	-	-		-	-	-	
-	-	-	-		-	-	-	



CONNECTORS PACKAGED IN TUBES

REF / QTTY	6-185454-1	6-185454-2
1	1	1
-	34	34

SEE OTHER VERSIONS ON SHEET 1/2

QTY	COLOR / COULEUR	REF / ASSY PN	COMPONENT	REP.
1	CLEAR + GREEN PINS	-	EQUIPED PACKING TUBE (3)	
-	34 BLUE / BLEU	185454-2	26W PIN HEADER (2)	
34	- YELLOW / JAUNE	185454-1	26W PIN HEADER (1)	

THIS DRAWING IS A CONTROLLED DOCUMENT. CE PLAN EST UN DOCUMENT CONTROLÉ.		DW/DESSINE J. LAQUERBE 17-JUN-02		AMP DE FRANCE	
DIMENSIONS: mm		CHK/VERIFIE J. BEVIL		95301 PONTOISE	
TOLERANCES UNLESS OTHERWISE SPECIFIED: TOLERANCES NON SPECIFIEES (SUIV. NB. DE DECIMALES): D.P.L.C./DEC: ±0.2 P.P.L.C./DEC: ±0.3 S.P.L.C./DEC: ±0.4 H.P.L.C./DEC: ±0.5		APPROVE J. BEVIL		NAME EMBASE 26 VOIES CMS 26 WAY SMT HEADER	
MATERIAL MATERIE		FINISH FINITION		SIZE A1	
Voit tableau		WEIGHT MASSE APPROX.:		DRAWING NO 00779	
		ANGLE: 45°		SCALE Echelle: 4:1	
		RESTRICTED TO		SHEET OF FEUILLE 2 DE 2	
		CUSTOMER DRAWING/PLAN CLIENT		REV H	