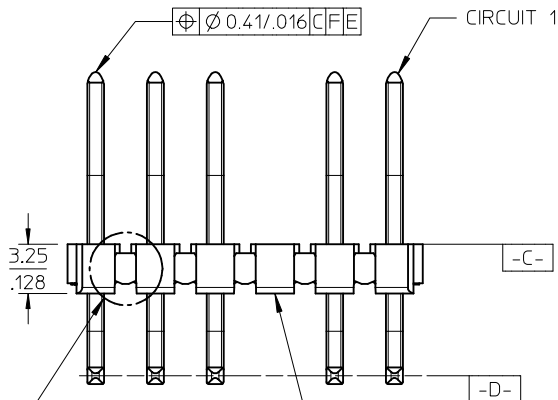


DETAIL Z

| CIRCUIT | B | A |
|---------|----------------|----------------------------|
| 2 | 3.96 .156 | 6.78/7.87 .267/3.10 |
| 3 | 7.92 .312 | 10.74/11.84 .423/4.66 |
| 4 | 11.89 .468 | 14.71/15.80 .579/6.22 |
| 5 | 15.85 .624 | 18.67/19.76 .735/7.78 |
| 6 | 19.81 .780 | 22.63/23.72 .891/9.34 |
| 7 | 23.77 .936 | 26.59/27.69 1.047/1.090 |
| 8 | 27.74 1.092 | 30.56/31.65 1.203/1.246 |
| 9 | 31.70 1.248 | 34.52/35.61 1.359/1.402 |
| 10 | 35.66 1.404 | 38.48/39.57 1.515/1.558 |
| 11 | 39.62 1.560 | 42.44/43.54 1.671/1.714 |
| 12 | 43.59 1.716 | 46.41/47.50 1.827/1.870 |
| 13 | 47.55 1.872 | 50.37/51.46 1.983/2.026 |
| 14 | 51.51 2.028 | 54.33/55.42 2.139/2.182 |
| 15 | 55.47 2.184 | 58.29/59.39 2.295/2.338 |
| 16 | 59.44 2.340 | 62.26/63.35 2.451/2.494 |
| 17 | 63.40 2.496 | 66.22/67.31 2.607/2.650 |
| 18 | 67.36 2.652 | 70.18/71.27 2.763/2.806 |
| 19 | 71.32 2.808 | 74.14/75.23 2.919/2.962 |
| 20 | 75.29 2.964 | 78.11/79.20 3.075/3.118 |
| 21 | 79.25 3.120 | 82.07/83.16 3.231/3.274 |
| 22 | 83.21 3.276 | 86.03/87.12 3.387/3.430 |
| 23 | 87.17 3.432 | 89.94/91.08 3.541/3.586 |
| 24 | 91.14 3.588 | 93.85/95.00 3.695/3.740 |

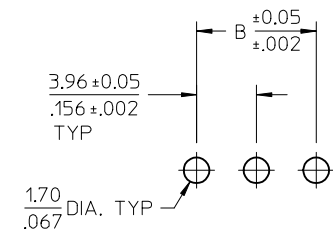
NOTES:

- MATERIAL: GLASS FILLED POLYESTER, 94V-0, MOLDED BLACK
- FINISH:
 - (197) OVERALL REFLOWED MATTE TIN: 0.00152/0.00060 MIN. OVER 0.00127/0.00050 MIN. NICKEL OVERALL.
 - (208) SELECT GOLD: 0.00038/0.00015 MIN. SELECT TIN: 0.00254/0.00100 MIN. OVERALL NICKEL UNDERPLATE: 0.00127/0.00050 MIN.
 - (228) SELECT GOLD: 0.00076/0.00030 MIN. SELECT TIN: 0.00254/0.00100 MIN. OVERALL NICKEL UNDERPLATE: 0.00127/0.00050 MIN.
- PRODUCT SPECIFICATION: PS-08-50.
- PACKAGING INFORMATION: SEE CHARTS
- SOLDERABILITY: PER SMES-152.
- PIN PUSH-OUT FORCE: PRIOR TO SOLDERING, A 3 LB. MINIMUM FORCE (IN EITHER DIRECTION) SHALL BE REQUIRED TO PUSH THE PIN OUT OF THE HEADER.
- PARTS ARE STACKABLE END TO END ON 3.96/156 CENTERS. (SPACING TABS MUST BE REMOVED ON CIRCUIT SIZES 1-23 BEFORE PARTS ARE STACKABLE.)
- THIS PART CONFORMS TO CLASS B REQUIREMENTS OF COSMETIC SPECIFICATION PS-45499-002.



SEE DETAIL Z

OPTIONAL VOIDED CIRCUIT
SEE CHART FOR LOCATION



PCB LAYOUT: COMPONENT SIDE
RECOMMENDED PCB THICKNESS:
(1.57 ± .18) / .062 ± .007

| RELEASED EC NO: UCP2014-0747 DRWN:MKIPPER 2013/08/15 CHKD:JBELL 2013/08/16 APPR:FSMITH 2013/09/13 | QUALITY SYMBOLS ▽ = 0 ▽ = 0 ▽ = 0 | GENERAL TOLERANCES (UNLESS SPECIFIED) | | DIMENSION STYLE | | SCALE | DESIGN UNITS | THIRD ANGLE PROJECTION | | | |
|---|--|---------------------------------------|--------|--|---------------------------|--------------------|---|------------------------|--|---|---------------------|
| | | mm | INCH | MM/IN | 2:1 | INCH | | | | | |
| A | REV | 4 PLACES | ± --- | ± --- | DRAWN BY MKIPPER | DATE 2013/08/15 | TITLE KK (3.96)/.156 RIGHT ANGLE BREAKAWAY HEADER ASSEMBLY | | | | |
| | | 3 PLACES | ± --- | ± .010 | CHECKED BY JBELL | DATE 2013/08/16 | | | | | |
| | | 2 PLACES | ± 0.25 | ± .014 | APPROVED BY FSMITH | DATE 2013/09/13 | | | | | |
| | | 1 PLACE | ± 0.36 | ± --- | MATERIAL NO. SEE CHART | | | | | DOCUMENT NO. SD-172173-0001 | SHEET NO. 1 OF * |
| | | 0 PLACE | ± --- | ± --- | SIZE A | | | | | THIS DRAWING CONTAINS INFORMATION THAT IS PROPRIETARY TO MOLEX INCORPORATED AND SHOULD NOT BE USED WITHOUT WRITTEN PERMISSION | |
| | | ANGULAR ±1/2° | | DRAFT WHERE APPLICABLE MUST REMAIN WITHIN DIMENSIONS | | | | | | | |