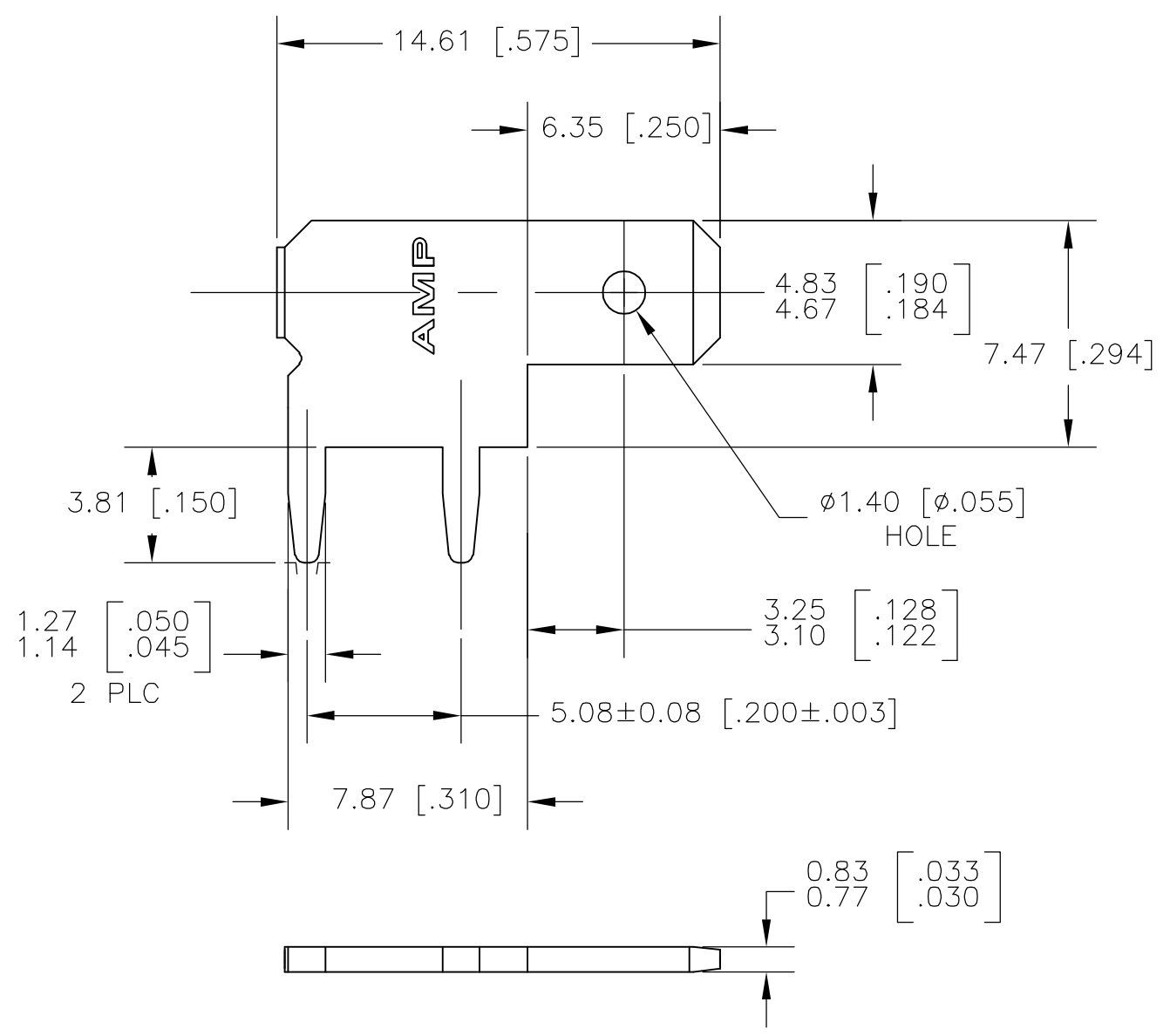
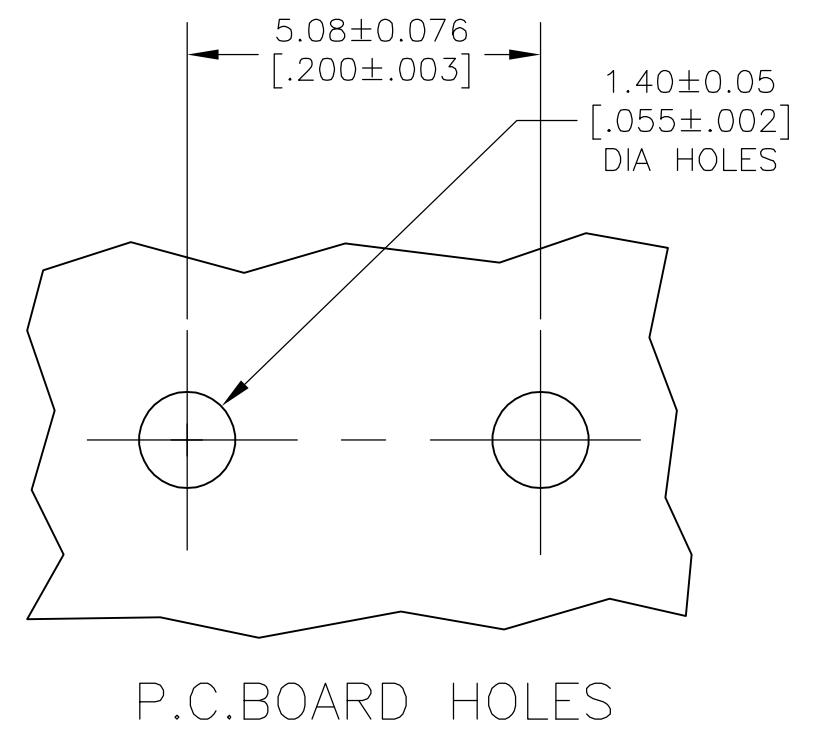


THIS DRAWING IS UNPUBLISHED. RELEASED FOR PUBLICATION --
 © COPYRIGHT BY TYCO ELECTRONICS CORPORATION. ALL RIGHTS RESERVED.

LOC	DIST	REVISIONS					
AF	50	P	LTR	DESCRIPTION	DATE	DWN	APVD
			C	REV PER ECR-05-017407	12APR06	HMR	KR



1 SUPPLIED IN LOOSE PIECE AFTER PLATING.
 2 0.00381 [.000150] MIN TIN OVER
 0.00127 [.000050] MIN NICKEL.



1217756-1
 PART NO.

THIS DRAWING IS A CONTROLLED DOCUMENT.		DWN	JR RUTH	13NOV01	 Tyco Electronics Corporation Harrisburg, PA 17105-3608
DIMENSIONS: mm [INCHES]		CHK	N DEIBERT	13NOV01	
		APVD	N DEIBERT	13NOV01	
TOLERANCES UNLESS OTHERWISE SPECIFIED:		PRODUCT SPEC		NAME	
0 PLC ± - 1 PLC ± - 2 PLC ± 0.25 [.010] 3 PLC ± - 4 PLC ± - ANGLES ± -		APPLICATION SPEC		TAB, FASTON, 4.75 [.187] SERIES	
MATERIAL		WEIGHT		SIZE	RESTRICTED TO
082 BRASS		-		A3 00779	-
FINISH		CUSTOMER DRAWING		DRAWING NO	SCALE
2				C-1217756	5:1
				SHEET	REV
				1 OF 1	C