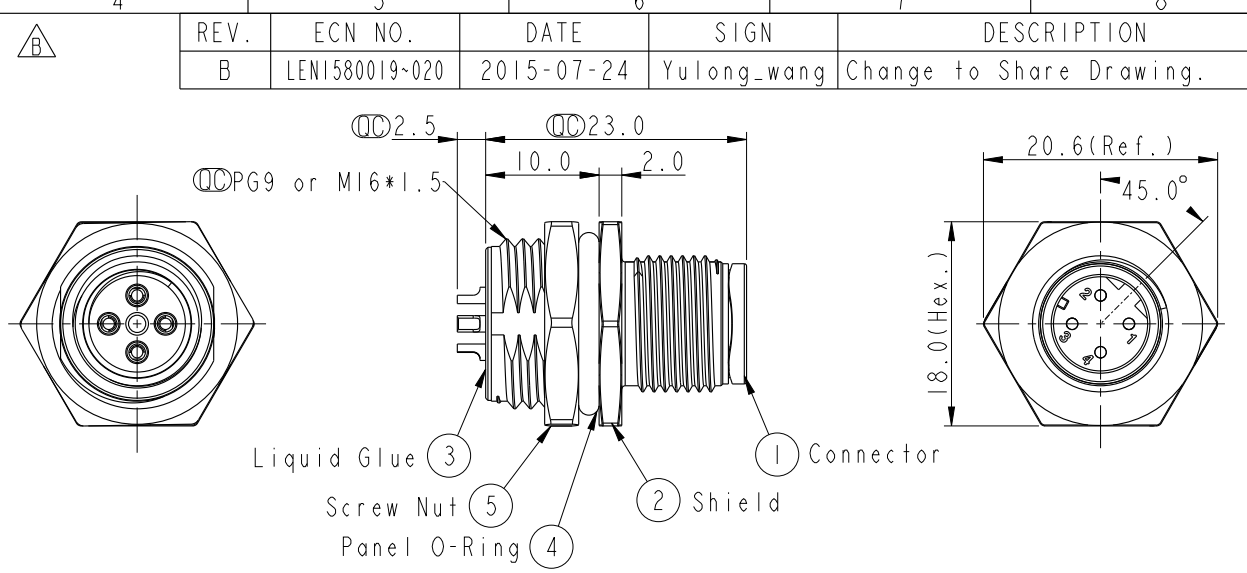
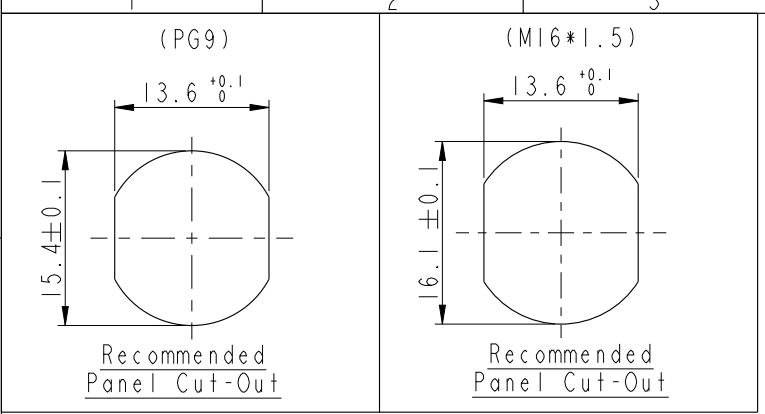


THIS DOCUMENT IS SUBJECT TO CHANGE WITHOUT NOTICE. IT IS CONFIDENTIAL AND A PROPERTY OF Amphenol LTW. DISCLOSURE TO THIRD PARTY HAS TO BE AUTHORIZED BY Amphenol LTW.

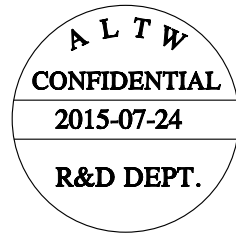
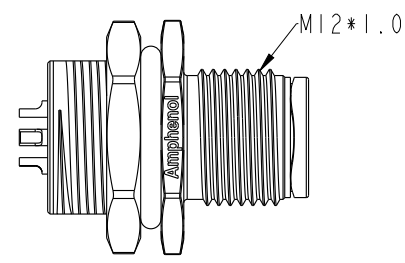
REV.	ECN NO.	DATE	SIGN	DESCRIPTION
B	LEN1580019-020	2015-07-24	Yulong_wang	Change to Share Drawing.



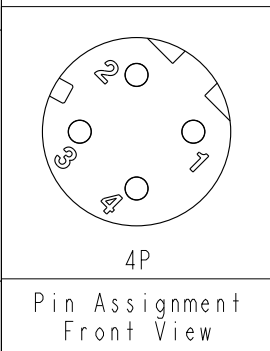
M 12D - 04 P M M S - S H 8 XXX

12D: D-Code
 04: 4Pin
 P: Panel (板端)
 M: Male Connector (公座)
 M: Male Pin (公Pin)
 S: Solder Type (焊接式)

001: PG9
 002: M16*1.5
 8: IP68 (防水等級68)
 H: Rear Fasten (后鎖式/Enclosure Front Mount)
 S: Screw (螺紋式)



- Note:
- * ⌀ Important Dimension.
 - * Waterproof Rate: IP68.
 - * Housing: Nylon+GF, Black.
 - * Male Pin: Copper Alloy, Gold Plated.
 - * Shield: Zinc Alloy, Nickel Plated.
 - * Screw Nut: Zinc Alloy, Nickel Plated.
 - * Panel O-Ring: Viton, Black.
 - * Rated Voltage: 250V dc. or ac.
 - * Rated Current: 4A
 - * Operating Temperature: -40~105°C
 - * For Panel Thickness Max 4.5mm.
 - * Recommended Nut Torque: 4-6 Kgf.cm.



UNIT: mm		TITLE M12 D-Code Male Conn. Solder Rear Type			ITEM NO DWG NO CUSTOMER	DRAWN BY Yulong_wang	DATE 2015-07-24
		SCALE 2:1	SIZE A4	SHEET 1 OF 1			
TOLERANCE .X ±0.25 .XX ±0.1 .XXX ±0.05 ANGLES ±1°		REV. B	WC-REV. A.5	Inspection item	ALTW	APPROVED BY Jerry	DATE 2015-07-24

Amphenol LTW
 安費諾亮泰企業股份有限公司