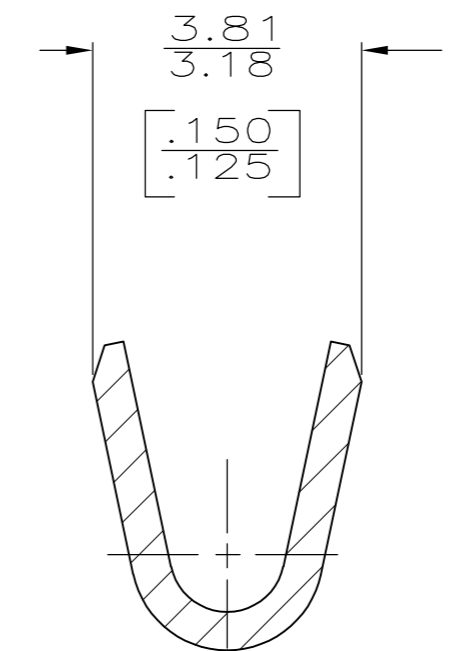
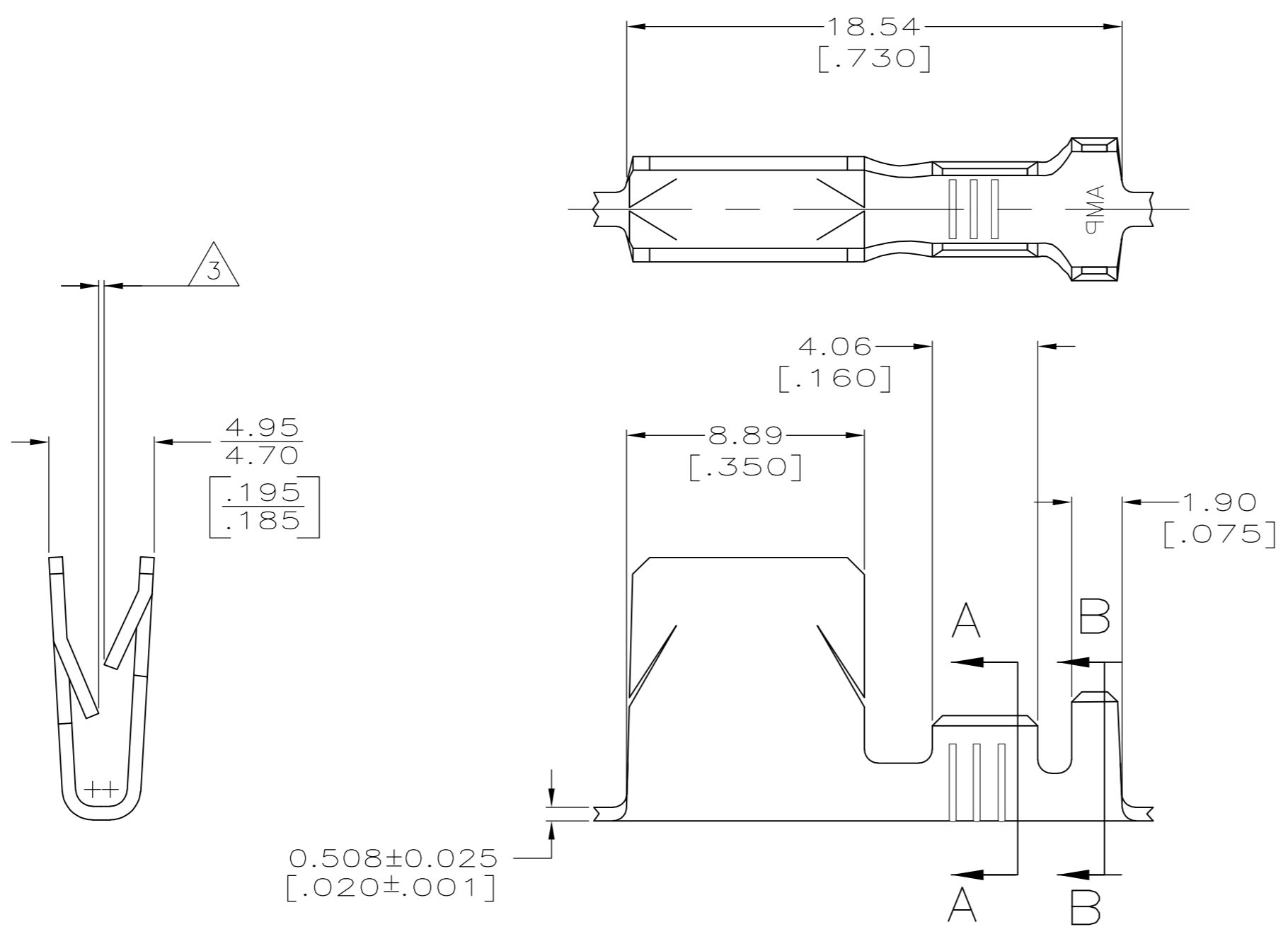


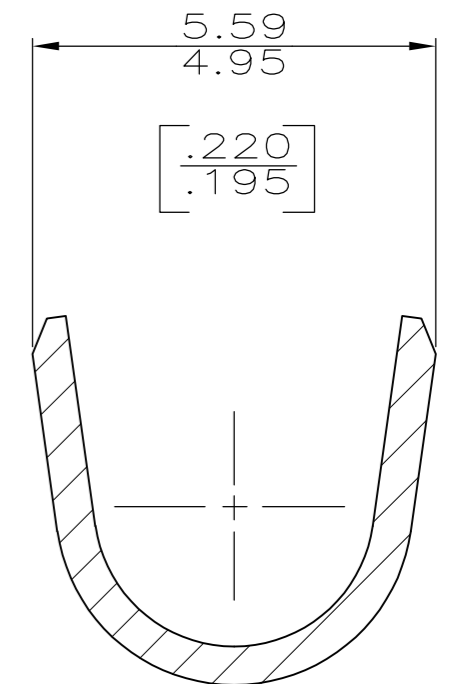
THIS DRAWING IS UNPUBLISHED. RELEASED FOR PUBLICATION
 © COPYRIGHT BY TYCO ELECTRONICS CORPORATION. ALL RIGHTS RESERVED.

LOC		DIST		REVISIONS			
P	LTR	DESCRIPTION		DATE	DWN	APVD	
AF	50	F1	REVISED PER ECO 10-015396		30JUL10	JR	SM

- 1 CONTINUOUS STRIP ON REEL.
- 2 ACCOMODATES A PANEL THICKNESS RANGE FROM 1.19 [.047] TO 1.45 [.057].
- △ 0.76/0.51 [.030/.020] GAP BETWEEN TINES.



SECTION A-A
SCALE 10:1



SECTION B-B
SCALE 10:1

1217012-1
PART NO.

THIS DRAWING IS A CONTROLLED DOCUMENT.		DWN 19JAN2005 MICHAEL S. FEHER	Tyco Electronics Corporation Harrisburg, Pa 17105-3608	
DIMENSIONS: MM [INCHES]		CHK 19JAN2005 EDWARD HOWARD	NAME -	
TOLERANCES UNLESS OTHERWISE SPECIFIED:		APVD 19JAN2005 EDWARD HOWARD	PRODUCT SPEC -	
0 PLC ± -		APPLICATION SPEC -	SIZE A2	CAGE CODE 00779
1 PLC ± -		WEIGHT -	DRAWING NO C=1217012	RESTRICTED TO -
2 PLC ± 0.25 [.010]		CUSTOMER DRAWING		
3 PLC ± -		SCALE 5:1 SHEET 1 OF 1 REV F1		
4 PLC ± -				
ANGLES ± -				
FINISH -				
MATERIAL 1/4 HARD STAINLESS STEEL				