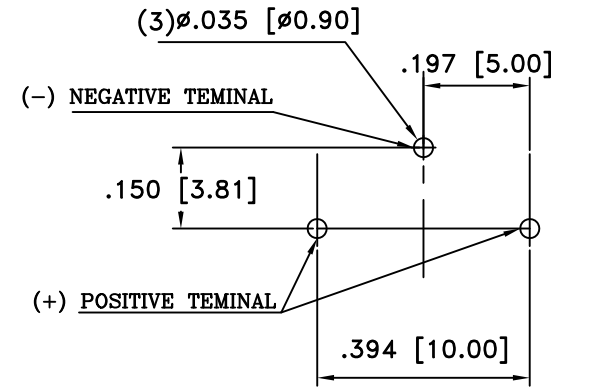
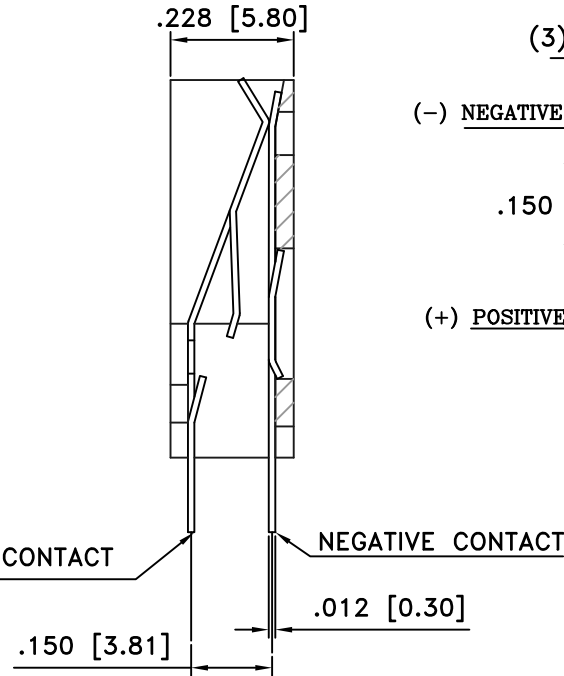
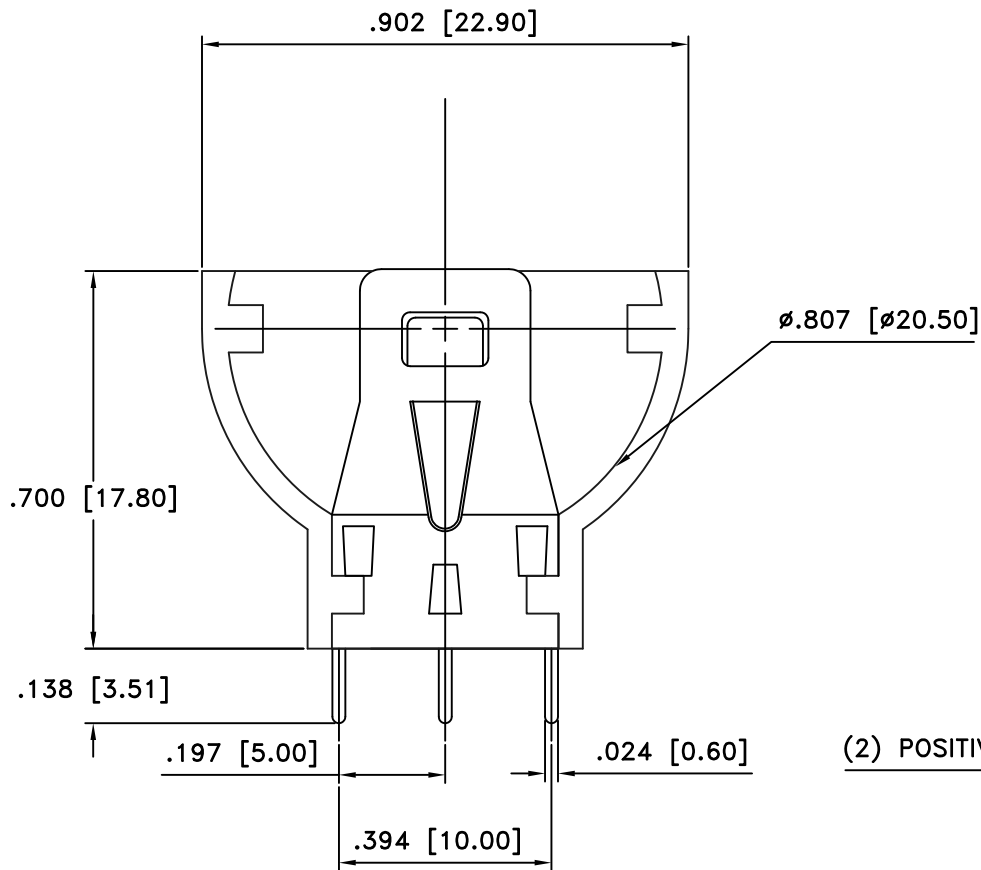


Date	SYM	REVISION RECORD	AUTH	DR.	CK.
9/23/06	B	DELETED DIM. 0.960 [24.4]	T.B.	B.S.	
11/11/06	C	ADDED UL FILE NO.	T.B.	B.S.	
3/10/07	D	30% GLASS FILLED WAS 33%	T.B.	B.S.	
07/29/11	E	MATERIAL NYLON 66 WAS FR-NYLON	T.B.	B.S.	



PCB HOLE LAYOUT

MATERIAL

BODY: NYLON 66 WITH 30% GLASS FILLED, UL FILE NO. E196894

FLAMMABILITY RATING: UL94V-0

CONTACT: PHOSPHOR BRONZE

FINISH

CONTACT: NICKEL PLATED

SPECIFICATIONS

APPLICATION FOR 3V LITHIUM BATTERY


INSULATOR RESISTANCE: 5000 M MIN.

OPERATION TEMPERATURE: -40°C TO +200°C

DURABILITY: 50 CYCLES MIN

CONTACT RESISTANCE: 30 M MAX

ROHS COMPLIANT

Tolerance (Except as noted)		Memory protection Devices, Inc	
		200 Broad Hollow Road, Farmingdale, New York 11735	
decimal ±.5 (.020)		Scale	Drawn By T.S.
		4=1	Approved By T.B.
Fractional ± .8 (.030)	Title		
	BR/CR 2032 VERTICAL LITHIUM BATTERY HOLDER		
Angular ± 3°	Date	Drawing Number	
	07/29/11	BS-5	