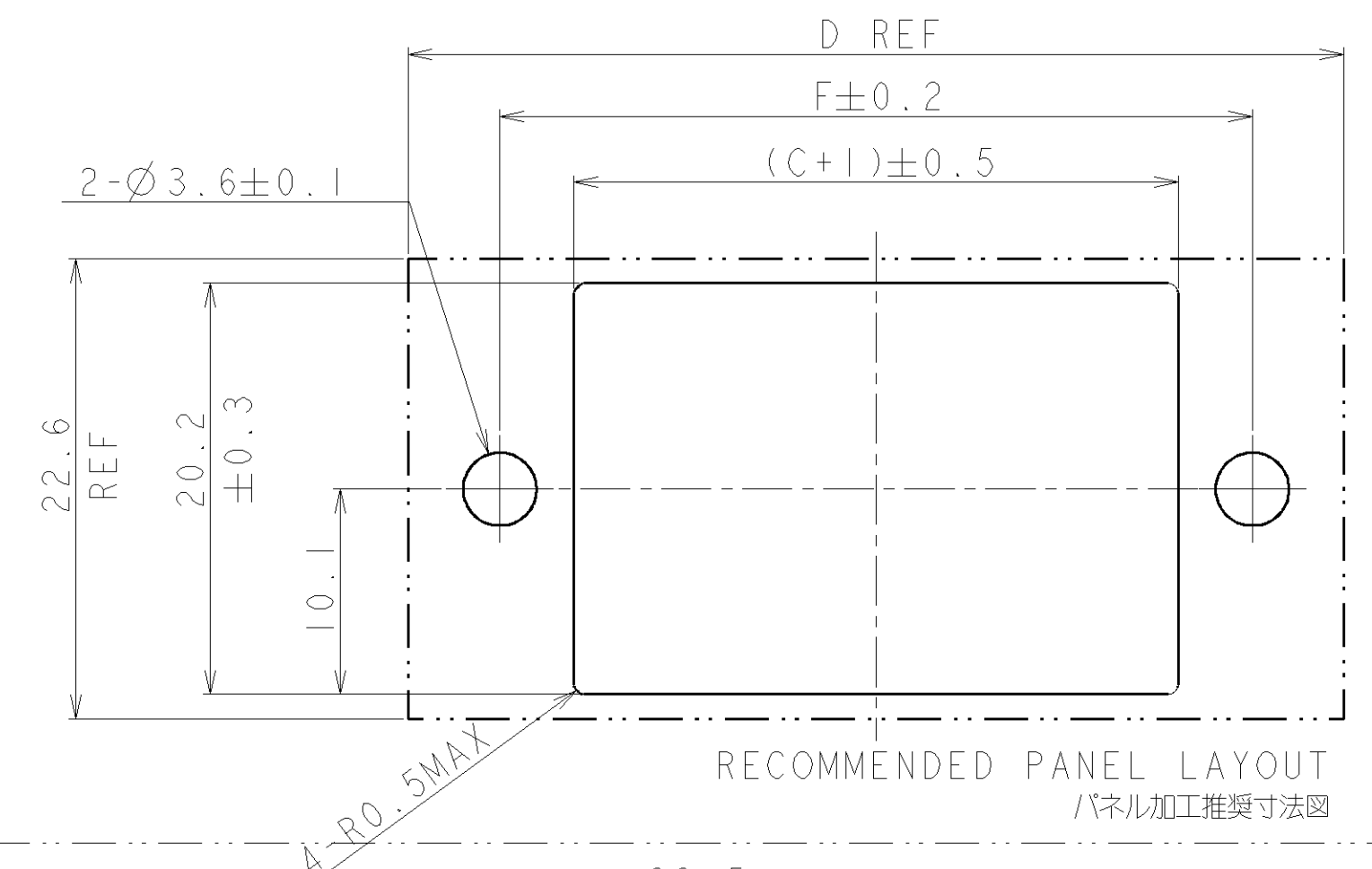
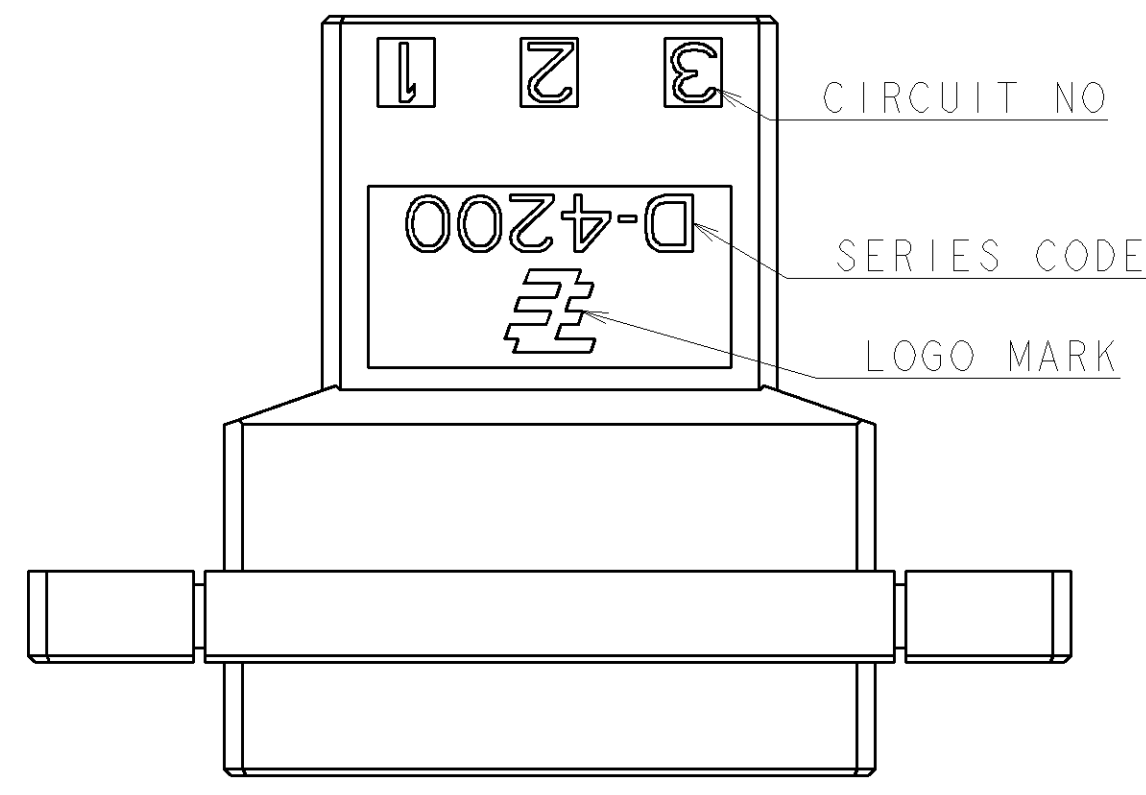


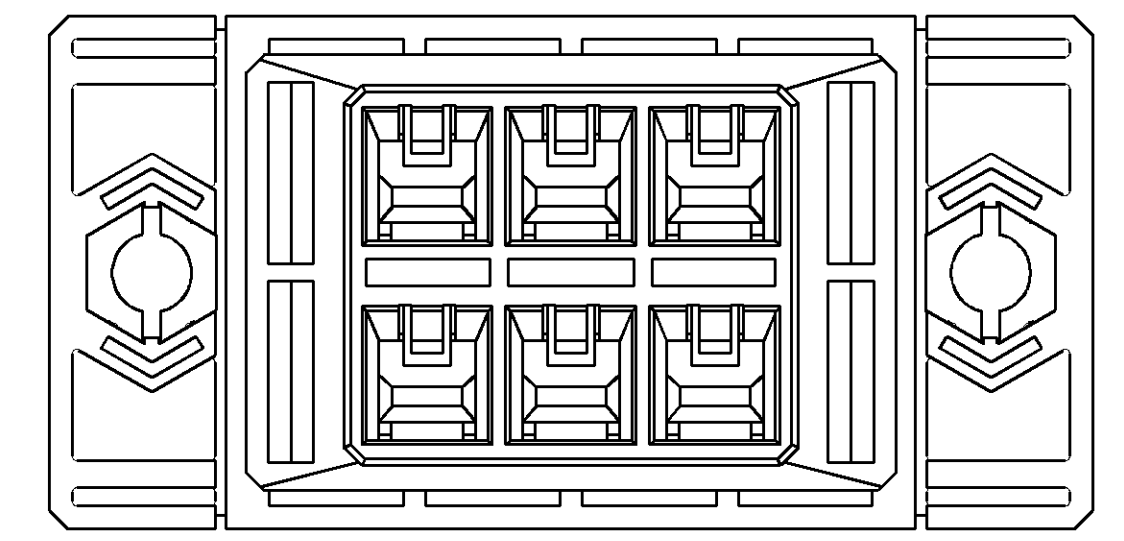
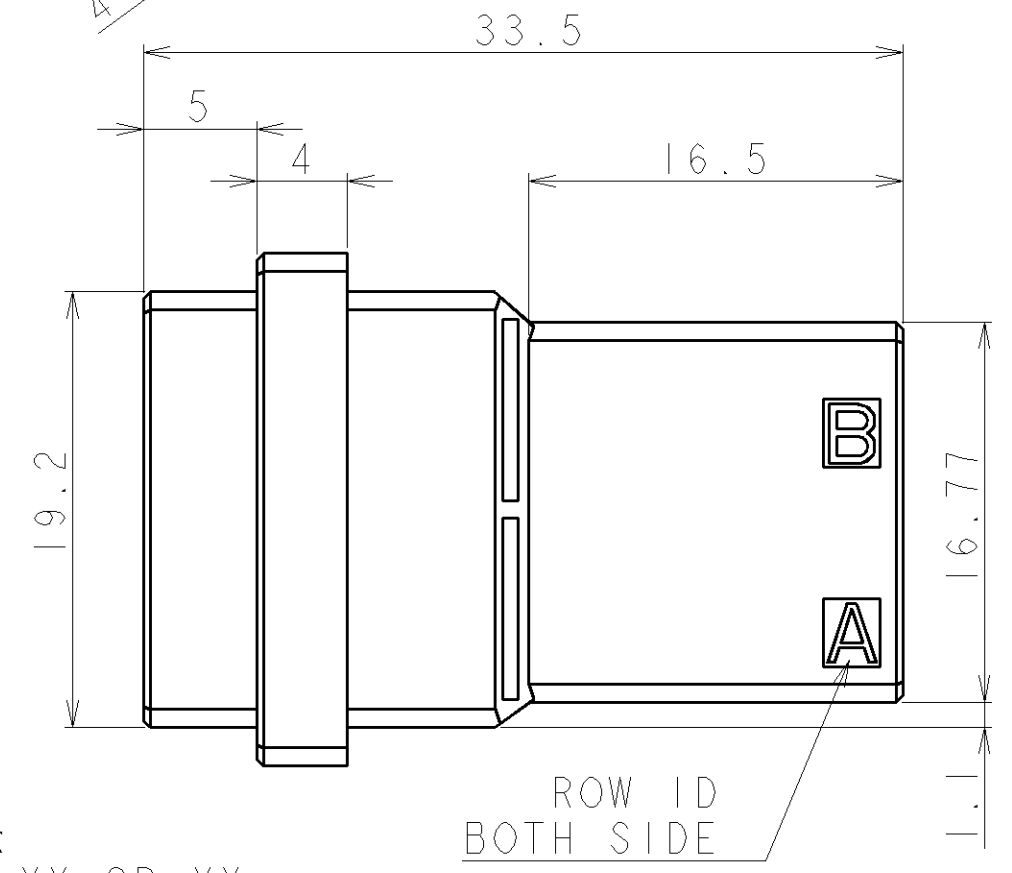
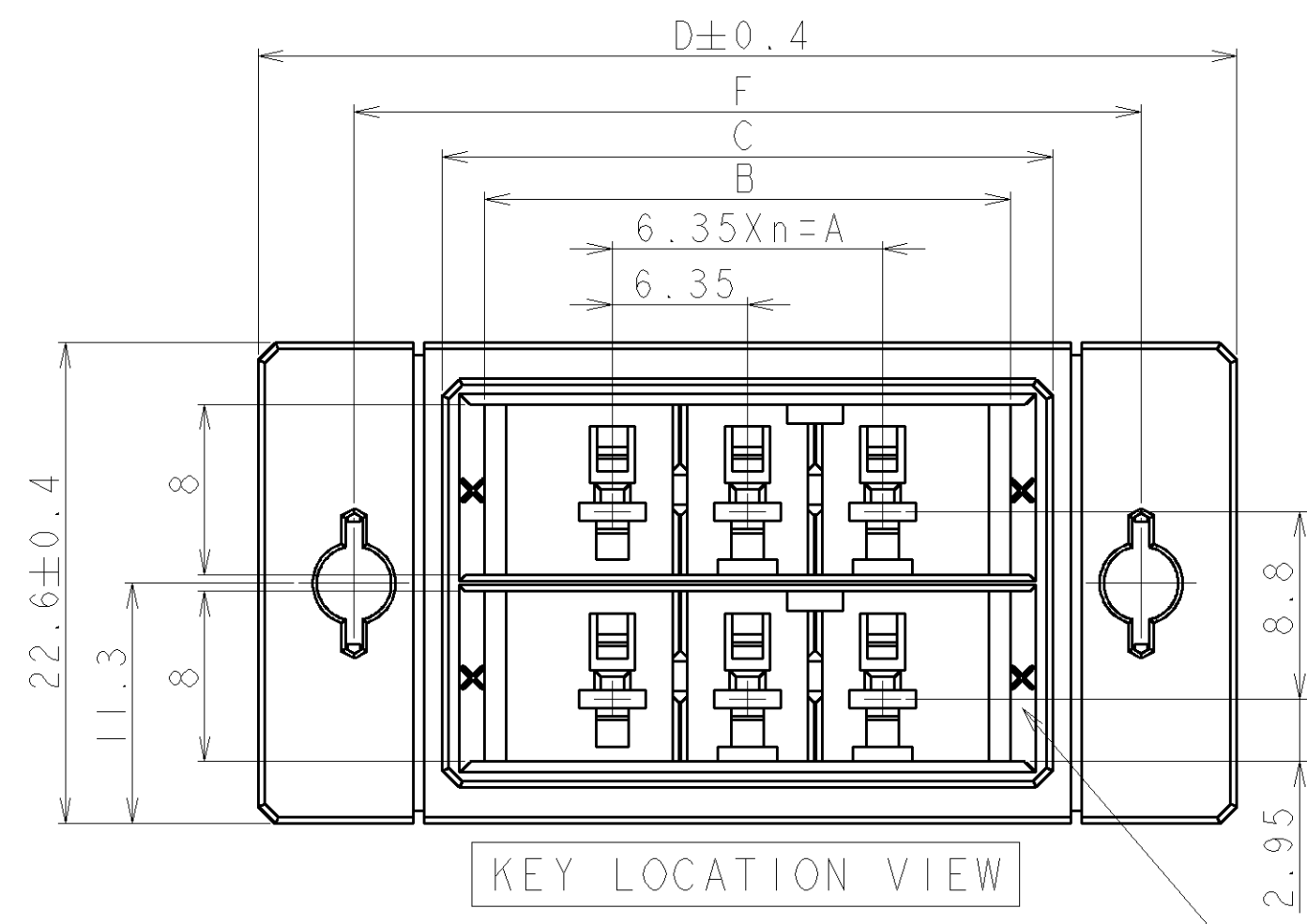
THIS DRAWING IS UNPUBLISHED. RELEASED FOR PUBLICATION 2006
 © COPYRIGHT 2006 BY TYCO ELECTRONICS CORPORATION. ALL INTERNATIONAL RIGHTS RESERVED.

LOC		DIST		REVISIONS			
P	LTR	DESCRIPTION	DATE	DWN	APVD		
	B	REVISED PER ECR-10-007266	20APR2010	HMR	T.M		



1. MATERIAL: GLASS FILLED THERMO PLASTIC POLYESTER(94V-0), COLOR: BLACK
2. PANEL ATTACHMENT RECOMMENDATION M3 SCREW
3. THE SHAPE, SIZE AND POSITION OF THE CHARACTER SHOW THE OUTLINE. THEY DON'T SHOW DETAILS.

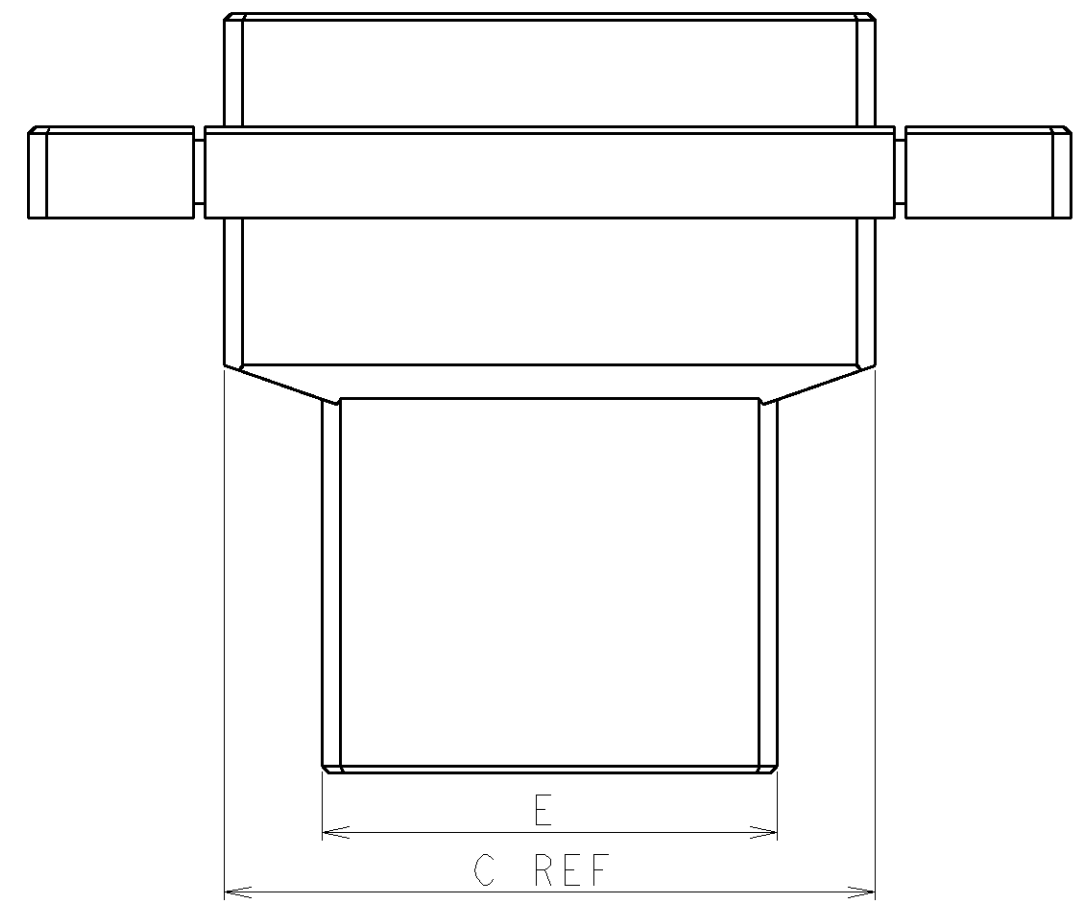
1. 材料: ガラス入り熱可塑性ポリエステル樹脂(94V-0), 色: 黒
2. パネル取り付け推奨ネジM3
3. 文字の形状、大きさ、および位置については、大略を示すものであり、詳細を示すものではありません。



KEYING:
 XX OR YY OR XY
 XX : 1- -□
 YY : 2- -□
 XY : 3- -□

AS SHOWN : 1-1903331-3(6POS:X-X KEY)

POS	n	A	B	C	D	E	F	KEY LOCATION	KEY	PART NUMBER
6	2	12.70	24.70	28.70	46.00	20.05	37.00		X-X	1-1903331-3
6	2	12.70	24.70	28.70	46.00	20.05	37.00		Y-Y	2-1903331-3
6	2	12.70	24.70	28.70	46.00	20.05	37.00		X-Y	3-1903331-3



THIS DRAWING IS A CONTROLLED DOCUMENT FOR TYCO ELECTRONICS CORPORATION IT IS SUBJECT TO CHANGE AND THE CONTROLLING ENGINEERING ORGANIZATION SHOULD BE CONTACTED FOR THE LATEST REVISION.		DWN M. MAEBASHI 01MAY2006 CHK T. KUDO 01MAY2006 APVD D. MITSUGI 01MAY2006	Tyco Electronics Corporation Kawasaki, Japan
DIMENSIONS: 単位: 概 mm	TOLERANCES UNLESS OTHERWISE SPECIFIED: 一般公差 ±0.3, ±3° 0-PLC ± 1-PLC ± 2-PLC ± 3-PLC ± 4-PLC ± ANGLES ± FINISH 仕	PRODUCT SPEC 108-78182 APPLICATION SPEC 取付適用規格 114-5369 WEIGHT 10.96 g	NAME DYNAMIC D4200M 6.35mm PITCH TAB HSG, PANEL MOUNT TYPE 6 POS SIZE CAGE CODE DRAWING NO RESTRICTED TO A200779 C-1903331
MATERIAL 材料		CUSTOMER DRAWING	