

© COPYRIGHT 1979 BY AMP INCORPORATED, HARRISBURG, PA.  
 ALL INTERNATIONAL RIGHTS RESERVED. AMP INCORPORATED PRODUCTS  
 COVERED BY U. S. AND FOREIGN PATENTS AND/OR PATENTS PENDING.

REVISIONS						
P	F	ZONE	LTR	DESCRIPTION	DATE	APPROVED
				AC REV PER EC 0320-209-97	7-7-97	NS
			AC1	REVISED PER ECO-09-026444	28NOV09	AEG

PART NO.	NO. OF POSITIONS	A	B	C	D
583407-1	28	4.350	4.050	.150	.150
2	13	2.100	1.800		
3	23	3.600	3.300		
4	3	.600	.300		
5	4	.750	.450		
6	5	.900	.600		
7	6	1.050	.750		
8	7	1.200	.900		
9	8	1.350	1.050		
10	9	1.500	1.200		
11	10	1.650	1.350		
583407-2	11	1.800	1.500	.150	.150
12	12	1.950	1.650		
13	14	2.250	1.950		
14	15	2.400	2.100		
15	16	2.550	2.250		
16	17	2.700	2.400		
17	18	2.850	2.550		
18	19	3.000	2.700		
19	20	3.150	2.850		
20	21	3.300	3.000		
21	22	3.450	3.150		
22	24	3.750	3.450		
23	25	3.900	3.600		
24	26	4.050	3.750		
25	27	4.200	3.900		
26	29	4.500	4.200		
27	30	4.650	4.350		
28	31	4.800	4.500		
29	32	4.950	4.650		
30	33	5.100	4.800		
31	34	5.250	4.950		
32	35	5.400	5.100		
33	36	5.550	5.250		
34	37	5.700	5.400		
35	38	5.850	5.550		
36	39	6.000	5.700		
37	40	6.150	5.850		
38	41	6.300	6.000		
39	42	6.450	6.150		
40	43	6.600	6.300		
41	44	6.750	6.450		
42	45	6.900	6.600		
43	46	7.050	6.750		
44	47	7.200	6.900		
45	48	7.350	7.050		
46	49	7.500	7.200		
47	50	7.650	7.350		
48	55	8.400	8.100		
49	58	8.850	8.550		
50	2	.450	.150		
583407-3	52	7.950	7.650	.150	.150

OBSOLETE  $\triangle$ 6

OBSOLETE  $\triangle$ 6

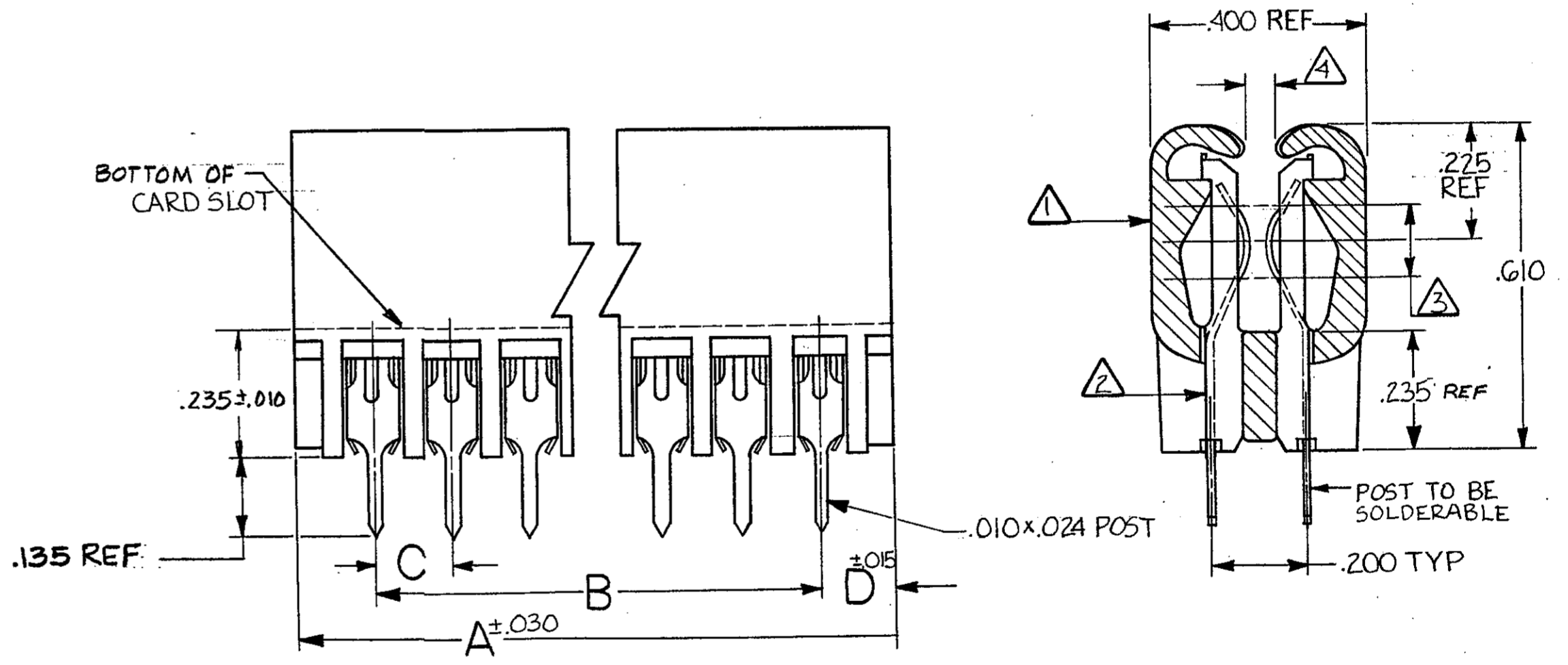
OBSOLETE  $\triangle$ 6

OBSOLETE  $\triangle$ 6

OBSOLETE

OBSOLETE  $\triangle$ 6

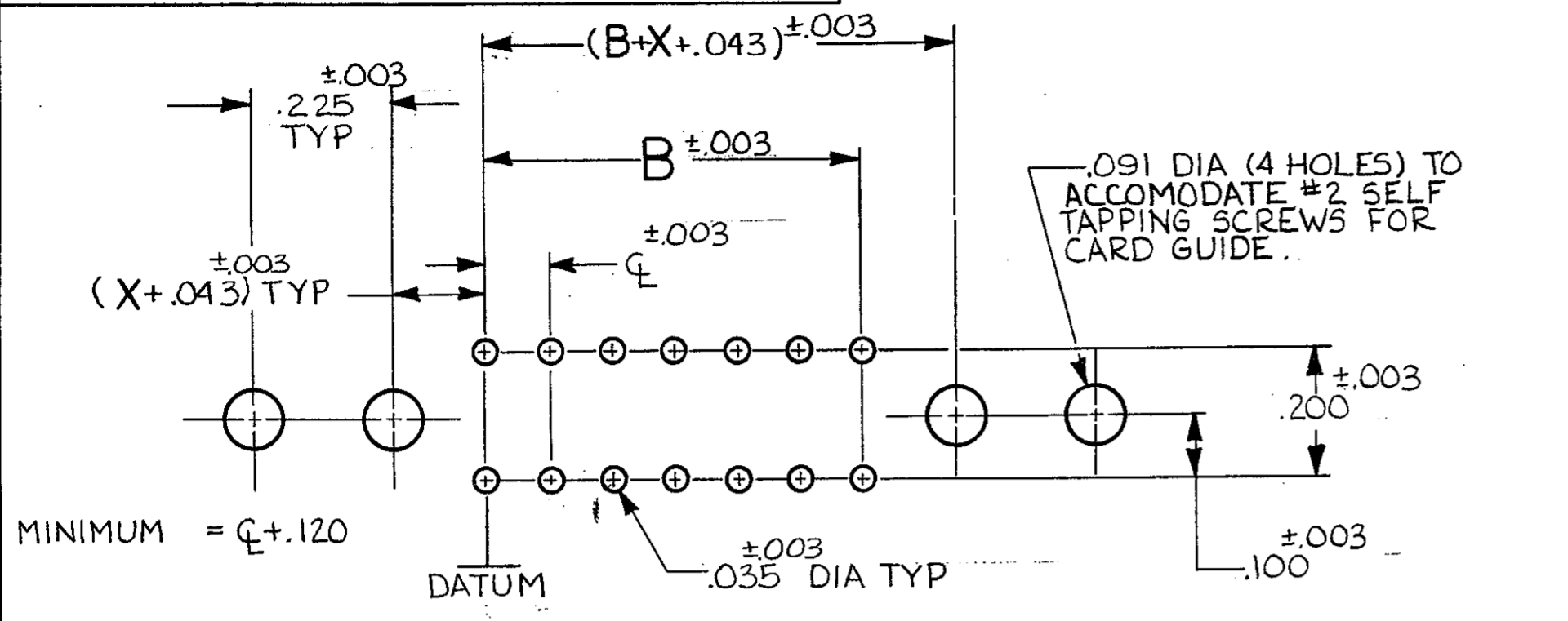
- $\triangle$ 1 HOUSING MATERIAL-GLASS FILLED POLYESTER, COLOR - BLACK
- $\triangle$ 2 CONTACT MATERIAL-PHOSPHORUS BRONZE
- $\triangle$ 3 FINISH-.000015 GOLD SELECTIVE PLATING
- $\triangle$ 4 FIT FOR .055-.070 PC BOARD
- 5. SEE SHEET 2 FOR RECOMMENDED PRINTED CIRCUIT BOARD LAYOUT
- $\triangle$ 6 OBSOLETE PARTS: OBSOLETE CIS STREAMLINING PER D.RENAUD/D.SINISI



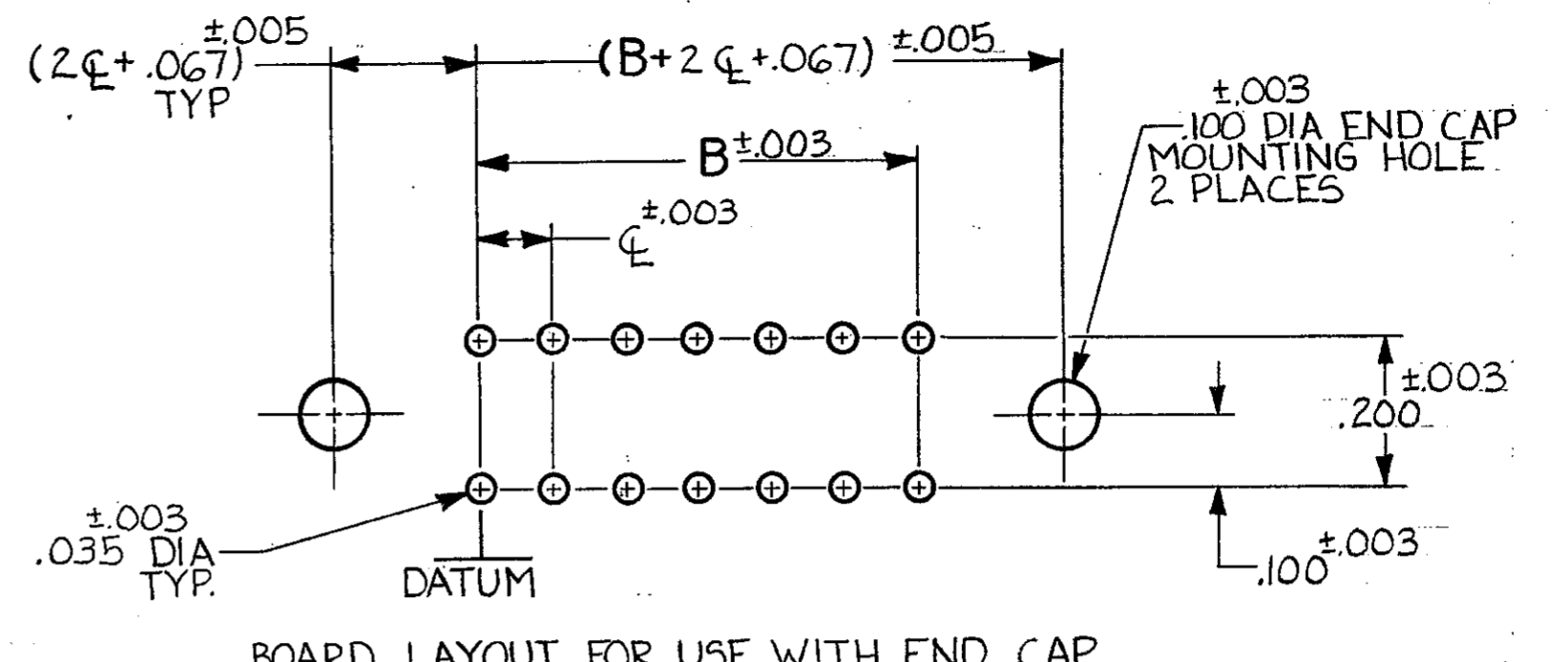
UNLESS OTHERWISE SPECIFIED DIMENSIONS ARE IN INCHES. TOLERANCES ON: DECIMALS ± ANGLES ±		CONTRACT NO		AMP INCORPORATED Harrisburg, Pa.	
MATERIAL $\triangle$ 1 $\triangle$ 2		DR Debra Kelly 5-22-79		NAME HOUSING ASSEMBLY TWIN LEAF .150 $\phi$ SOLDER TYPE POST	
FINISH $\triangle$ 3		CHK D. Bushney 5-29-79		SIZE CODE IDENT NO DRAWING NO	
		APPD D. Bushney 5-29-79		C 00779 583407	
		APPD J. Kaufman 5-29-79		REV AC1	
		DSGN APPD		SCALE	
		OTHER APPD		SHEET 1 OF 2	

COPYRIGHT 1979 BY AMP INCORPORATED, HARRISBURG, PA. ALL INTERNATIONAL RIGHTS RESERVED. AMP INCORPORATED PRODUCTS COVERED BY U. S. AND FOREIGN PATENTS AND/OR PATENTS PENDING.

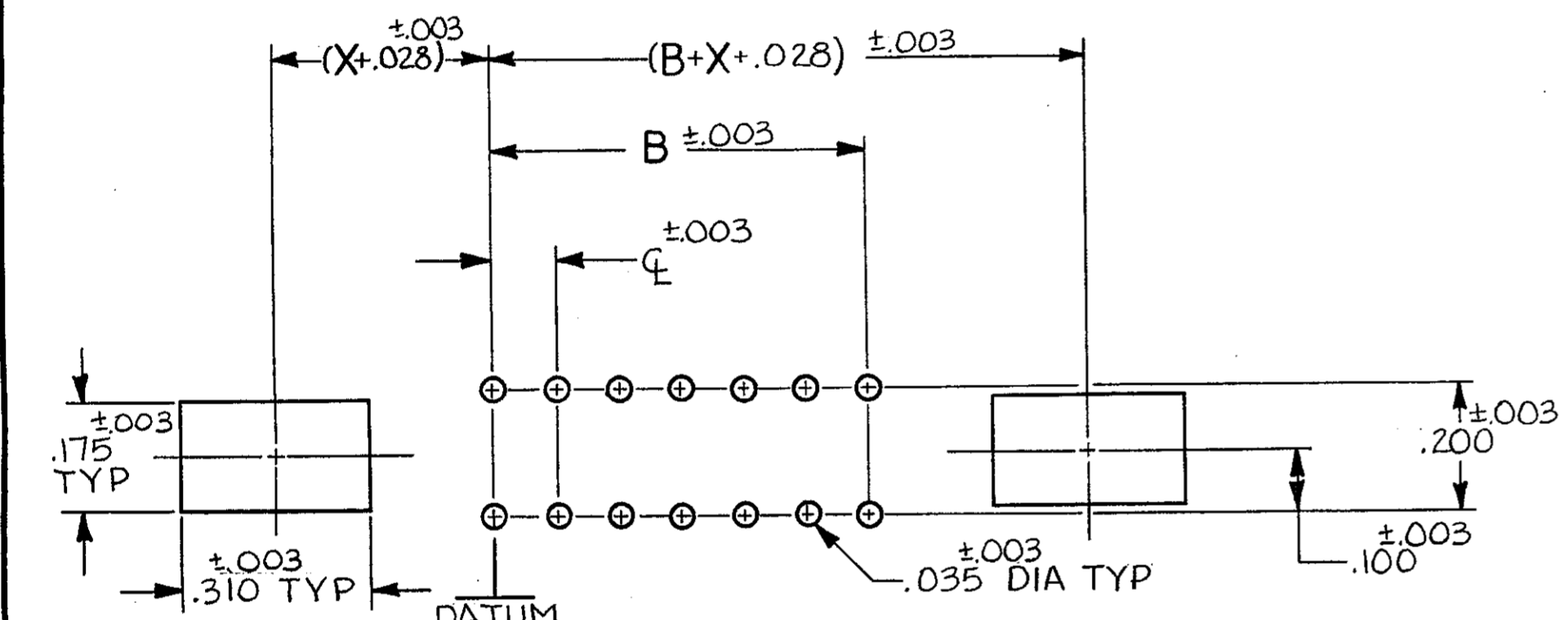
REVISIONS					
P/	F/	ZONE/LTR	DESCRIPTION	DATE	APPROVED
			SEE SHEET 1		



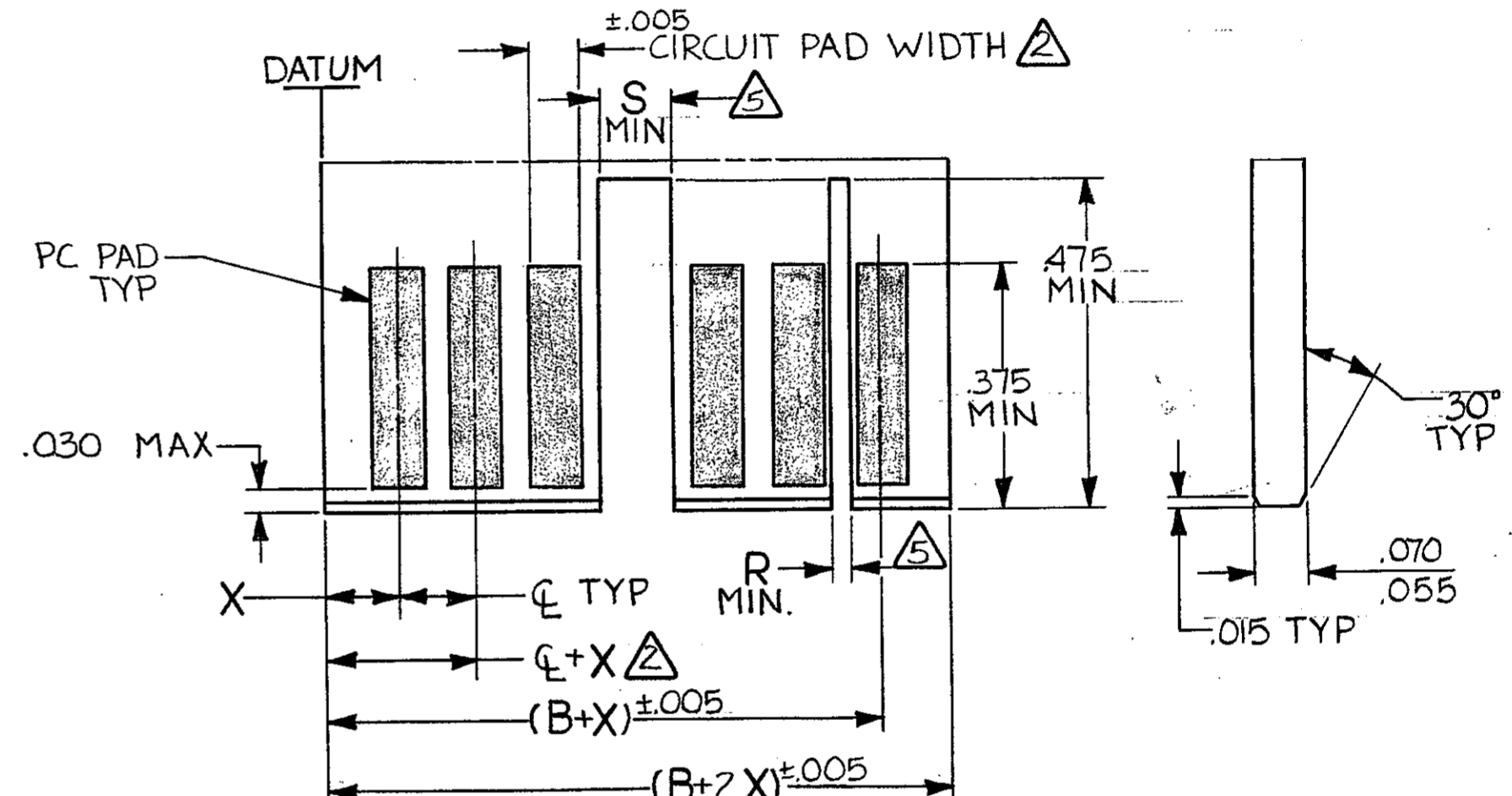
BOARD LAYOUT FOR USE WITH AMP CARD GUIDE PART NO. 583671



BOARD LAYOUT FOR USE WITH END CAP

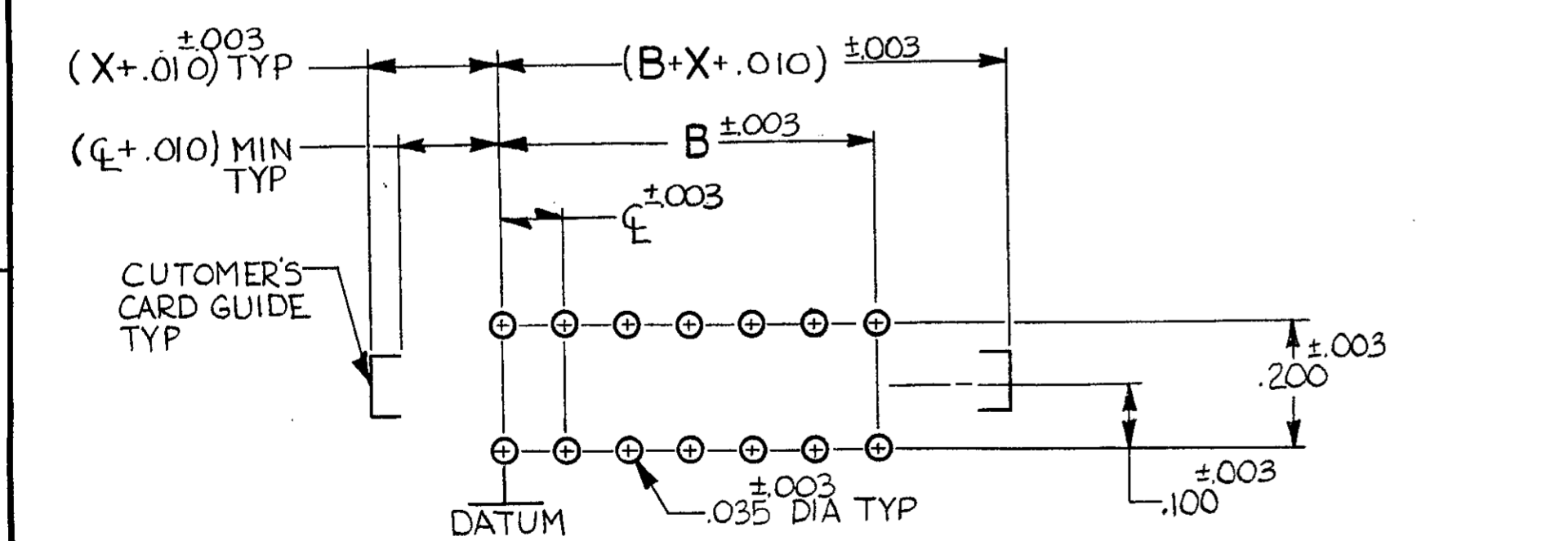


BOARD LAYOUT FOR USE WITH AMP CARD GUIDE PART NO. 583408 OR 583425



DAUGHTER BOARD LAYOUT

1. MAX ALLOWABLE WARPAGE OF MOTHER BOARD NOT TO EXCEED .005/IN MAX ALLOWABLE BOW OF DAUGHTER BOARD NOT TO EXCEED .010/IN. THICKNESS OF MOTHER BOARD IS .062 FOR DOUBLE SLOTTED CARD GUIDES & .104 MAX FOR ALL OTHER MOUNTING CONDITIONS.
2. EACH PAD LOCATION INCREASES BY  $C \pm .005$  WITH A NON-CUMULATIVE TOLERANCE OF  $\pm .005$
3.  $C$  INCREMENTS ON MOTHER BOARD HAVE  $\pm .003$  NON-CUMULATIVE TOLERANCE
4.  $X$  IS A CUSTOMER CONTROLLED DIMENSION EXCEPT FOR END CAP ASSYS WHERE  $X = C - .008$
5. THE SLOT FOR INTERCONTACT KEYING PLUGS MUST BE CENTERED BETWEEN THE PRINTED CIRCUIT PADS, WHILE THE SLOT FOR ON CONTACT KEYING PLUGS MUST BE CENTERED ON THE AREA OF A PRINTED CIRCUIT PAD.



BOARD LAYOUT FOR USE WITH CUSTOMER SUPPLIED CARD GUIDE

INTER-CONTACT KEYING PLUG	R	FOR CENTER LINE SPACING
530030-1	.050	.125 - .150 - .156
530030-2	.040	.100

ON-CONTACT KEYING PLUG	S	FOR CENTER LINE SPACING
583714-1	.129	.100 - .125
583714-2	.160	.150 - .156

UNLESS OTHERWISE SPECIFIED DIMENSIONS ARE IN INCHES. TOLERANCES ON: DECIMALS ± ANGLES ±		CONTRACT NO		PART NO	
MATERIAL		DR Debra Kelly 5-22-79		AMP INCORPORATED Harrisburg, Pa.	
FINISH		CHK D. Bushey 5-29-79		NAME HOUSING ASSEMBLY TWIN LEAF CONNECTOR .150 CENTERS	
		APPD D. Bushey 5-29-79		SIZE CODE IDENT NO DRAWING NO	
		APPD J. Kaufman 5-29-79		C 00779 583407	
		DSGN APPD		REV AC1	
		OTHER APPD		SCALE SHEET 2 OF 2	