

PARTIAL1

NOTES:

1. MATERIALS

HOUSING: PA 6, UL94 V-2

COLOUR: SEE TABLES SHEETS 2 to 9

TERMINALS: PHOSPHOR BRONZE, 0.40/(0.016) THICK REF.

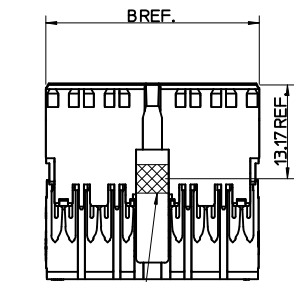
PLATING: 5um/(200uin) MIN PURE Sn

2. PRODUCT CONFORMS TO SPECIFICATION PS-99020-0037

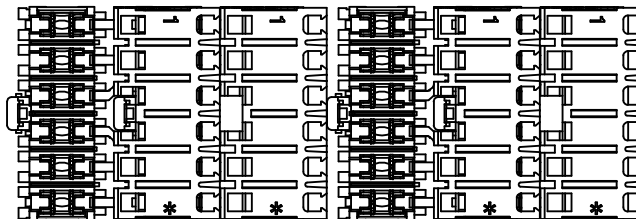
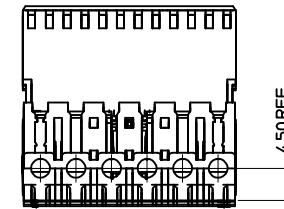
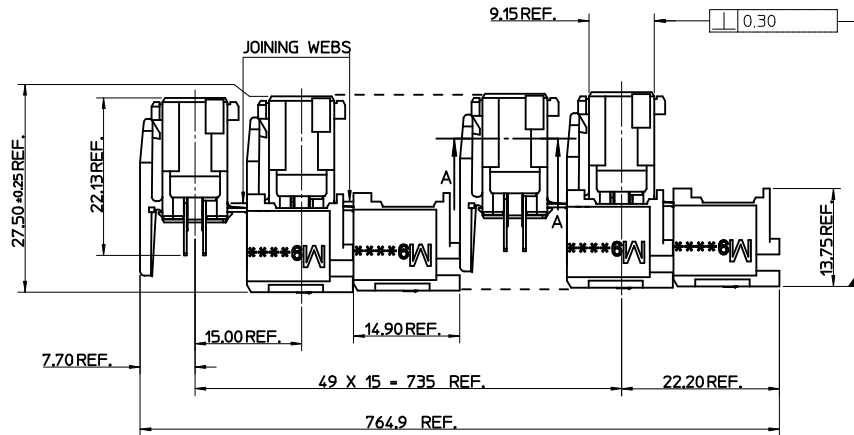
3. ACCEPTS CABLE, PER ES-99036-0008 OR ES-99036-0009 AS PER THE APPLICATION SPECIFICATION AS-99033-0004

4. SEE SUBSEQUENT SHEETS FOR PART NUMBERS SHOWING THE VARIOUS CODING, KEYING AND LATCHING OPTIONS. COLOUR STRIPE AVAILABLE IN BLACK, GREEN, RED & YELLOW

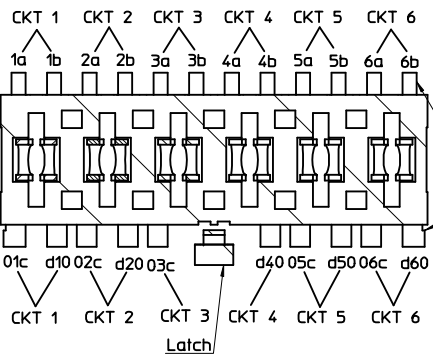
5. PACKAGING SPECIFICATION PK-90833-001



COLOUR STRIPE
SEE NOTE 4



Ckt Size	A	B
2	5.00	9.90
3	10.00	14.90
4	15.00	19.90
5	20.00	24.90
6	25.00	29.90
7	30.00	34.90
8	35.00	39.90
9	40.00	44.90
10	45.00	49.90
11	50.00	54.90
12	55.00	59.90



KEYING, CODING & LATCH IDENTIFICATION
(6 CKT EXAMPLE SHOWN)

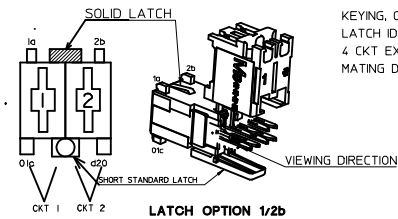
A-A

NEW PART NUMBER EC NO: IFC2013-1423 DRWN: MOSULL IVANO 2013/03/13 CHKD: BRUTTE 2013/03/13 APPR: STURFFEN 2013/03/29 AA	QUALITY SYMBOLS 	GENERAL TOLERANCES (UNLESS SPECIFIED)		DIMENSION STYLE MM ONLY	SCALE 2:1	DESIGN UNITS METRIC	THIRD ANGLE PROJECTION		
		4 PLACES ± --- ± --- 3 PLACES ± --- ± --- 2 PLACES ± 0.05 ± --- 1 PLACE ± 0.10 ± ---	mm INCH ± --- ± --- ± 0.05 ± --- ± 0.10 ± ---	DRAWN BY BRUTTE	DATE 2012/08/21	TITLE 5MM APPLI-MATE 10A			
		ANGULAR ± .5 °		CHECKED BY DATE	APPROVED BY DATE	MOLEX INCORPORATED			
		DRAFT WHERE APPLICABLE MUST REMAIN WITHIN DIMENSIONS		MATERIAL NO. SEE CHARTS	DOCUMENT NO. SD-91778-001	SHEET NO. 1 OF 10			

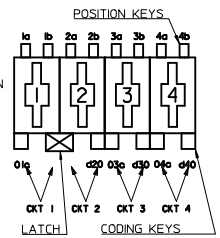
MOLEX PART NO.	HOUSING NO.	CIRCUIT SIZE	COLOUR	POSITION KEYS	CODING KEYS	LATCH POSITION	CONFIGURATION	COLOUR STRIPE	REF	RIBS
91778-0001	91778-9021	2	NATURAL	1a 1b 2a 2b	01c d20	1/2		NONE	K00	
91778-0002	91778-9021	2	NATURAL	1b 2a	01c d20	1/2		NONE	K01	
91778-0003	91778-9021	2	NATURAL	1a 2b	01c	1/2		NONE	K02	
91778-0004	91778-9021	2	NATURAL	2a	01c d20	1/2		NONE	K03	
91778-0005	91778-9021	2	NATURAL	1a 2b	d20	1/2		NONE	K05	
91778-0006	91778-9021	2	NATURAL	1b 2b	01c	1/2		NONE	K09	
91778-0007	91778-9021	2	NATURAL	1a 2a	01c	1/2		NONE	K10	
91778-0008	91778-9021	2	NATURAL	2b	01c d20	1/2		NONE	K15	
91778-0009	91778-9021	2	NATURAL	1a 1b	01c d20	1/2		NONE	K47	
91778-0010	91778-9021	2	NATURAL	2b	NONE	1/2		NONE	K11	NONE
91778-0011	91778-9021	2	NATURAL	1a 1b	01c	1/2		NONE	K04	
91778-0012	91778-9021	2	NATURAL	1a	01c d20	1/2		NONE	K12	
91778-0013	91778-9021	2	NATURAL	1b 2a	01c	1/2		NONE	K14	
91778-0014	91778-9021	2	NATURAL	1a 1b 2a 2b	01c	1/2		NONE	K33	
91778-0015	PART NUMBER OBSOLETE USE 91778-0011			1a 1b	01c	1/2		NONE	K04	
91778-0016	91778-9021	2	NATURAL	1b	01c d20	1/2		NONE	K16	
91778-0017	91778-9021	2	NATURAL	1a 2b	NONE	1/2		NONE	K06	
91778-0018	91778-9021	2	NATURAL	2b	d20	1/2		NONE	K38	
91778-0019	91778-9021	2	NATURAL	1a 2a	01c d20	1/2		NONE	K44	
91778-0020	91778-9021	2	NATURAL	1b 2a 2b	d20	1/2		NONE	K07	
91778-0021	91778-9021	2	NATURAL	1a 1b 2a 2b	d20	1/2		NONE	K34	
91778-0022	91778-9021	2	NATURAL	1a 2b	d20	1/2		BLACK	K05	
91778-0023	91778-9021	2	NATURAL	NONE	01c d20	1/2		RED	K54	
91778-0024	91778-9023	2	NATURAL	1b, 2a	01c	REMOVED		NONE	K--	CKT 2
91778-0025	91778-9022	2	BLACK	1a 1b 2a 2b	d20	1/2		NONE	K34	NONE
91778-0026	91778-9023	2	NATURAL	1b	01c d20	REMOVED		NONE	K--	CKT 2
91778-0027	91778-9023	2	NATURAL	1a 1b 2a 2b	01c d20	REMOVED		NONE	K--	CKT 2

MOLEX PART NO.	HOUSING NO.	CIRCUIT SIZE	COLOUR	POSITION KEYS	CODING KEYS	LATCH POSITION	CONFIGURATION	COLOUR STRIPE	REF	RIBS
91778-0028	91778-9024	2	NATURAL	NONE	01c	1/2 b		NONE	K--	NONE
91778-0029	91778-9024	2	NATURAL	1a 2b	NONE	1/2 b		NONE	K--	NONE
91778-0030	91778-9021	2	NATURAL	2a	01c	1/2		NONE	K--	NONE
91778-0031	PART NUMBER OBSOLETE USE 91778-0021			1a 1b 2a 2b	d20	1/2		NONE	K--	NONE
91778-0032	91778-9021	2	NATURAL	1a	NONE	1/2		NONE	K--	NONE
91778-0033	91778-9021	2	NATURAL	1a 2b	NONE	1/2		GREEN	K--	NONE
91778-0034	91778-9021	2	NATURAL	1a 2b	01c d20	1/2		NONE	K--	NONE
91778-0036	PART NUMBER OBSOLETE USE 91778-0005			1a 2b	d20	1/2		NONE	K--	NONE
91778-0038	91778-9024	2	NATURAL	2b	01c	1/2 b		NONE	K--	NONE
91778-0039	91778-9021	2	NATURAL	1b	NONE	1/2		NONE	K--	NONE
91778-0040	91778-9021	2	NATURAL	1b	d20	1/2		RED	K--	NONE
91778-0042	91778-9021	2	NATURAL	NONE	NONE	1/2		NONE	K--	NONE
91778-0043	91778-9024	2	NATURAL	2b	NONE	1/2b		NONE	K--	NONE
91778-0044	91778-9021	2	NATURAL	1a 1b 2a 2b	NONE	1/2		NONE	K--	NONE

- STANDARD LATCH
- SHORT STANDARD LATCH
- SOLID LATCH



KEYING, CODING & LATCH IDENTIFICATION
4 CKT EXAMPLE VIEW IN MATING DIRECTION

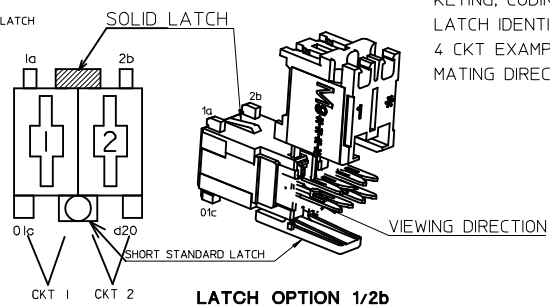


SEE SHEET 1 REV AA	CC NO: IPG2013-1423	DRWING/SUILL/IANO 2013/03/13	CHKD/BRUTTE 2013/03/13	APPR/ST/GRIFIN 2013/03/29	QUALITY SYMBOLS ▽=0	GENERAL TOLERANCES (UNLESS SPECIFIED)	DIMENSION STYLE MM ONLY	SCALE 1:1	DESIGN UNITS METRIC	THIRD ANGLE PROJECTION
	4 PLACES ± --- ± ---		3 PLACES ± --- ± ---		2 PLACES ± 0.05 ± ---		1 PLACE ± 0.10 ± ---		0 PLACE ± --- ± ---	
	DRAWN BY BRUTTE		DATE 2012/08/21		CHECKED BY		DATE		TITLE 5MM APPLI-MATE 10A	
	APPROVED BY		DATE		MATERIAL NO.		DOCUMENT NO.		SHEET NO.	
DRAFT WHERE APPLICABLE MUST REMAIN WITHIN DIMENSIONS						SEE CHARTS		SD-91778-001		2 OF 10
THIS DRAWING CONTAINS INFORMATION THAT IS PROPRIETARY TO MOLEX INCORPORATED AND SHOULD NOT BE USED WITHOUT WRITTEN PERMISSION										

13	12	11	10	9	8	7	6	5	4	3	2	1
MOLEX PART NO.	HOUSING NO.	CIRCUIT SIZE	COLOUR	POSITION KEYS	CODING KEYS	LATCH POSITION	CONFIGURATION	COLOUR STRIPE	REF			
91778-0101	91778-9031	3	NATURAL	1a 1b 2a 2b 3a 3b	01c d20 03c d30	1/2		NONE	K00			
91778-0102	91778-9032	3	NATURAL	1a 1b 2a 2b 3a 3b	01c d10 02c d30	2/3		NONE	K90			
91778-0103	91778-9031	3	NATURAL	1b	01c d20	1/2		NONE	K01			
91778-0104	91778-9031	3	NATURAL	1a	03c	1/2		NONE	K04			
91778-0105	91778-9031	3	NATURAL	1a 1b	d30	1/2		NONE	K05			
91778-0106	91778-9031	3	NATURAL	1b 2a 2b	d30	1/2		NONE	K33			
91778-0107	91778-9032	3	NATURAL	1a 1b 2a 2b 3a 3b	d10 d30	2/3		NONE	K38			
91778-0108	91778-9031	3	NATURAL	1a 3a	01c	1/2		NONE	K07			
91778-0109	91778-9031	3	NATURAL	1b 3a	01c	1/2		NONE	K03			
91778-0110	91778-9032	3	NATURAL	2a	02c d30	2/3		NONE	K57			
91778-0111	91778-9031	3	NATURAL	2b	d20	1/2		NONE	K08			
91778-0112	91778-9031	3	NATURAL	1b	d20 03c	1/2		NONE	K09			
91778-0113	91778-9032	3	NATURAL	1a 1b 2a 3a	01c 02c d30	2/3		NONE	K12			
91778-0114	91778-9032	3	NATURAL	1a 2a	d30	2/3		NONE	K44			
91778-0115	91778-9032	3	NATURAL	2a	d10 d30	2/3		NONE	K37			
91778-0116	91778-9031	3	NATURAL	3b	01c d30	1/2		NONE	K02			
91778-0117	91778-9032	3	NATURAL	2b 3b	d10 02c	2/3		NONE	K--			
91778-0118	91778-9032	3	NATURAL	2a	d10 02c d30	2/3		NONE	K--			
91778-0119	91778-9031	3	NATURAL	1a	01c d20 03c	1/2		NONE	K--			
91778-0120	91778-9031	3	NATURAL	1b 2a	01c d20	1/2		NONE	K--			
91778-0121	91778-9032	3	NATURAL	2a	01c d10 02c d30	2/3		NONE	K--			

MOLEX PART NO.	HOUSING NO.	CIRCUIT SIZE	COLOUR	POSITION KEYS	CODING KEYS	LATCH POSITION	CONFIGURATION	COLOUR STRIPE	REF	RIBS
91778-0122	91778-9033	3	NATURAL	1a, 2b, 3a,3b	d20	REMOVED		NONE	K--	CKT 2
91778-0123	91778-9031	3	NATURAL	1a	NONE	1/2		NONE	K--	NONE
91778-0124	91778-9035	3	BLACK	1a 1b 2a 2b 3a 3b	d10	2/3		NONE	K41	NONE
91778-0125	91778-9031	3	NATURAL	1a 1b 2a 2b 3a 3b	d20	1/2		NONE	K40	NONE
91778-0126	91778-9036	3	NATURAL	1a 2b 3a 3b	d20	1/2 b		NONE	K--	NONE
91778-0127	91778-9032	3	NATURAL	2a 2b 3a 3b	01c d30	2/3		NONE	K--	NONE
91778-0128	91778-9031	3	NATURAL	2a 2b	01c d20	1/2		NONE	K--	NONE
91778-0129	91778-9032	3	NATURAL	2a	d10	2/3		NONE	K--	NONE
91778-0130	91778-9031	3	NATURAL	NONE	01c d30	1/2		NONE	K--	NONE
91778-0131	91778-9032	3	NATURAL	2b 3b	d10 02c	2/3		GREEN	K--	NONE
91778-0132	91778-9031	3	NATURAL	2b	d20	1/2		RED	K--	NONE
91778-0133	91778-9031	3	NATURAL	1a 1b 2a 2b	d30	1/2		NONE	K--	NONE

- = STANDARD LATCH
- = SHORT STANDARD LATCH
- = SOLID LATCH



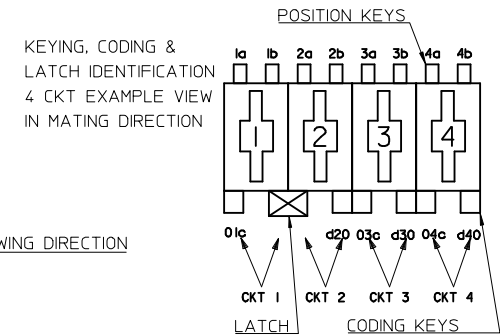
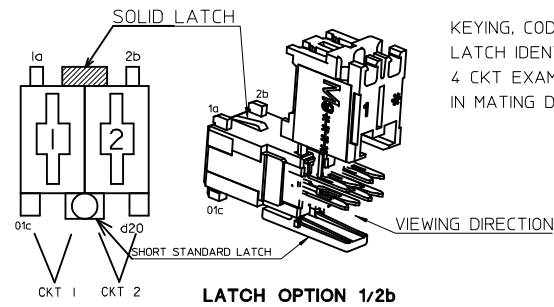
SEE SHEET 1 EC NO: IFC2013-1423 DRW:HSULLI\I\NO12013\03\13 CHKD:BRITTLE 2013/03/13 APPR:STGERFFIN 2013/03/29	QUALITY SYMBOLS ▽=0 ▽=0	GENERAL TOLERANCES (UNLESS SPECIFIED) <table border="1"> <tr> <th></th> <th>mm</th> <th>INCH</th> </tr> <tr> <td>4 PLACES ±</td> <td>---</td> <td>---</td> </tr> <tr> <td>3 PLACES ±</td> <td>---</td> <td>---</td> </tr> <tr> <td>2 PLACES ±</td> <td>0.05</td> <td>---</td> </tr> <tr> <td>1 PLACE ±</td> <td>0.10</td> <td>---</td> </tr> <tr> <td colspan="3">ANGULAR ± .5°</td> </tr> </table>		mm	INCH	4 PLACES ±	---	---	3 PLACES ±	---	---	2 PLACES ±	0.05	---	1 PLACE ±	0.10	---	ANGULAR ± .5°			DIMENSION STYLE MM ONLY	SCALE 1:1	DESIGN UNITS METRIC	THIRD ANGLE PROJECTION
		mm	INCH																					
	4 PLACES ±	---	---																					
	3 PLACES ±	---	---																					
2 PLACES ±	0.05	---																						
1 PLACE ±	0.10	---																						
ANGULAR ± .5°																								
DRAWN BY BRITTLE	DATE 2012/08/21	TITLE 5MM APPLI-MATE 10A																						
CHECKED BY	DATE	APPROVED BY																						
APPROVED BY	DATE	MATERIAL NO. SEE CHARTS	DOCUMENT NO. SD-91778-001	SHEET NO. 3 OF 10																				

DRAFT WHERE APPLICABLE MUST REMAIN WITHIN DIMENSIONS

THIS DRAWING CONTAINS INFORMATION THAT IS PROPRIETARY TO MOLEX INCORPORATED AND SHOULD NOT BE USED WITHOUT WRITTEN PERMISSION

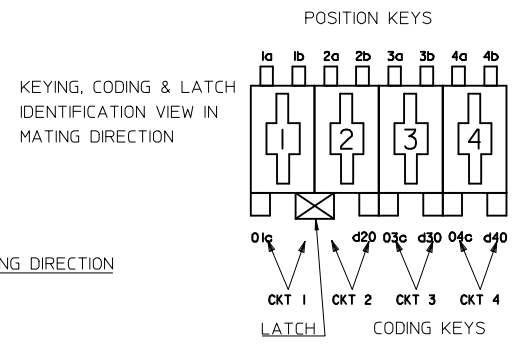
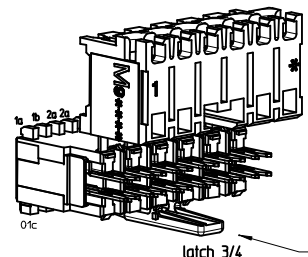
MOLEX PART NO.	HOUSING NO.	CIRCUIT SIZE	COLOUR	POSITION KEYS	CODING KEYS	LATCH POSITION	CONFIGURATION	COLOUR STRIPE	REF	RIBS
91778-0134	PART NUMBER OBSOLETE USE 91778-0132									
91778-0135	91778-9032	3	NATURAL	NONE	d10 02c d30	2/3		NONE	K--	NONE
91778-0136	91778-9032	3	NATURAL	1a 2a	d10	2/3		NONE	K42	NONE
91778-0137	91778-9032	3	NATURAL	1a 2b 3a 3b	01c d30	2/3		NONE	K--	NONE
91778-0138	91778-9031	3	NATURAL	2b	01c d20 03c d30	1/2		NONE	K--	NONE
91778-0139	91778-9031	3	NATURAL	3b	01c 03c	1/2		NONE	K--	NONE
91778-0140	91778-9034	3	BLACK	1a 3a	d20	1/2		NONE	K43	NONE
91778-0142	91778-9031	3	NATURAL	1a 3b	01c	1/2		NONE	K06	NONE
91778-0143	91778-9037	3	NATURAL	1a 1b 2a 3b	d10 d30	2/3 b		NONE	K--	NONE
91778-0144	91778-9032	3	NATURAL	1a 2b	NONE	2/3		NONE	K--	NONE
91778-0145	91778-9032	3	NATURAL	3b	01c d30	2/3		NONE	K--	NONE

- STANDARD LATCH
- SHORT STANDARD LATCH
- SOLID LATCH



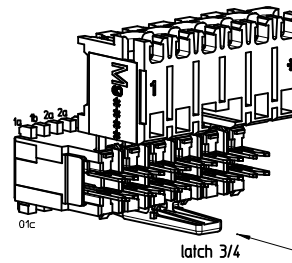
SEE SHEET 1 EC NO: IPG2013-1423 DRWN: MOSULL IVANO 12013/03/13 CHKD: BRUTTE 2013/03/13 APPR: STGRUFFIN 2013/03/29	QUALITY SYMBOLS	GENERAL TOLERANCES (UNLESS SPECIFIED)	DIMENSION STYLE	SCALE	DESIGN UNITS	THIRD ANGLE PROJECTION																														
	$\nabla=0$ $\nabla=0$	<table border="1"> <thead> <tr> <th></th> <th>mm</th> <th>INCH</th> </tr> </thead> <tbody> <tr> <td>4 PLACES</td> <td>± ---</td> <td>± ---</td> </tr> <tr> <td>3 PLACES</td> <td>± ---</td> <td>± ---</td> </tr> <tr> <td>2 PLACES</td> <td>± 0.05</td> <td>± ---</td> </tr> <tr> <td>1 PLACE</td> <td>± 0.10</td> <td>± ---</td> </tr> <tr> <td>0 PLACE</td> <td>± ---</td> <td>± ---</td> </tr> </tbody> </table>		mm	INCH	4 PLACES	± ---	± ---	3 PLACES	± ---	± ---	2 PLACES	± 0.05	± ---	1 PLACE	± 0.10	± ---	0 PLACE	± ---	± ---	<table border="1"> <thead> <tr> <th>MM ONLY</th> <th>DATE</th> <th>TITLE</th> </tr> </thead> <tbody> <tr> <td>DRAWN BY</td> <td>2012/08/21</td> <td>5MM APPLI-MATE 10A</td> </tr> <tr> <td>CHECKED BY</td> <td></td> <td></td> </tr> <tr> <td>APPROVED BY</td> <td></td> <td></td> </tr> </tbody> </table>	MM ONLY	DATE	TITLE	DRAWN BY	2012/08/21	5MM APPLI-MATE 10A	CHECKED BY			APPROVED BY			1:1	METRIC	
		mm	INCH																																	
	4 PLACES	± ---	± ---																																	
3 PLACES	± ---	± ---																																		
2 PLACES	± 0.05	± ---																																		
1 PLACE	± 0.10	± ---																																		
0 PLACE	± ---	± ---																																		
MM ONLY	DATE	TITLE																																		
DRAWN BY	2012/08/21	5MM APPLI-MATE 10A																																		
CHECKED BY																																				
APPROVED BY																																				
DESCRIPTION	ANGULAR ± .5 °	MATERIAL NO.	DOCUMENT NO.																																	
AA	DRAFT WHERE APPLICABLE MUST REMAIN WITHIN DIMENSIONS	SEE CHARTS	SD-91778-001																																	
REV	THIS DRAWING CONTAINS INFORMATION THAT IS PROPRIETARY TO MOLEX INCORPORATED AND SHOULD NOT BE USED WITHOUT WRITTEN PERMISSION			SHEET NO.	4 OF 10																															

MOLEX PART NO.	HOUSING NO.	CIRCUIT SIZE	COLOUR	POSITION KEYS	CODING KEYS	LATCH POSITION	CONFIGURATION	COLOUR STRIPE	REF
91778-0201	91778-9041	4	NATURAL	1a 1b 2a 2b 3a 3b 4a 4b	01c d20 03c d40	1/2 3/4		NONE	K00
91778-0202	91778-9041	4	NATURAL	1b	03c d40	1/2 3/4		NONE	K01
91778-0203	91778-9041	4	NATURAL	1a 1b 2a 2b 3a 3b 4a 4b	d20 03c	1/2 3/4		NONE	K35
91778-0204	91778-9041	4	NATURAL	1b	d20 03c	1/2 3/4		NONE	K38
91778-0205	91778-9041	4	NATURAL	1a 4b	d40	1/2 3/4		NONE	K03
91778-0206	91778-9041	4	NATURAL	1a 3a 3b	01c d20 d40	1/2 3/4		NONE	K32
91778-0207	91778-9041	4	NATURAL	1b 2a 3a 4b	01c d40	1/2 3/4		NONE	K37
91778-0208	91778-9041	4	NATURAL	1a 4b	01c	1/2 3/4		NONE	K02
91778-0209	91778-9042	4	NATURAL	3b	d30	2/3		NONE	K04
91778-0210	91778-9041	4	NATURAL	1a 1b 3a 3b	01c 03c	1/2 3/4		NONE	K93
91778-0211	91778-9041	4	NATURAL	1a 2a 4a	01c 03c d40	1/2 3/4		NONE	K43
91778-0212	91778-9041	4	NATURAL	1a 1b 3a 3b	01c d20 03c d40	1/2 3/4		NONE	K--
91778-0213	91778-9043	4	NATURAL	1a 1b 3a 4a 4b	01c d20 03c d30 04c d40	1/2		NONE	K--
91778-0214	91778-9041	4	NATURAL	1b	03c d40	1/2 3/4		GREEN	K01
91778-0215	91778-9041	4	NATURAL	2a 3b	NONE	1/2 3/4		BLACK	K--
91778-0216	91778-9041	4	NATURAL	1a 1b 2a 3b 4b	d20 d40	1/2 3/4		NONE	K45
91778-0217	91778-9041	4	NATURAL	2a 3b	01c d20	1/2 3/4		NONE	K23
91778-0218	91778-9041	4	NATURAL	1a 1b 4a 4b	01c d20 03c d40	1/2 3/4		YELLOW	K--
91778-0219	91778-9041	4	NATURAL	1a 4a 4b	01c d20 03c	1/2 3/4		NONE	K--
91778-0220	91778-9041	4	NATURAL	1a 1b 2a 3a 4b	d20 d40	1/2 3/4		NONE	K--

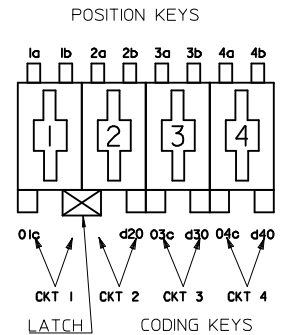


SEE SHEET 1 EC NO: IPG2013-1423 DRW:ROSULLIVANO 12013/03/13 CHK:BRUTTE 2013/03/13 APPR:STGRUFFIN 2013/03/29	QUALITY SYMBOLS ▽=0 ▽=0	GENERAL TOLERANCES (UNLESS SPECIFIED) mm INCH 4 PLACES ± --- ± --- 3 PLACES ± --- ± --- 2 PLACES ± 0.05 ± --- 1 PLACE ± 0.10 ± --- ANGULAR ± .5 °	DIMENSION STYLE MM ONLY DRAWN BY DATE BRUTTE 2012/08/21 CHECKED BY DATE APPROVED BY DATE	SCALE 2:1 DESIGN UNITS METRIC THIRD ANGLE PROJECTION	TITLE 5MM APPLI-MATE 10A	
	MATERIAL NO. SEE CHARTS	DOCUMENT NO. SD-91778-001	SHEET NO. 5 OF 10			
	DRAFT WHERE APPLICABLE MUST REMAIN WITHIN DIMENSIONS			THIS DRAWING CONTAINS INFORMATION THAT IS PROPRIETARY TO MOLEX INCORPORATED AND SHOULD NOT BE USED WITHOUT WRITTEN PERMISSION		
	MOLEX INCORPORATED					

MOLEX PART NO.	HOUSING NO.	CIRCUIT SIZE	COLOUR	POSITION KEYS	CODING KEYS	LATCH POSITION	CONFIGURATION	COLOUR STRIPE	REF
91778-0301	91778-9053	5	NATURAL	1a 3a	01c d30	1/2 4/5		NONE	K30
91778-0302	91778-9051	5	NATURAL	1a 5b	01c d20 03c d50	1/2 3/4		NONE	K31
91778-0303	91778-9052	5	NATURAL	2a	01c d50	2/3 4/5		NONE	K43
91778-0304	91778-9052	5	NATURAL	1a 1b 2a 2b 3a 3b 4a 4b 5a 5b	01c d50	2/3 4/5		NONE	K42
91778-0305	91778-9052	5	NATURAL	1a 1b 2a 2b 3a 3b 4a 4b 5a 5b	01c d10 02c d30 04c d50	2/3 4/5		NONE	K92
91778-0306	91778-9051	5	NATURAL	1a 1b 2a 2b 3a 3b 4a 4b 5a 5b	01c d20 03c d40 05c d50	1/2 3/4		NONE	K00
91778-0307	91778-9053	5	NATURAL	1a 1b 2a 2b 3a 3b 4a 4b 5a 5b	01c d20 03c d30 04c d50	1/2 4/5		NONE	K90
91778-0308	91778-9051	5	NATURAL	2a 4b	01c d20 d40	1/2 3/4		NONE	K44
91778-0309	91778-9053	5	NATURAL	1a 3a	01c d30 d50	1/2 4/5		NONE	K49
91778-0310	91778-9051	5	NATURAL	NONE	01c d40	1/2 3/4		NONE	K--
91778-0311	PART NUMBER OBSOLETE USE 91778-0302			1a 5b	01c d20 03c d50	1/2 3/4		NONE	K31
91778-0312	PART NUMBER OBSOLETE USE 91778-0303			2a	01c d50	2/3 4/5		NONE	K43
91778-0313	91778-9054	5	NATURAL	1a 2b 3b 4b 5b	d10 02c 04c d50	4/5		NONE	K--
91778-0314	91778-9054	5	NATURAL	5b	01c d20 03c d50	4/5		NONE	K--
91778-0315	91778-9051	5	NATURAL	1a 1b 2a 2b 3a 3b 4a 4b 5a 5b	d20, d40	1/2 3/4		NONE	K84
91778-0316	91778-9055	5	NATURAL	5b	d30	1/2		NONE	K--
91778-0317	91778-9053	5	NATURAL	2b	d20 d30	1/2 4/5		NONE	K--
91778-0318	91778-9056	5	NATURAL	1a 5b	d20	3/4		NONE	K--
91778-0319	91778-9053	5	NATURAL	3b	d30	1/2 4/5		NONE	K--
91778-0320	91778-9051	5	NATURAL	3b	01c d20 03c d40	1/2 3/4		NONE	K--



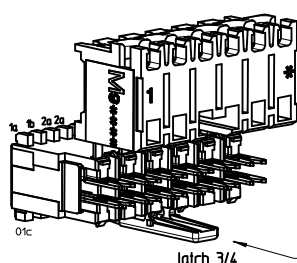
KEYING, CODING & LATCH
IDENTIFICATION VIEW IN
MATING DIRECTION



SEE SHEET 1 EC NO: IPG2013-1423 DRW:ROSULLIVANO12013/03/13 CHK:BRUTTE 2013/03/13 APPR:SIGNIFFIN 2013/03/29 AA	QUALITY SYMBOLS ▽=0 ▽=0	GENERAL TOLERANCES (UNLESS SPECIFIED) <table border="1"> <tr> <th></th> <th>mm</th> <th>INCH</th> </tr> <tr> <td>4 PLACES</td> <td>± ---</td> <td>± ---</td> </tr> <tr> <td>3 PLACES</td> <td>± ---</td> <td>± ---</td> </tr> <tr> <td>2 PLACES</td> <td>± 0.05</td> <td>± ---</td> </tr> <tr> <td>1 PLACE</td> <td>± 0.10</td> <td>± ---</td> </tr> <tr> <td colspan="3">ANGULAR ± .5 °</td> </tr> </table>		mm	INCH	4 PLACES	± ---	± ---	3 PLACES	± ---	± ---	2 PLACES	± 0.05	± ---	1 PLACE	± 0.10	± ---	ANGULAR ± .5 °			DIMENSION STYLE MM ONLY	SCALE 1:1	DESIGN UNITS METRIC	THIRD ANGLE PROJECTION
		mm	INCH																					
	4 PLACES	± ---	± ---																					
	3 PLACES	± ---	± ---																					
2 PLACES	± 0.05	± ---																						
1 PLACE	± 0.10	± ---																						
ANGULAR ± .5 °																								
DRAFT WHERE APPLICABLE MUST REMAIN WITHIN DIMENSIONS	DRAWN BY BRUTTE	DATE 2012/08/21	TITLE 5MM APPLI-MATE 10A	molex MOLEX INCORPORATED																				
MATERIAL NO. SEE CHARTS	APPROVED BY DATE	DOCUMENT NO. SD-91778-001	SHEET NO. 6 OF 10	THIS DRAWING CONTAINS INFORMATION THAT IS PROPRIETARY TO MOLEX INCORPORATED AND SHOULD NOT BE USED WITHOUT WRITTEN PERMISSION																				
REV	DESCRIPTION	INCORPORATED AND SHOULD NOT BE USED WITHOUT WRITTEN PERMISSION																						

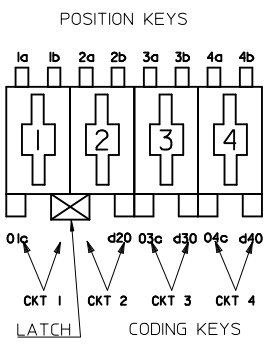
MOLEX PART NO.	HOUSING NO.	CIRCUIT SIZE	COLOUR	POSITION KEYS	CODING KEYS	LATCH POSITION	CONFIGURATION	COLOUR STRIPE	REF
91778-0401	91778-9061	6	NATURAL	1a 1b 2a 2b 3a 3b 4a 4b 5a 5b 6a 6b	01c d10 02c d30 04c d50 06c d60	2/3 4/5		NONE	K90
91778-0402	91778-9062	6	NATURAL	1b	03c d60	1/2 5/6		NONE	K91
91778-0403	91778-9062	6	NATURAL	1a 1b 2a 2b 3a 3b 4a 4b 5a 5b 6a 6b	01c d20 03c d30 04c d40 05c d60	1/2 5/6		NONE	K53
91778-0404	91778-9062	6	NATURAL	5b	01c d40	1/2 5/6		NONE	K61
91778-0405	91778-9062	6	NATURAL	1b 6a	d30	1/2 5/6		NONE	K--
91778-0406	91778-9062	6	NATURAL	2b 6b	d40	1/2 5/6		NONE	K04
91778-0407	91778-9063	6	NATURAL	5b	02c 06c	3/4		NONE	K--
91778-0408	91778-9064	6	NATURAL	1b 3a 4b 5a 5b 6b	01c d60	2/3		NONE	K--
91778-0409	91778-9063	6	NATURAL	1b 2a 5b 6b	d50 06c	3/4		NONE	K--
91778-0410	91778-9065	6	BLACK	1a 1b 2a 2b 3a 3b 4a 4b 5a 5b 6a 6b	02c d50	2/3 4/5		NONE	K38
91778-0411	91778-9066	6	NATURAL	1b 2a 3a 4b 5a 5b 6b	01c d60	2/3 5/6		NONE	K--

MOLEX PART NO.	HOUSING NO.	CIRCUIT SIZE	COLOUR	POSITION KEYS	CODING KEYS	LATCH POSITION	CONFIGURATION	COLOUR STRIPE	REF
91778-0501	91778-9071	7	NATURAL	2b	01c d20 07c	1/2 5/6		NONE	K37
91778-0502	91778-9071	7	NATURAL	1a 1b 2a 2b 3a 3b 4a 4b 5a 5b 6a 6b 7a 7b	01c d20 03c d30 04c d40 05c d60 07c d70	1/2 5/6		NONE	K00
91778-0503	91778-9071	7	NATURAL	NONE	d20	1/2 5/6		NONE	K44
91778-0504	91778-9072	7	NATURAL	1a 1b 2a 2b 3a 3b 4a 4b 5a 5b 6a 6b 7a 7b	01c d10 c2c d30 04c d40 05c d50 06c d70	2/3 6/7		NONE	K90
91778-0505	91778-9072	7	NATURAL	1a 1b 2a 2b 3a 3b 4a 4b 5a 5b 6a 6b 7a 7b	02c d50	2/3 6/7		NONE	K49
91778-0506	91778-9073	7	NATURAL	NONE	d20 03c 07c	5/6		NONE	K--
91778-0507	91778-9074	7	NATURAL	1a 6b	03c 07c	4/5		NONE	K--
91778-0508	91778-9071	7	NATURAL	none	04c 05c	1/2 5/6		NONE	K--
91778-0509	91778-9071	7	NATURAL	NONE	04c 07c	1/2 5/6		NONE	K--
91778-0510	91778-9071	7	NATURAL	NONE	02d 03c 07d	1/2 5/6		NONE	K--
91778-0511	91778-9071	7	NATURAL	NONE	d20 07c	1/2 5/6		NONE	K--
91778-0512	91778-9071	7	NATURAL	NONE	d20 03c	1/2 5/6		NONE	K--
91778-0513	91778-9071	7	NATURAL	6b 7a 7b	d20 d60	1/2 5/6		NONE	K--
91778-0514	91778-9071	7	NATURAL	1a 1b 2a 2b 3a 3b 4a 4b 5a 5b 6a 6b 7a 7b	03c d40 07c	1/2 5/6		NONE	K--
91778-0515	91778-9071	7	NATURAL	1a 2a 2b 3a 3b 4a 5a 6a 6b 7a 7b	d20 d60	1/2 5/6		NONE	K--
91778-0516	91778-9071	7	NATURAL	1a 2a 2b 3a 3b 4b 5a 6a 6b 7a 7b	d20 d60	1/2 5/6		NONE	K--



KEYING, CODING & LATCH IDENTIFICATION VIEW IN MATING DIRECTION

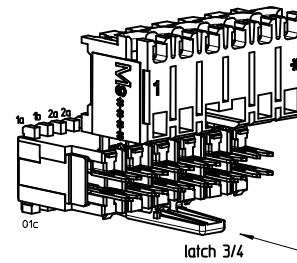
VIEWING DIRECTION



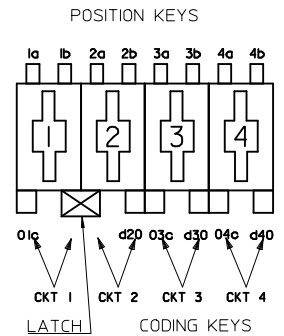
SEE SHEET 1
EC NO: IFC2013-1423
DRAWN: SULLIVAN012013/03/13
CHKD: BRITTLE 2013/03/13
APPR: STURTELLIN 2013/03/29

QUALITY SYMBOLS ▽=0 ▽=0	GENERAL TOLERANCES (UNLESS SPECIFIED)	DIMENSION STYLE MM ONLY	SCALE 1:1	DESIGN UNITS METRIC	THIRD ANGLE PROJECTION
	4 PLACES ± --- ± --- 3 PLACES ± --- ± --- 2 PLACES ± 0.05 ± --- 1 PLACE ± 0.10 ± --- ANGULAR ± .5°	mm INCH	DRAWN BY BRITTLE	DATE 2012/08/21	TITLE 5MM APPLI-MATE 10A
DRAFT WHERE APPLICABLE MUST REMAIN WITHIN DIMENSIONS		APPROVED BY	DATE	molex MOLEX INCORPORATED	
		MATERIAL NO.	DOCUMENT NO.	SD-91778-001	SHEET NO. 7 OF 10
		THIS DRAWING CONTAINS INFORMATION THAT IS PROPRIETARY TO MOLEX INCORPORATED AND SHOULD NOT BE USED WITHOUT WRITTEN PERMISSION			

MOLEX PART NO.	HOUSING NO.	CIRCUIT SIZE	COLOUR	POSITION KEYS	CODING KEYS	LATCH POSITION	CONFIGURATION	COLOUR STRIPE	REF
91778-0601	91778-9081	8	NATURAL	1a 1b 2a 2b 3a 3b 4a 4b 5a 5b 6a 6b 7a 7b 8a 8b	01c d10 02c d20 03c d40 05c d60 07c d70 08c d80	3/4 5/6		NONE	K00
91778-0602	91778-9081	8	NATURAL	1b 3a 3b 5a 5b 7a 8a	01c d20 03c 05c 07c	3/4 5/6		NONE	K36
91778-0603	91778-9082	8	NATURAL	1a 1b 2a 2b 3a 3b 4a 4b 5a 5b 6a 6b 7a 7b 8a 8b	01c d20 03c d30 04c d40 05c d50 06c d60 07c d80	1/2 7/8		NONE	K90
91778-0604	91778-9082	8	NATURAL	1a 1b 2a 2b 3a 3b 4a 4b 5a 5b 6a 6b 7a 7b 8a 8b	03c d60	1/2 7/8		NONE	K39
91778-0605	91778-9082	8	NATURAL	2b 8a	03c d60	1/2 7/8		NONE	K--
91778-0606	91778-9083	8	NATURAL	8b	02c d30 07c	2/3 7/8		NONE	K--
91778-0607	91778-9084	8	NATURAL	2b 8a	03c d60	1/2		NONE	K--
91778-0608	91778-9085	8	NATURAL	8b	02c d30	2/3		NONE	K49
91778-0609	91778-9082	8	NATURAL	NONE	d20 03c d60 07c	1/2 7/8		NONE	K--
91778-0610	91778-9082	8	NATURAL	7b 8a	d20 03c d60 07c	1/2 7/8		NONE	K--



KEYING, CODING & LATCH IDENTIFICATION VIEW IN MATING DIRECTION

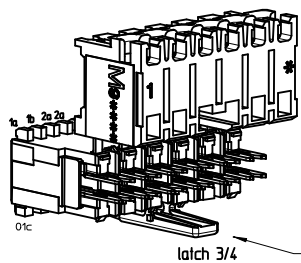
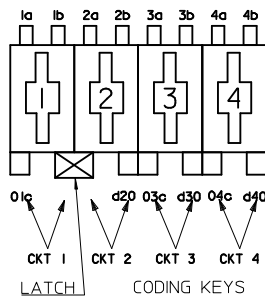


SEE SHEET 1 EC NO: IFC2013-1423 DRWN:ROSULLIVAN012013/03/13 CHKD:BRUTTE 2013/03/13 APPR:STGERIFFIN 2013/03/29 AA	QUALITY SYMBOLS 	GENERAL TOLERANCES (UNLESS SPECIFIED) <table border="1"> <thead> <tr> <th></th> <th>mm</th> <th>INCH</th> </tr> </thead> <tbody> <tr> <td>4 PLACES</td> <td>± ---</td> <td>± ---</td> </tr> <tr> <td>3 PLACES</td> <td>± ---</td> <td>± ---</td> </tr> <tr> <td>2 PLACES</td> <td>± 0.05</td> <td>± ---</td> </tr> <tr> <td>1 PLACE</td> <td>± 0.10</td> <td>± ---</td> </tr> <tr> <td colspan="3">ANGULAR ± .5 °</td> </tr> </tbody> </table>		mm	INCH	4 PLACES	± ---	± ---	3 PLACES	± ---	± ---	2 PLACES	± 0.05	± ---	1 PLACE	± 0.10	± ---	ANGULAR ± .5 °			DIMENSION STYLE MM ONLY	SCALE 1:1	DESIGN UNITS METRIC	THIRD ANGLE PROJECTION
		mm	INCH																					
	4 PLACES	± ---	± ---																					
	3 PLACES	± ---	± ---																					
2 PLACES	± 0.05	± ---																						
1 PLACE	± 0.10	± ---																						
ANGULAR ± .5 °																								
DESCRIPTION 5MM APPLI-MATE 10A	DRAWN BY BRUTTE	DATE 2012/08/21	TITLE 5MM APPLI-MATE 10A																					
APPROVED BY 	DATE 	MATERIAL NO. SEE CHARTS																						
DRAFT WHERE APPLICABLE MUST REMAIN WITHIN DIMENSIONS	APPROVED BY 		DATE 	DOCUMENT NO. SD-91778-001																				
SIZE A2	THIS DRAWING CONTAINS INFORMATION THAT IS PROPRIETARY TO MOLEX INCORPORATED AND SHOULD NOT BE USED WITHOUT WRITTEN PERMISSION																							
					SHEET NO. 8 OF 10																			

MOLEX PART NO.	HOUSING NO.	CIRCUIT SIZE	COLOUR	POSITION KEYS	CODING KEYS	LATCH POSITION	CONFIGURATION	COLOUR STRIPE	REF
91778-0701	91778-9091	9	NATURAL	1a 1b 2a 2b 3a 3b 4a 4b 5a 5b 6a 6b 7a 7b 8a 8b 9a 9b	01c d10 02c d20 03c d40 05c d50 06c d70 08c d80 09c d90	3/4 6/7		NONE	K00
91778-0702	91778-9091	9	NATURAL	1b 2a 3a 5a 6a 7b 8b	01c 03c d70 08c d90	3/4 6/7		NONE	K34
91778-0703	91778-9093	9	NATURAL	2b 5a	d80	2/3 7/8		NONE	K03
91778-0704	91778-9092	9	NATURAL	1b	03c	5/6		NONE	K0A
91778-0705	91778-9094	9	NATURAL	2b 3b 4a 5a 6b	d10 02c 04c 08c d90	2/3 4/5 6/7 8/9		NONE	K--
91778-0706	91778-9095	9	NATURAL	1b 2a 4b 5a 8b 9b	01c d20 d70 08c	1/2 4/5 6/7 8/9		NONE	K--
91778-0707	91778-9096	9	NATURAL	5b 6a	NONE	3/4 7/8		NONE	K--
91778-0708	91778-9097	9	NATURAL	5b 6a	d30 d70	1/2 6/7		NONE	K--
91778-0709	91778-9097	9	NATURAL	5b	d30 04c d70 08c	1/2 6/7		NONE	K--

MOLEX PART NO.	HOUSING NO.	CIRCUIT SIZE	COLOUR	POSITION KEYS	CODING KEYS	LATCH POSITION	CONFIGURATION	COLOUR STRIPE	REF
91778-0801	91778-9101	10	NATURAL	1a 1b 2a 2b 3a 3b 4a 4b 5a 5b 6a 6b 7a 7b 8a 8b 9a 9b 10a 10b	01c d10 02c d20 03c d40 05c d50 06c d60 07c d80 09c d90 10c d100	3/4 7/8		NONE	K00
91778-0802	91778-9101	10	NATURAL	1a 3b 7b 8a	01c d20 d40 05c d100	3/4 7/8		NONE	K34
91778-0803	91778-9102	10	NATURAL	1a 1b 2a 2b 3a 3b 4a 4b 5a 5b 6a 6b 7a 7b 8a 8b 9a 9b 10a 10b	01c d10 02c d20 03c d30 04c d50 06c d60 07c d80 09c d90 10c d100	4/5 7/8		NONE	K98
91778-0804	91778-9103	10	NATURAL	1a 1b 2a 2b 3a 3b 4a 4b 5a 5b 6a 6b 7a 7b 8a 8b 9a 9b 10a 10b	01c d10 02c d20 03c d30 04c d50 06c d70 08c d80 09c d90 10c d100	4/5 6/7		NONE	K99
91778-0805	91778-9102	10	NATURAL	1a 10b	07c	4/5 7/8		NONE	K39
91778-0806	91778-9103	10	NATURAL	1b 9a	06c	4/5 6/7		NONE	K40
91778-0807	91778-9104	10	NATURAL	1b	03c	5/6		NONE	K--
91778-0808	91778-9104	10	NATURAL	4b 6b 8a 8b	d100	5/6		NONE	K--
91778-0809	91778-9105	10	NATURAL	4b 6b 8a 8b	06c d100	NONE		NONE	K--
91778-0810	91778-9106	10	NATURAL	NONE	d30 04c d70 08c	2/3 8/9		NONE	K--
91778-0811	91778-9107	10	NATURAL	2b 3a	d30 04c d70 08c	5/6 8/9		NONE	K--
91778-0812	91778-9107	10	NATURAL	8b 9a	d30 04c d70 08c	5/6 8/9		NONE	K--
91778-0813	91778-9107	10	NATURAL	8b	d30 04c d70 08c	5/6 8/9		NONE	K--

POSITION KEYS



KEYING, CODING & LATCH IDENTIFICATION VIEW IN MATING DIRECTION

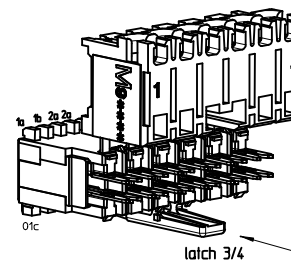
VIEWING DIRECTION

latch 3/4

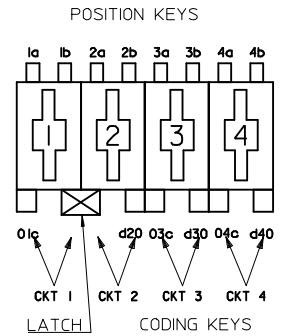
SEE SHEET 1 EC NO: IFC2013-1423 DRAWN: SULLIVAN012013/03/13 CHKD: BRITTLE 2013/03/13 APPR: STIGLITZ 2013/03/29 AA	QUALITY SYMBOLS ▽=0 ▽=0	GENERAL TOLERANCES (UNLESS SPECIFIED)		DIMENSION STYLE MM ONLY		SCALE 1:1	DESIGN UNITS METRIC	THIRD ANGLE PROJECTION	
		4 PLACES ± --- ± --- 3 PLACES ± --- ± --- 2 PLACES ± 0.05 ± --- 1 PLACE ± 0.10 ± --- ANGULAR ± .5°	DRAWN BY BRITTLE	DATE 2012/08/21	TITLE 5MM APPLI-MATE 10A				
		APPROVED BY DATE		MATERIAL NO. SEE CHARTS		DOCUMENT NO. SD-91778-001		SHEET NO. 9 OF 10	
		DRAFT WHERE APPLICABLE MUST REMAIN WITHIN DIMENSIONS		THIS DRAWING CONTAINS INFORMATION THAT IS PROPRIETARY TO MOLEX INCORPORATED AND SHOULD NOT BE USED WITHOUT WRITTEN PERMISSION					

MOLEX PART NO.	HOUSING NO.	CIRCUIT SIZE	COLOUR	POSITION KEYS	CODING KEYS	LATCH POSITION	CONFIGURATION	COLOUR STRIPE	REF
91778-0901	91778-9111	11	NATURAL	1a 1b 2a 2b 3a 3b 4a 4b 5a 5b 6a 6b 7a 7b 8a 8b 9a 9b 10a 10b 11a 11b	01c d10 02c d20 03c d40 05c d50 06c d60 07c d70 08c d90 10c d100 11c d110	3/4 8/9		NONE	K00
91778-0902	91778-9111	11	NATURAL	1a 2b 3b 4a 4b 5a 7a 8a 9a 10a 11a	01c d40 05c 08c 010c	3/4 8/9		NONE	K33

MOLEX PART NO.	HOUSING NO.	CIRCUIT SIZE	COLOUR	POSITION KEYS	CODING KEYS	LATCH POSITION	CONFIGURATION	COLOUR STRIPE	REF
91778-1001	91778-9121	12	NATURAL	1a 1b 2a 2b 3a 3b 4a 4b 5a 5b 6a 6b 7a 7b 8a 8b 9a 9b 10a 10b 11a 11b 12a 12b	01c d10 02c d20 03c d40 05c d50 06c d60 07c d70 08c d80 09c d100 11c d110 12c d120	3/4 9/10		NONE	K00
91778-1002	91778-9121	12	NATURAL	1a 2a 4a 4b 5a 6b 8a 11a	01c 03c 05c 07c d80 d100 11c	3/4 9/10		NONE	K41



KEYING, CODING & LATCH IDENTIFICATION VIEW IN MATING DIRECTION



SEE SHEET 1 EC NO: IPG2013-1423 DRW: ROSULLI VANDI 2013/03/13 CHKD: BRUTTLE 2013/03/13 APPR: STURIFFLIN 2013/03/29	QUALITY SYMBOLS	GENERAL TOLERANCES (UNLESS SPECIFIED)	DIMENSION STYLE	SCALE	DESIGN UNITS	THIRD ANGLE PROJECTION																		
	$\nabla=0$ $\nabla=0$	<table border="1"> <tr> <th></th> <th>mm</th> <th>INCH</th> </tr> <tr> <td>4 PLACES</td> <td>± ---</td> <td>± ---</td> </tr> <tr> <td>3 PLACES</td> <td>± ---</td> <td>± ---</td> </tr> <tr> <td>2 PLACES</td> <td>± 0.05</td> <td>± ---</td> </tr> <tr> <td>1 PLACE</td> <td>± 0.10</td> <td>± ---</td> </tr> <tr> <td colspan="3">ANGULAR ± .5°</td> </tr> </table>		mm	INCH	4 PLACES	± ---	± ---	3 PLACES	± ---	± ---	2 PLACES	± 0.05	± ---	1 PLACE	± 0.10	± ---	ANGULAR ± .5°			MM ONLY	1:1	METRIC	
		mm	INCH																					
	4 PLACES	± ---	± ---																					
3 PLACES	± ---	± ---																						
2 PLACES	± 0.05	± ---																						
1 PLACE	± 0.10	± ---																						
ANGULAR ± .5°																								
DRAFT WHERE APPLICABLE MUST REMAIN WITHIN DIMENSIONS	DRAWN BY: BRUTTLE DATE: 2012/08/21 CHECKED BY: _____ DATE: _____ APPROVED BY: _____ DATE: _____	TITLE: 5MM APPLI-MATE 10A																						
AA	DESCRIPTION	MATERIAL NO.	MOLEX INCORPORATED DOCUMENT NO. SD-91778-001		SHEET NO. 10 OF 10																			