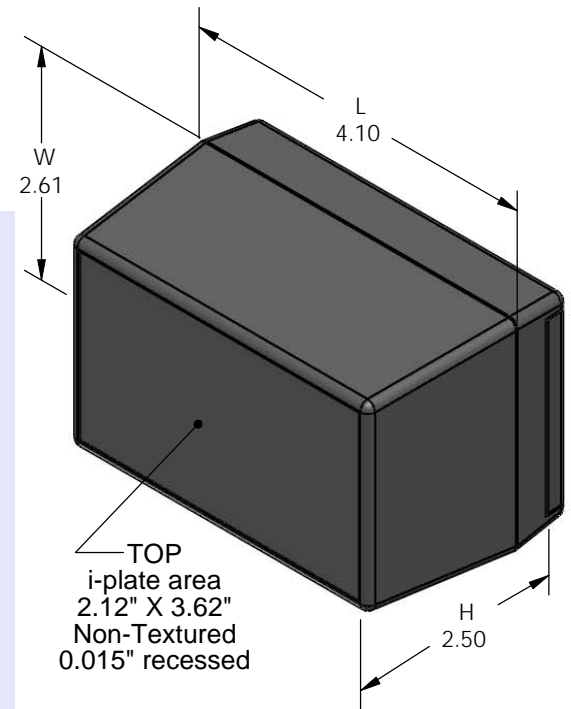
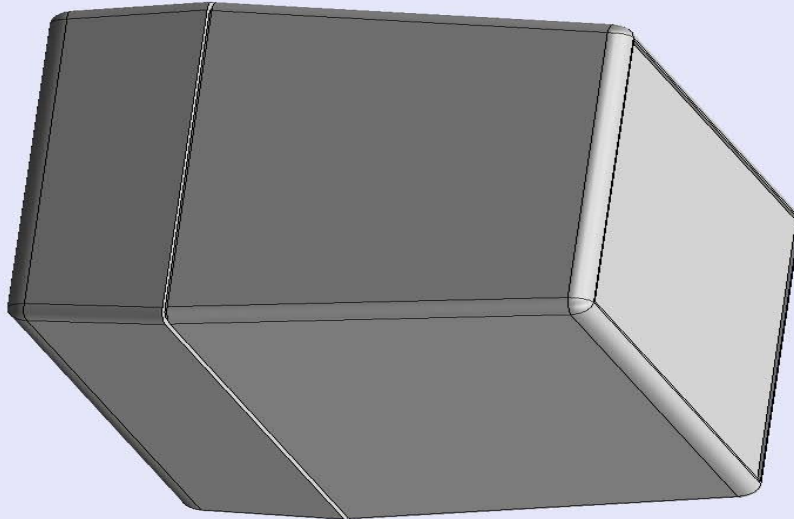


# SERPAC 223i (3D exploded)

Electronic Enclosures

- Click on image to show toolbar. Use ▶ || to Play/Pause Animation.
- Left click and drag on image to move 3D model.



- Zoom in & out with center wheel.
- Pause at any moment to view and or print views.
- Change the views to ortho and section views if needed from the Views pull down menu.
- Explore options included in the tool bar like: Views, Transparency of model, Lighting type, etc.

Notes: (Enclosure weight 0.21 lb / 98 gm)

1) Enclosure meets or exceeds IP40 and NEMA 1

2) Top Circuit Board drawings can be download at:

[http://www.serpac.com/Products/Accessories/CircuitBoard/drawings/CB\\_12X.pdf](http://www.serpac.com/Products/Accessories/CircuitBoard/drawings/CB_12X.pdf)

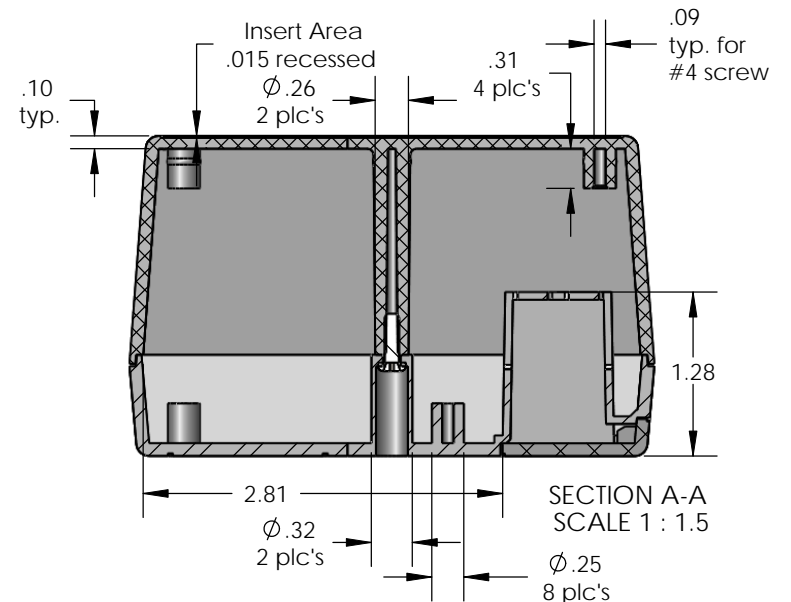
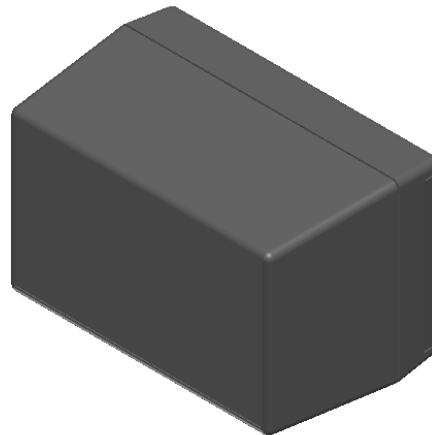
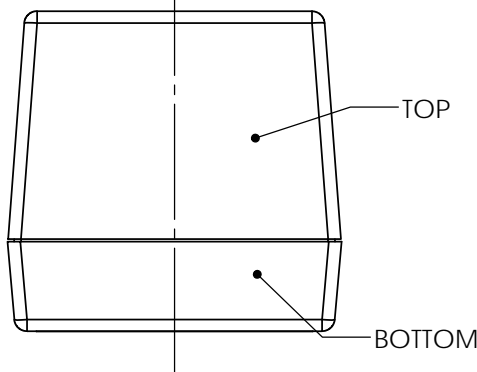
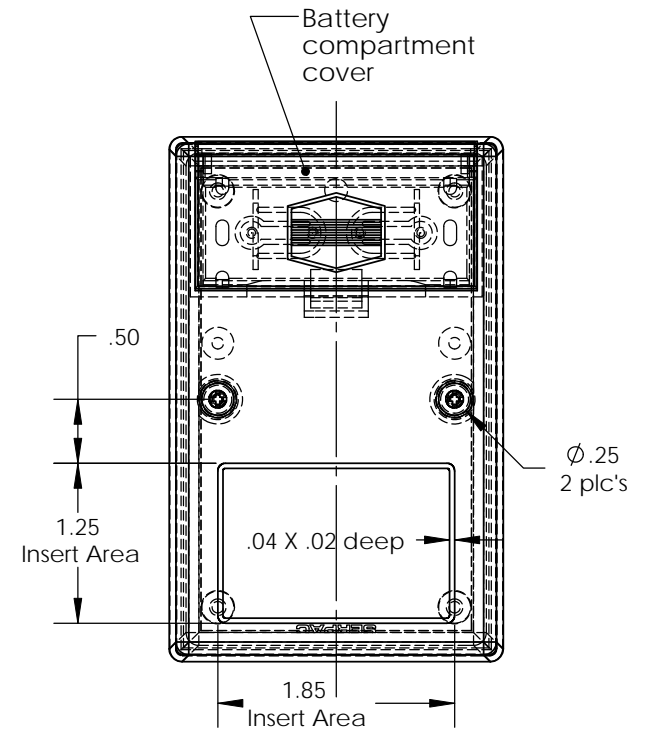
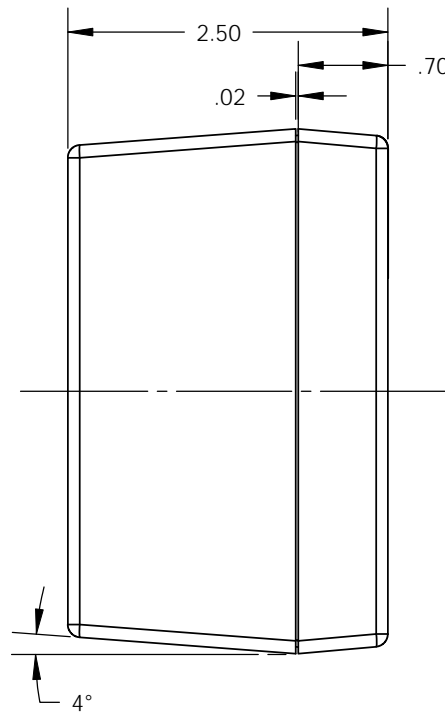
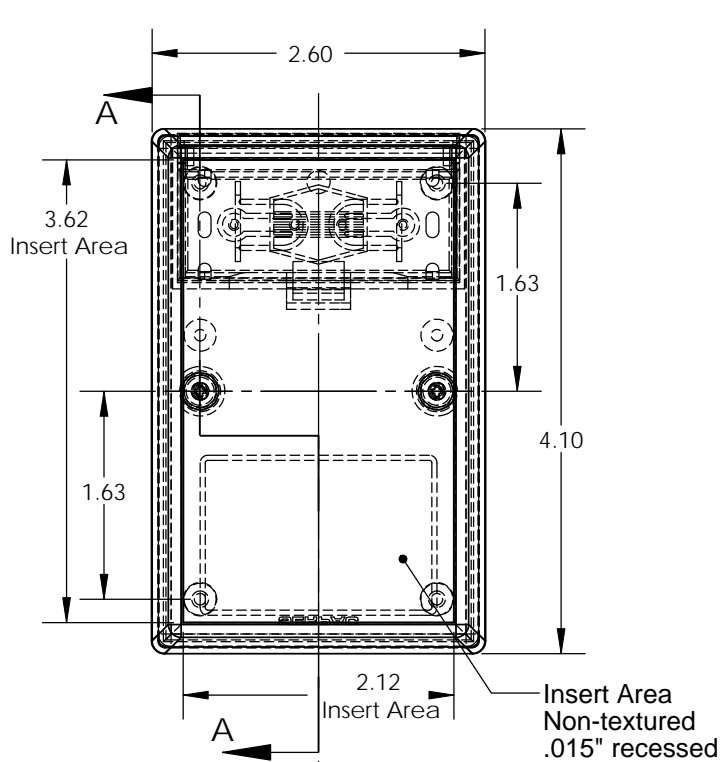
3) All components are RoHS Compliant.

PART NO.	DESCRIPTION (Included)	ACCESSORIES (Optional)	
2-3i	TOP	PART NO.	DESCRIPTION
22	BOTTOM	319	Prototype grid board (Bottom)
1025	Battery Cover	419	Prototype clad board (Bottom)
6005	#4X3/8" Self tapping (2)		

ALL DIMENSIONS ARE ±.010" 4/12/10 (1 of 2)  
 619 Commercial Ave. Covina, CA 91723  
 Ph. (626) 331-0517 Fx. (626) 331-8584 [serpac.com](http://serpac.com)

# SERPAC 223i (user print)

Electronic Enclosures



PART NO.	DESCRIPTION (Included)	ACCESSORIES (Optional)	
2-3i	TOP	PART NO.	DESCRIPTION
22	BOTTOM	319	Prototype grid board (Bottom)
1025	Battery Cover	419	Prototype clad board (Bottom)
6005	#4X3/8" self tapping (2)		

Notes: (Enclosure weight 0.21 lb / 98 gm)  
 1) Enclosure meets or exceeds IP40 and NEMA 1  
 2) Top Circuit Board drawings can be download at:

[http://www.serpac.com/Products/Accessories/CircuitBoard/drawings/CB\\_12X.pdf](http://www.serpac.com/Products/Accessories/CircuitBoard/drawings/CB_12X.pdf)

3) All components are RoHS Compliant.

**ALL DIMENSIONS ARE ± .010" 4/12/10 (2 of 2)**  
**619 Commercial Ave. Covina, CA 91723**

Ph. (626) 331-0517 Fx. (626) 331-8584 [www.serpac.com](http://www.serpac.com)

