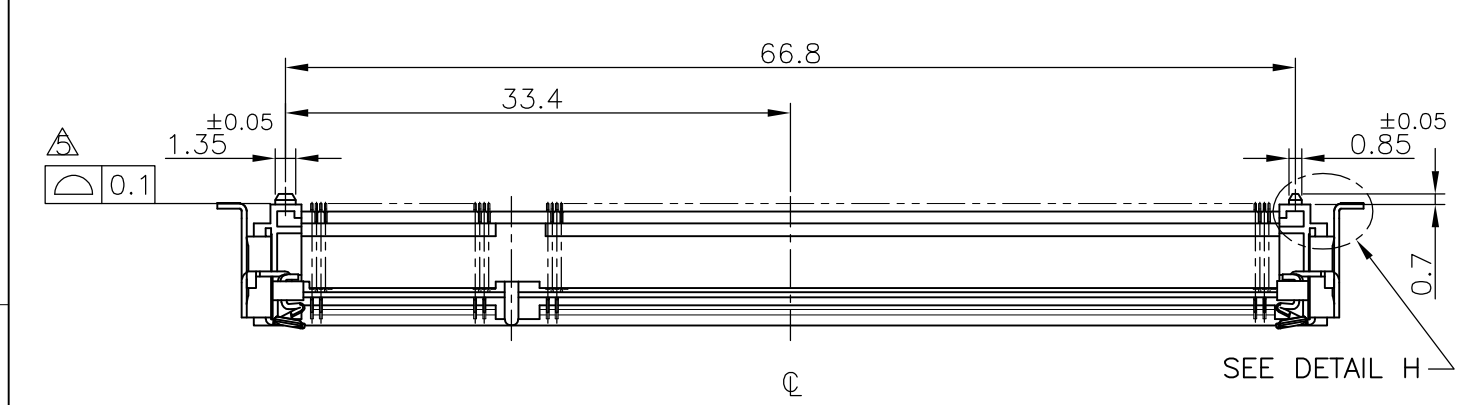
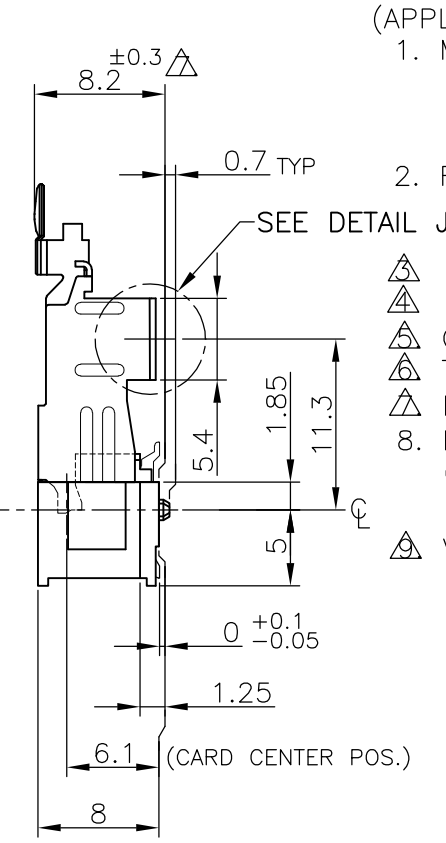
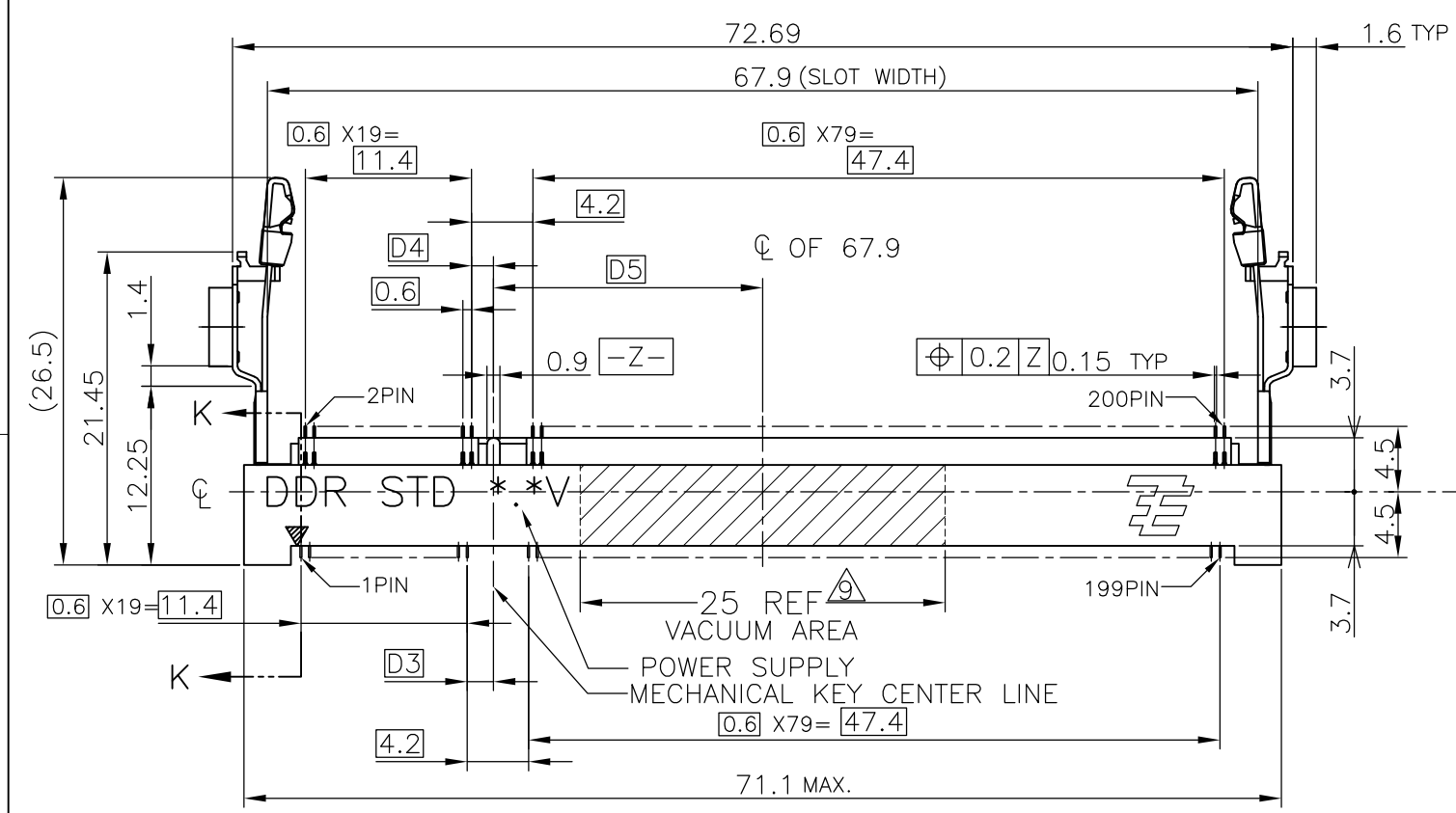
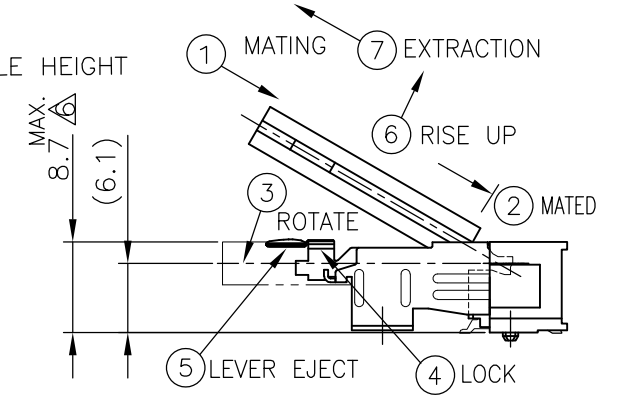
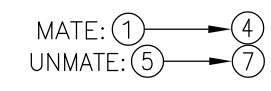


THIS DRAWING IS UNPUBLISHED. RELEASED FOR PUBLICATION FEB. 2005.
 © COPYRIGHT 2005 By - ALL RIGHTS RESERVED.

LOC		DIST		REVISIONS			
ES	/	P	LTR	DESCRIPTION	DATE	DWN	APVD
			G2	REVISED PER ECO-11-005033	29MAR11	RK	HMR

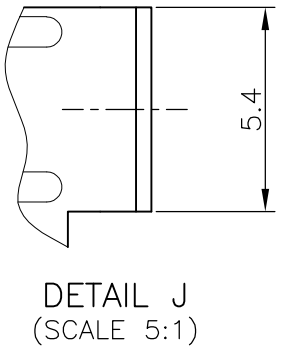
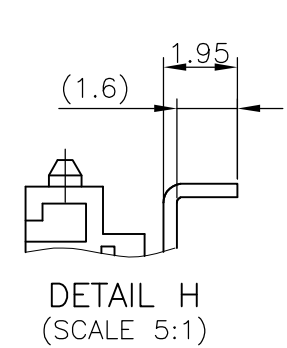
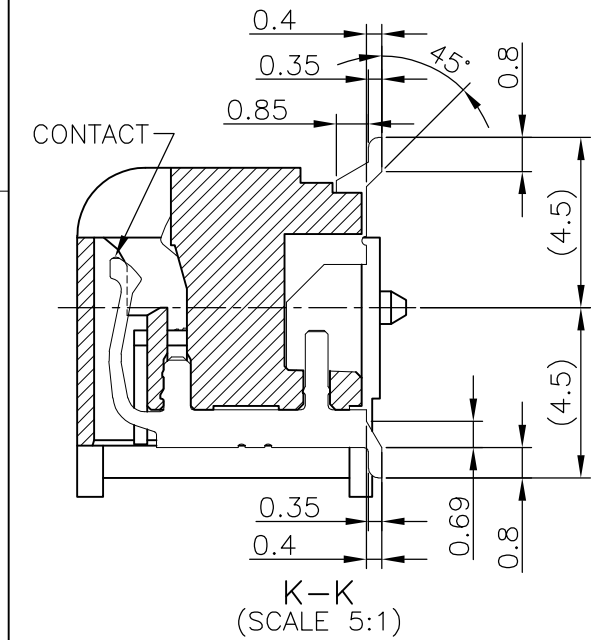


HOW TO MATE AND UNMATE



(APPLIED TO SHEET 1-2)

- MATERIAL ; HOUSING:HIGH TEMPERATURE THERMO PLASTIC UL94V-0, COLOR : BLACK
 CONTACT : COPPER ALLOY
 LOCK LEVER : STAINLESS STEEL
- FINISH ; CONTACT : Au PL. IN CONTACT AREA AND SOLDERING AREA ON NICKEL UNDER PL.
 SOLDERING AREA(LOCK LEVER) : TIN PL.
- MECHANICAL KEY POSITION OF CONNECTOR SEE TABLE.
- TOLERANCES NON-CUMMURATIVE.
- COPLANARITY: 0.1MAX
- THE FLOATING VALUE BY SOLDERING IS NOT INCLUDED.
- NOT MATING CONDITION.
- IF THE MODULE DOESN'T INSERT AND LOCK IN THE LATCH SMOOTHLY, OPEN WIDE BOTH LATCHES BY MANUAL. AND THE MODULE MUST BE INSERTED AND LOCKED IN THE LATCH.
- VACUUM AREA MUST BE FLAT AND NO HOT MARK.



GENERAL TOLERANCE
 10 ≥ : ±0.2
 30 ≥ > 10: ±0.25
 100 ≥ > 30: ±0.3
 ANGLES: ±3'

AVAILABLE	1.8V (DDR2)	17.55	2.4	2.7	200	1827341-4
NOT AVAILABLE	2.5V (DDR1)	18.45	1.5	1.8	200	-
TOOLING STATUS	POWER SUPPLY (TYPE)	D5	D4	D3	POS	PART NO.

THIS DRAWING IS A CONTROLLED DOCUMENT.

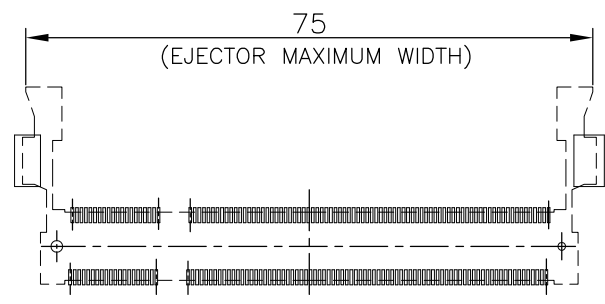
DWN T.FUMIKURA 04FEB05
 CHK
 APVD
 PRODUCT SPEC 108-5701
 APPLICATION SPEC

TE Connectivity
 NAME
 DDR1 & DDR2 SODIMM SOCKET 0.6mm PITCH
 200POS 8mm HEIGHT STANDARD TYPE
 (LATCH DIRECT SOLDERING TYPE)

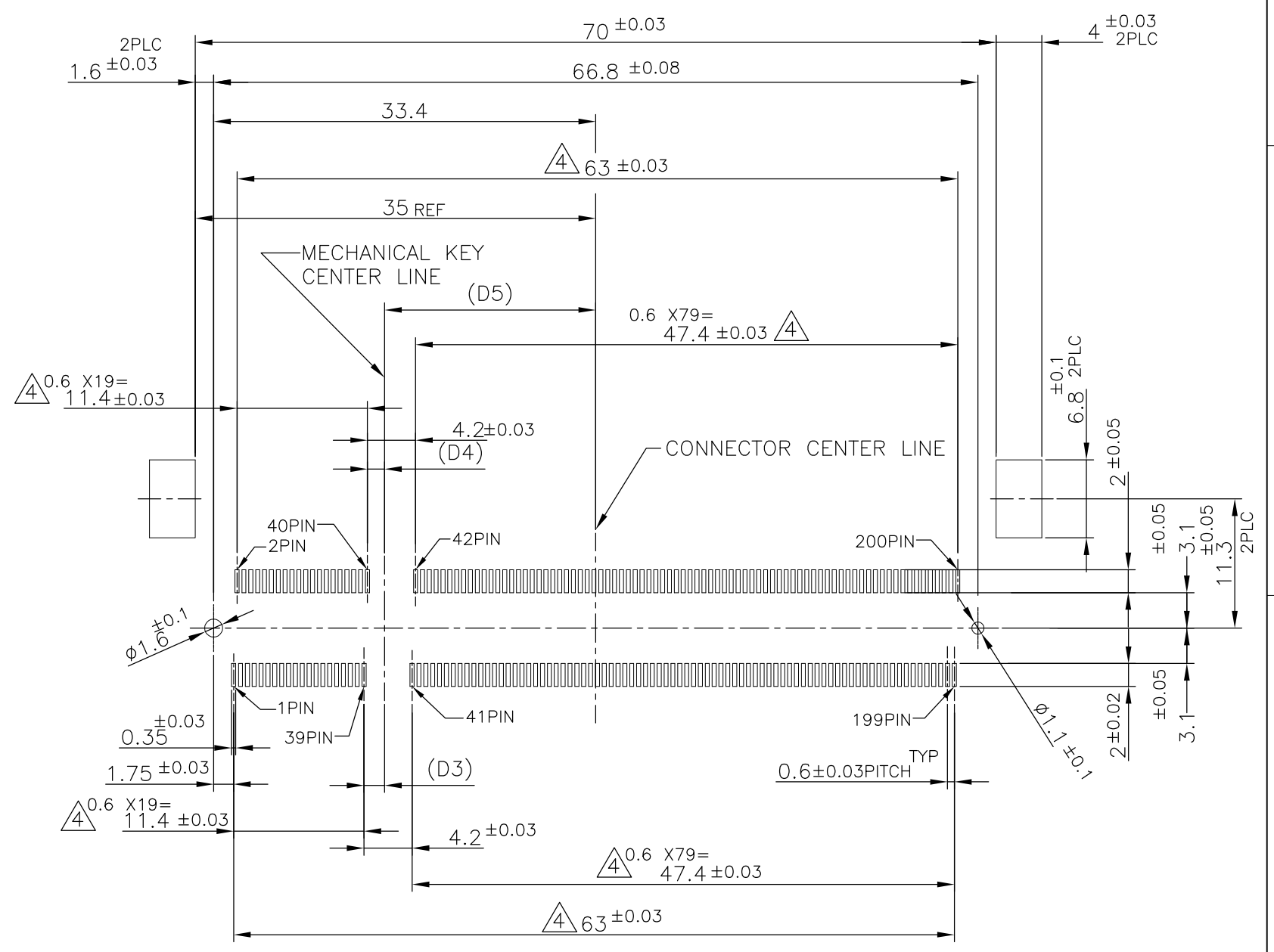
SIZE A3 CAGE CODE 00779 DRAWING NO C-1827341 RESTRICTED TO
 WEIGHT
 CUSTOMER DRAWING SCALE 2:1 SHEET 1 OF 4 REV G2

THIS DRAWING IS UNPUBLISHED. RELEASED FOR PUBLICATION FEB ,2005.
 © COPYRIGHT 2005 By - ALL RIGHTS RESERVED.

LOC	DIST	REVISIONS			
P	LTR	DESCRIPTION	DATE	DWN	APVD
ES		SEE SHEET 1	-	-	-



REAL SIZE (SCALE 1:1)

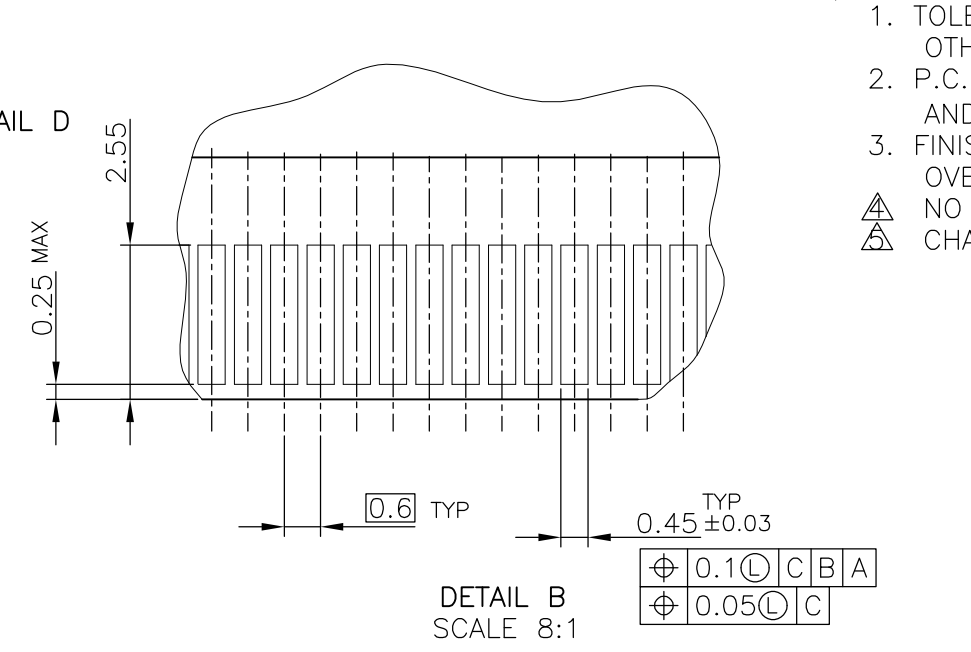
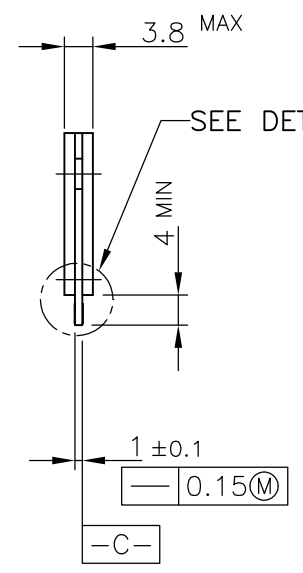
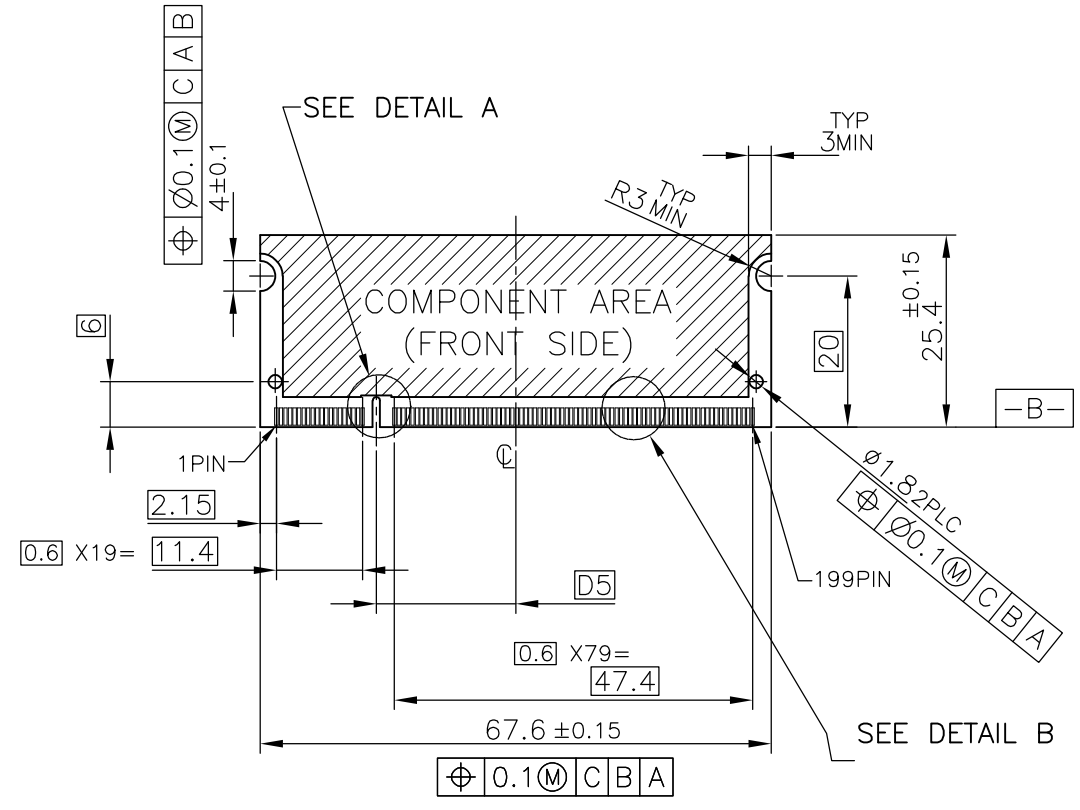


REFERENCE P.C.BOARD PATTERN LAYOUT FOR DUAL USE
(CONNECTOR MOUNTING SIDE)

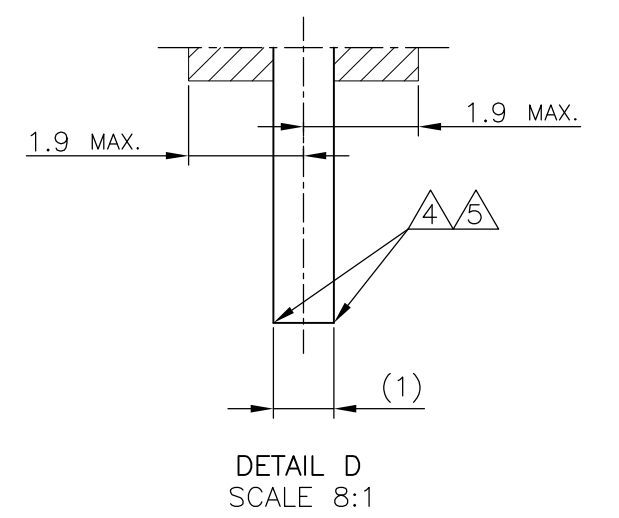
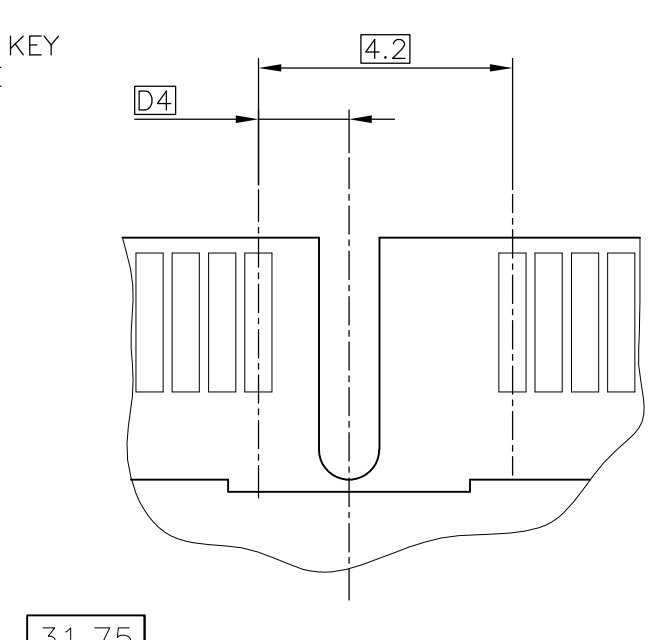
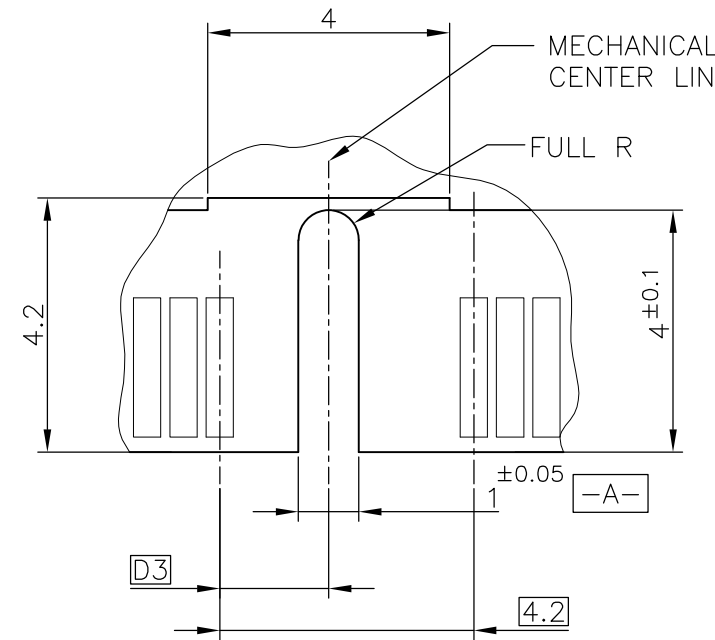
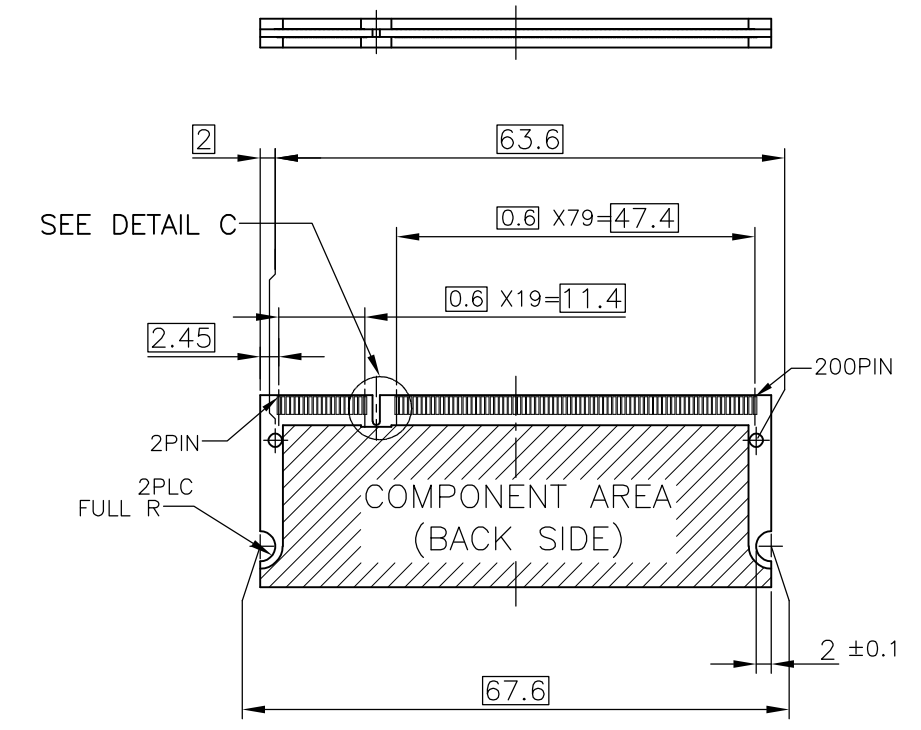
THIS DRAWING IS A CONTROLLED DOCUMENT.		DWN	TE Connectivity		
DIMENSIONS: MM		CHK			
TOLERANCES UNLESS OTHERWISE SPECIFIED:		APVD	NAME		
0 PLC ±		PRODUCT SPEC	DDR1 & DDR2 SODIMM SOCKET 0.6mm PITCH		
1 PLC ±		APPLICATION SPEC	200POS 8mm HEIGHT STANDARD TYPE		
2 PLC ±		WEIGHT	(LATCH DIRECT SOLDERING TYPE)		
3 PLC ±		CUSTOMER DRAWING	SIZE	CAGE CODE	DRAWING NO
4 PLC ±			A3	00779	C-1827341
ANGLES ±		SCALE	RESTRICTED TO		
FINISH		2:1	SHEET		REV
			2 OF 4		G2

THIS DRAWING IS UNPUBLISHED. RELEASED FOR PUBLICATION FEB ,2005.
 © COPYRIGHT 2005 By - ALL RIGHTS RESERVED.

LOC		DIST		REVISIONS			
ES		P	LTR	DESCRIPTION	DATE	DWN	APVD
		-	-	SEE SHEET 1	-	-	-



- (APPLIED TO SHEET 3)
1. TOLERANCES ON ALL DIMENSIONS ±0.15 UNLESS OTHERWISE SPECIFIED.
 2. P.C.BOARD THICKNESS APPLIES ACROSS TABS AND INCLUDES PLATING AND/OR METALIZATION.
 3. FINISH OF PAD : GOLD PLATING 0.00076 MIN. OVER Ni PLATING 0.002MIN.
- △ NO BURR.
 ▽ CHAMFER 0.25 MAX x 45° IF EXIST.



31.75
25.4
H

1.8V	17.55	2.4	2.7
2.5V	18.45	1.5	1.8
POWER SUPPLY	D5	D4	D3

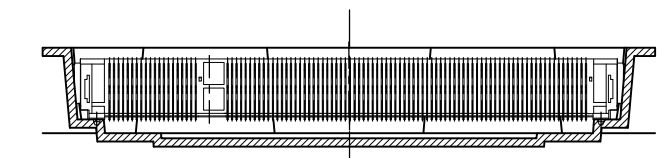
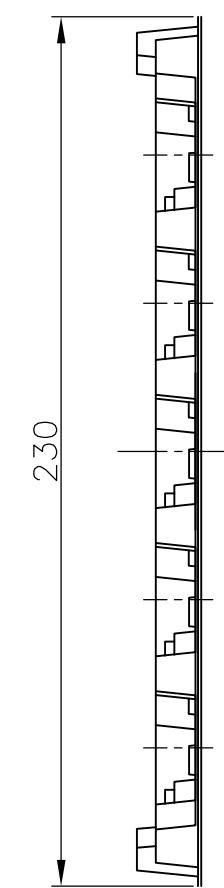
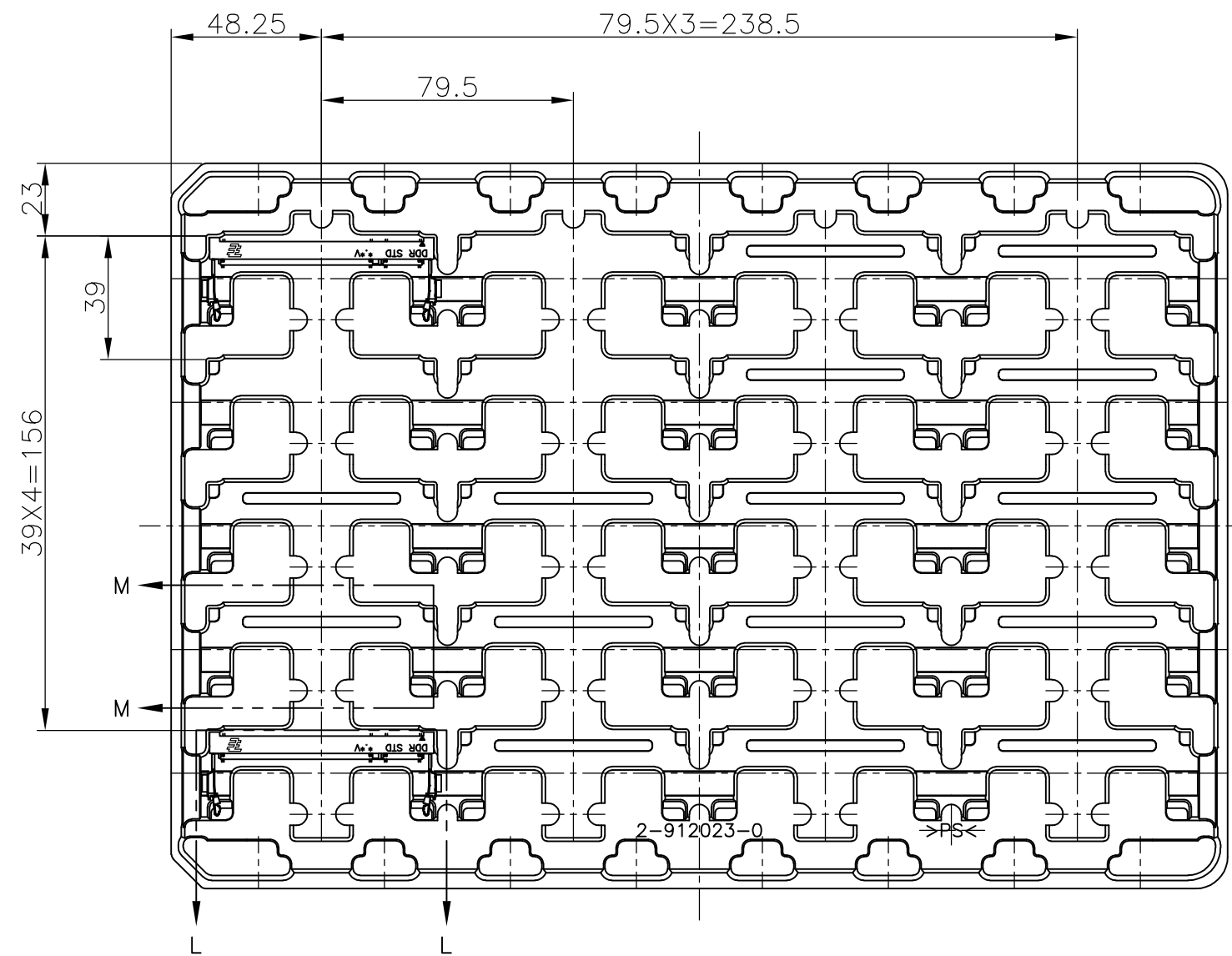
推奨基板仕様
 RECOMMENDED MATING P.C.B CONFIGRATION

THIS DRAWING IS A CONTROLLED DOCUMENT.

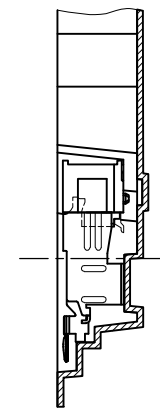
DIMENSIONS: MM	TOLERANCES UNLESS OTHERWISE SPECIFIED:	DWN	TE Connectivity			
0 PLC ± 1 PLC ± 2 PLC ± 3 PLC ± 4 PLC ± ANGLES ± MATERIAL FINISH ±		CHK	NAME			
		APVD	DDR1 & DDR2 SODIMM SOCKET 0.6mm PITCH 200POS 8mm HEIGHT STANDARD TYPE (LATCH DIRECT SOLDERING TYPE)			
		PRODUCT SPEC	SIZE	CAGE CODE	DRAWING NO	RESTRICTED TO
		APPLICATION SPEC	A3	00779	C-1827341	
		WEIGHT	CUSTOMER DRAWING		SCALE 2:1	SHEET 3 OF 4
					REV G2	

THIS DRAWING IS UNPUBLISHED. RELEASED FOR PUBLICATION FEB , 2005.
 © COPYRIGHT 2005 By - ALL RIGHTS RESERVED.

LOC		DIST		REVISIONS			
P	LTR	DESCRIPTION		DATE	DWN	APVD	
	-	SEE SHEET 1		-	-	-	

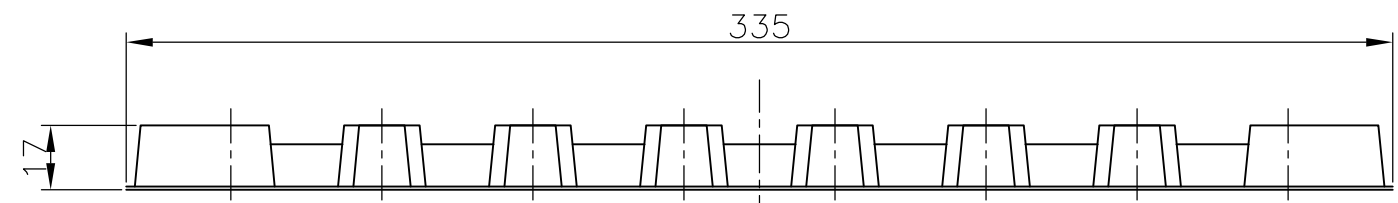


L-L
SCALE 1:1
(180DEG. ROTATE)



M-M
SCALE 1:1

1. THE DIRECTION OF EACH CONNECTOR ON A TRAY IS REFERRED TO THIS DRAWING.
2. GENERAL TOLERANCE: ±0.5



20EA/TRAY	1827341-4
QTY	P/N

THIS DRAWING IS A CONTROLLED DOCUMENT.		DWN		TE Connectivity	
DIMENSIONS: MM		CHK			
		APVD			
TOLERANCES UNLESS OTHERWISE SPECIFIED: 0 PLC ± 1 PLC ± 2 PLC ± 3 PLC ± 4 PLC ± ANGLES ± FINISH		NAME			
MATERIAL		PRODUCT SPEC		DDR1 & DDR2 SODIMM SOCKET 0.6mm PITCH 200POS 8mm HEIGHT STANDARD TYPE (LATCH DIRECT SOLDERING TYPE)	
		APPLICATION SPEC		SIZE	RESTRICTED TO
		WEIGHT		A3	
		CUSTOMER DRAWING		CAGE CODE	DRAWING NO
				00779	G-1827341
				SCALE	SHEET
				1:2	4 OF 4
				REV	G2