

ELECTRICAL SPECIFICATIONS

Absolute Maximum Ratings are those values beyond which device life may be impaired.

Symbol	Characteristic	Condition	Rating	Unit
V_{CC}	PECL Power Supply	$V_{EE} = 0V$	0 to + 6.0	V
V_{I_PECL}	PECL Input Voltage	$V_{EE} = 0V$	0 to + 6.0	V
V_{EE}	ECL Power Supply	$V_{CC} = 0V$	-6.0 to 0	V
V_{I_ECL}	ECL Input Supply	$V_{CC} = 0V$	-6.0 to 0	V
I_{HGOUT}	Output Current	Continuous	50	mA
		Surge	100	
T_A	Operating Temperature Range	-	-40 to +85	°C
T_{STG}	Storage Temperature Range	-	-65 to +150	°C
ESD_{HBM}	Human Body Model Electro Static Discharge	-	2500	V
ESD_{MM}	Machine Model Electro Static Discharge	-	200	V
ESD_{CDM}	Charged Device Model Electro Static Discharge	-	2000	V

100K ECL DC Characteristics ($V_{EE} = -3.0V$ to $-5.5V$, $V_{CC} = GND$)

Symbol	Characteristic	-40°C		0°C		25°C		85°C		Unit
		Min	Max	Min	Max	Min	Max	Min	Max	
V_{OH}	Output HIGH Voltage ¹	-1085	-880	-1025	-880	-1025	-880	-1025	-880	mV
V_{OL}	Output LOW Voltage ¹	-1900	-1555	-1900	-1620	-1900	-1620	-1900	-1620	mV
V_{IH}	Input HIGH Voltage D,EN (ECL) ²	-1165	-740	-1165	-740	-1165	-740	-1165	-740	mV
	Input HIGH Voltage EN (CMOS) ³	$V_{EE} + 2000$	V_{CC}	$V_{EE} + 2000$	V_{CC}	$V_{EE} + 2000$	V_{CC}	$V_{EE} + 2000$	V_{CC}	mV
V_{IL}	Input LOW Voltage D,EN (ECL) ²	-1900	-1475	-1900	-1475	-1900	-1475	-1900	-1475	mV
	Input LOW Voltage EN (CMOS) ³	V_{EE}	$V_{EE} + 800$	V_{EE}	$V_{EE} + 800$	V_{EE}	$V_{EE} + 800$	V_{EE}	$V_{EE} + 800$	mV
V_{BB}	Reference Voltage	-1390	-1250	-1390	-1250	-1390	-1250	-1390	-1250	mV
I_{IH}	Input HIGH Current EN		150		150		150		150	µA
I_{IL}	Input LOW Current EN (ECL) ²	0.5		0.5		0.5		0.5		µA
	Input LOW Current EN (CMOS) ³	-150		-150		-150		-150		
I_{EE}	Power Supply Current ¹		34		34		34		37	mA

¹ Specified with each output terminated through 50Ω resistors to $V_{CC} - 2V$.

² EN-SEL connected to V_{EE} through a 20kΩ resistor.

³ EN-SEL connected to V_{EE} or left open (NC).

100K LVPECL DC Characteristics ($V_{EE} = \text{GND}$, $V_{CC} = +3.3\text{V}$)

Symbol	Characteristic	-40°C		0°C		25°C		85°C		Unit
		Min	Max	Min	Max	Min	Max	Min	Max	
V_{OH}	Output HIGH Voltage ^{1,2}	2215	2420	2275	2420	2275	2420	2275	2420	mV
V_{OL}	Output LOW Voltage ^{1,2}	1400	1745	1400	1680	1400	1680	1400	1680	mV
V_{IH}	Input HIGH Voltage D,EN (ECL) ³	2135	2560	2135	2560	2135	2560	2135	2560	mV
	Input HIGH Voltage EN (CMOS) ⁴	2000	V_{CC}	2000	V_{CC}	2000	V_{CC}	2000	V_{CC}	mV
V_{IL}	Input LOW Voltage D,EN (ECL) ³	1400	1825	1400	1825	1400	1825	1400	1825	mV
	Input LOW Voltage EN (CMOS) ⁴	GND	800	GND	800	GND	800	GND	800	mV
V_{BB}	Reference Voltage ¹	1910	2050	1910	2050	1910	2050	1910	2050	mV
I_{IH}	Input HIGH Current EN		150		150		150		150	μA
I_{IL}	Input LOW Current EN (ECL) ³	0.5		0.5		0.5		0.5		μA
	Input LOW Current EN (CMOS) ⁴	-150		-150		-150		-150		
I_{EE}	Power Supply Current ²		34		34		34		37	mA

¹ For supply voltages other than 3.3V, use the ECL table values and ADD supply voltage value.

² Specified with each output terminated through 50Ω resistors to $V_{CC} - 2\text{V}$.

³ EN-SEL connected to V_{EE} through a 20kΩ resistor.

⁴ EN-SEL connected to V_{EE} or left open (NC).

100K PECL DC Characteristics ($V_{EE} = \text{GND}$, $V_{CC} = +5.0\text{V}$)

Symbol	Characteristic	-40°C		0°C		25°C		85°C		Unit
		Min	Max	Min	Max	Min	Max	Min	Max	
V_{OH}	Output HIGH Voltage ^{1,2}	3915	4120	3975	4120	3975	4120	3975	4120	mV
V_{OL}	Output LOW Voltage ^{1,2}	3100	3445	3100	3380	3100	3380	3100	3380	mV
V_{IH}	Input HIGH Voltage D,EN (ECL) ³	3835	4260	3835	4260	3835	4260	3835	4260	mV
	Input HIGH Voltage EN (CMOS) ⁴	2000	V_{CC}	2000	V_{CC}	2000	V_{CC}	2000	V_{CC}	mV
V_{IL}	Input LOW Voltage D,EN (ECL) ³	3100	3525	3100	3525	3100	3525	3100	3525	mV
	Input LOW Voltage EN (CMOS) ⁴	GND	800	GND	800	GND	800	GND	800	mV
V_{BB}	Reference Voltage ¹	3610	3750	3610	3750	3610	3750	3610	3750	mV
I_{IH}	Input HIGH Current EN		150		150		150		150	μA
I_{IL}	Input LOW Current EN (ECL) ³	0.5		0.5		0.5		0.5		μA
	Input LOW Current EN (CMOS) ⁴	-150		-150		-150		-150		
I_{EE}	Power Supply Current ²		34		34		34		37	mA

¹ For supply voltages other than 3.3V, use the ECL table values and ADD supply voltage value.

² Specified with each output terminated through 50Ω resistors to $V_{CC} - 2\text{V}$.

³ EN-SEL connected to V_{EE} through a 20kΩ resistor.

⁴ EN-SEL connected to V_{EE} or left open (NC).

AC Characteristics ($V_{EE} = -3.0V$ to $-5.5V$; $V_{CC}=GND$ or $V_{EE}=GND$; $V_{CC} = +3.0V$ to $+5.5V$)

Symbol	Characteristic	-40°C			0°C			25°C			85°C			Unit
		Min	Typ	Max	Min	Typ	Max	Min	Typ	Max	Min	Typ	Max	
t_{PLH}/t_{PHL}	D to Q/\bar{Q} ¹			450			450			450			450	ps
	EN to Q_{HG}/Qb_{HG} ^{1,2}			3000			3000			3000			3000	ps
t_{SKEW}	Duty Cycle Skew ³		5	20		5	20		5	20		5	20	ps
V_{PP} (AC)	Input Swing ⁴	150		1000	150		1000	150		1000	150		1000	mV
t_R/t_F	Output Rise/Fall ¹ (20% - 80%)	100		240	100		240	100		240	100		240	ps

¹ Specified with each output terminated through 50Ω resistors to $V_{CC} - 2V$.

² Specified from 50% EN input edge to V_{OH} min to V_{OL} max of the Q/\bar{Q} outputs.

³ Duty cycle skew is the difference between a t_{PLH} and t_{PHL} propagation delay through a device.

⁴ V_{PP} is the peak-to-peak differential input swing for which AC parameters are guaranteed.

Tri-state Compatible Operation

The outputs of the CTSLV394 are emitter followers as shown in the left side of Figure 1. When a part is disabled, both outputs are set in the LOW state. This allows a HIGH output from an enabled part to override a disabled output and pull the combined line HIGH as seen in the right hand side of Figure 1. When the enabled part output is LOW, the combined line remains LOW. If all connected CTS94 parts are disabled, both output lines will be in the LOW state. As another feature, while disabled, the input buffer is powered down to minimize feed through.

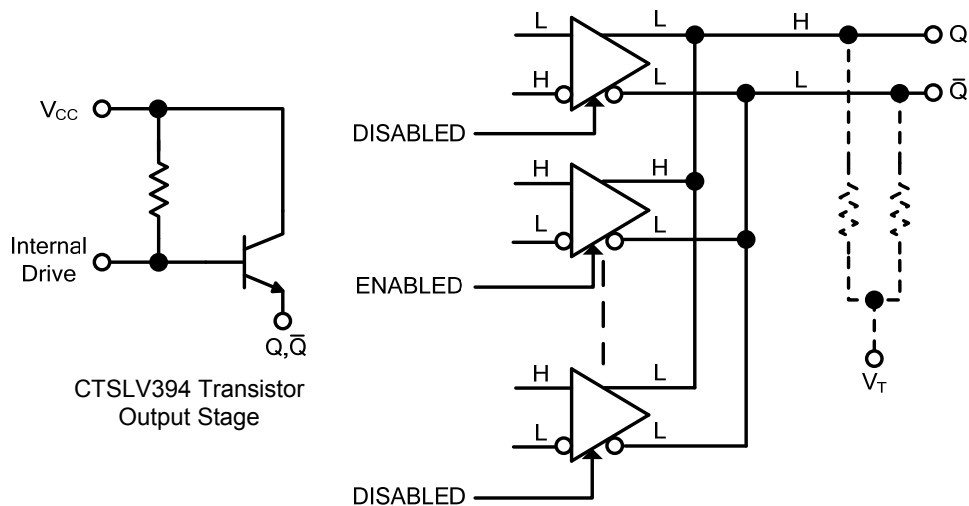


Figure 1: Typical Tri-state Operation

Divide Truth Table

DIV-SEL	÷Ratio
NC	÷1
V_{EE}^1	÷2

¹ DIV-SEL connection must be $\leq 1W$.

Enable Truth Table

EN-SEL	EN	Q	\bar{Q}
NC	CMOS Low or V_{EE}	Low	Low
	CMOS High, V_{CC} or NC	Data	Data
V_{EE}	CMOS Low, V_{EE} or NC	Low	Low
	CMOS High or V_{CC}	Data	Data
20k Ω to V_{EE}	PECL Low, V_{EE} or NC	Low	Low
	PECL High or V_{CC}	Data	Data

Figure 2 illustrates the timing sequences for the CTSLV394 in the ÷1 mode which is determined by leaving the DIV-SEL open (NC). It also illustrates the enable in the active High mode being controlled by a CMOS signal. This mode is determined by leaving the EN-SEL open (NC).

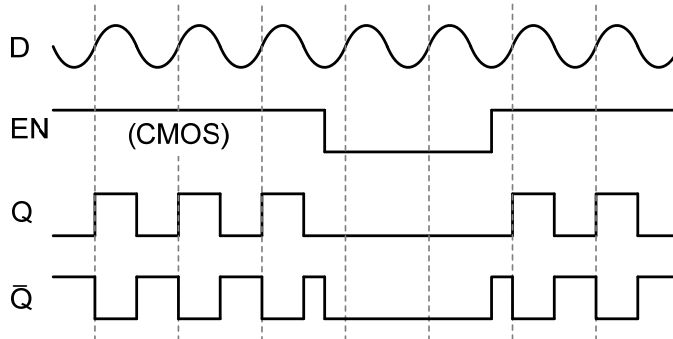


Figure 2

Figure 3 illustrates the timing sequences for the CTSLV394 in the ÷2 mode which is determined by connecting the DIV-SEL to V_{EE} . It also illustrates the enable in the active Low mode being controlled by a PECL signal. This mode is determined by connecting the EN-SEL to V_{EE} via 20k Ω resistor.

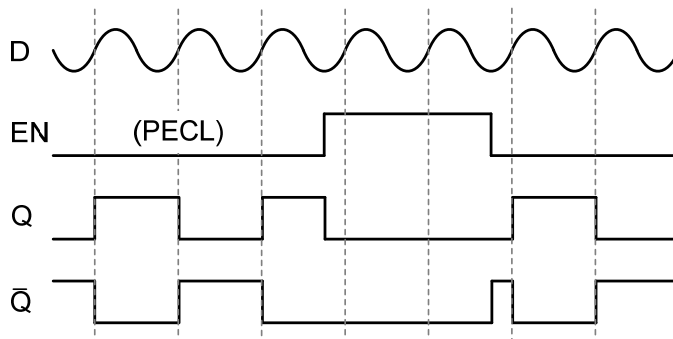
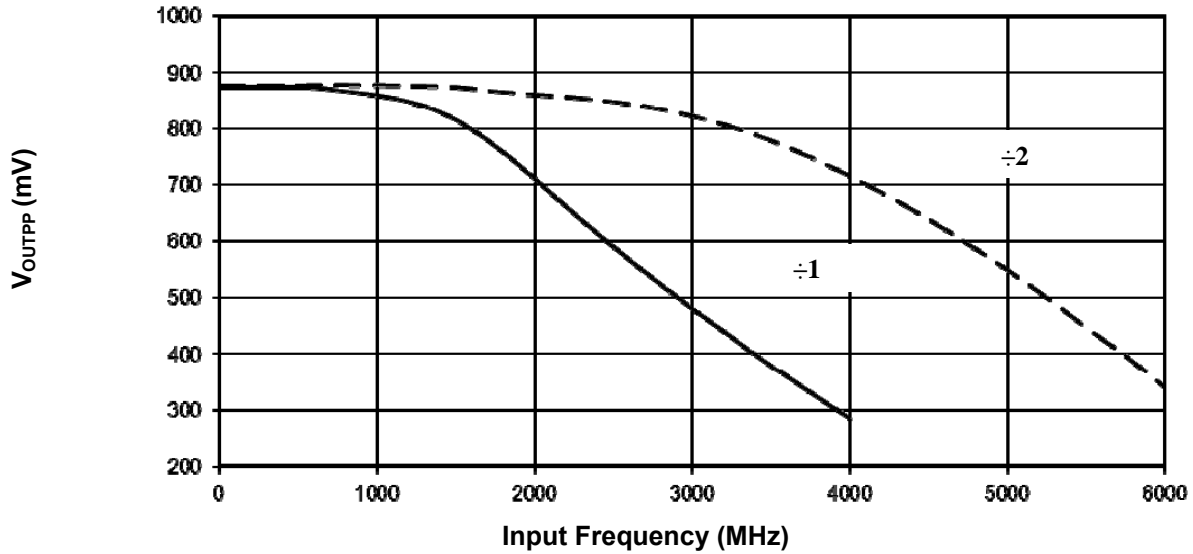


Figure 3

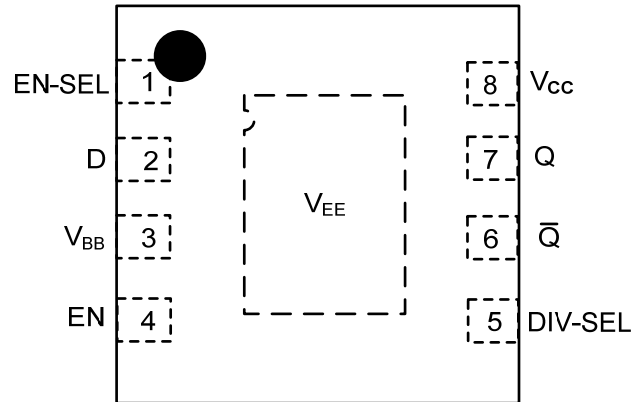


Typical Large Signal Output Swing
Measured with 750mV D input, Q/Q each terminated to V_{CC}-2V via 50Ω resistors.

Pin Description and Configuration

Pin Assignments

Pin	Name	Type	Function
1	EN-SEL	Input	Enable Polarity Select
2	D	Input	Data Input
3	V _{BB}	Input	Reference Voltage
4	EN	Input	Output Enable
5	DIV-SEL	Input	Divide Select
6	\bar{Q}	Output	Inverted PECL Output
7	Q	Output	PECL Output
8	V _{CC}	Power	Positive Supply
9	V _{EE}	Power	Negative Supply



PART ORDERING INFORMATION

Part Number	Package	Marking
CTSLV394NG	MLP8	J4G / YWW