

4

3

2

1

THIS DRAWING IS UNPUBLISHED.

RELEASED FOR PUBLICATION

© COPYRIGHT - By -

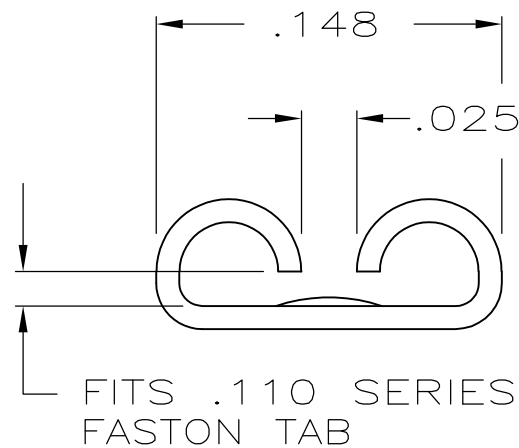
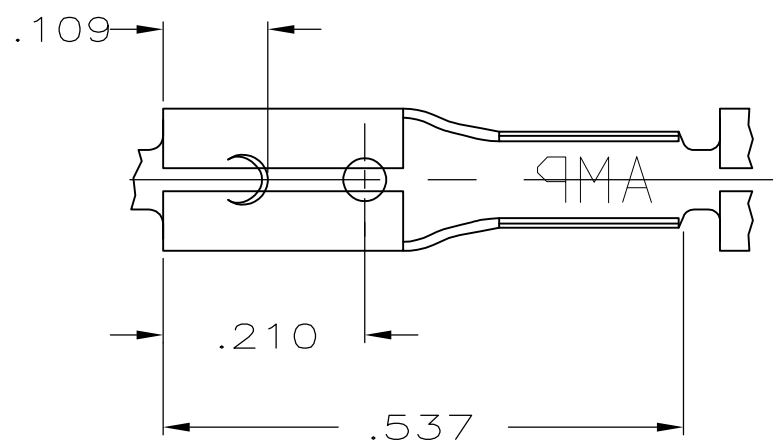
ALL RIGHTS RESERVED.

LOC AF DIST 50

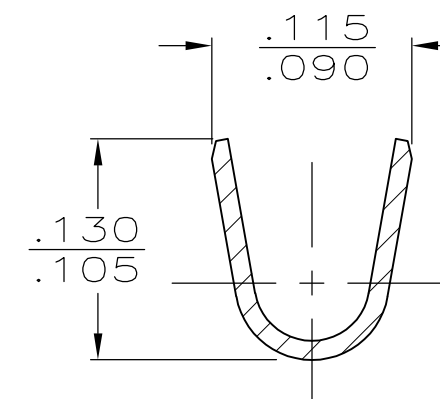
REVISIONS

P	LTR	DESCRIPTION	DATE	DWN	APVD
	B	REVISED PER ECR-12-013445	18OCT12	KH	PD

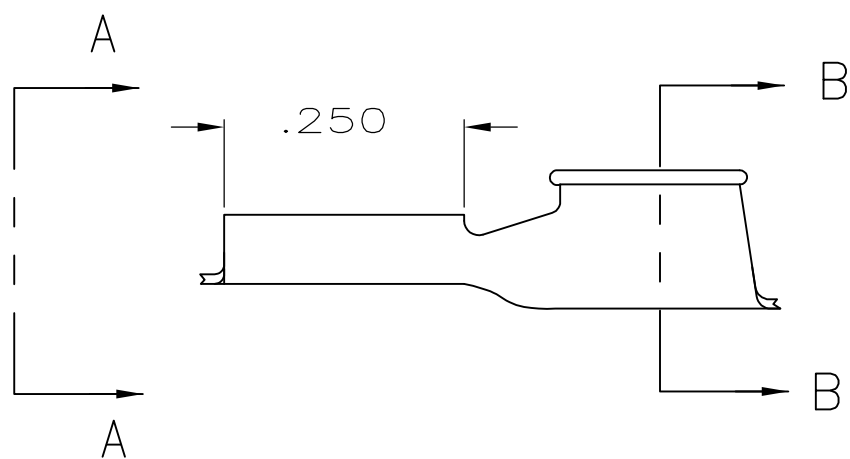
1 CONTINUOUS STRIP ON REELS.




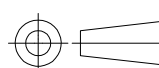
VIEW A-A



SECTION B-B



20-16	.020 ±.001	41500
WIRE SIZE	TAB THK.	PART NO.

THIS DRAWING IS A CONTROLLED DOCUMENT.		DWN 28DEC2012 KIRAN HOLAL	 <b>TE Connectivity</b>					
DIMENSIONS: INCHES		CHK 28DEC2012 DESANTIS, PETER				NAME		
		APVD 28DEC2012 DESANTIS, PETER				.110 SERIES FASTON, RECEPTACLE		
TOLERANCES UNLESS OTHERWISE SPECIFIED:		PRODUCT SPEC				RESTRICTED TO		
0 PLC ± - 1 PLC ± - 2 PLC ± - 3 PLC ± .015 4 PLC ± - ANGLES ± -		APPLICATION SPEC	SIZE	CAGE CODE	DRAWING NO			
MATERIAL	FINISH	WEIGHT	A3 00779 C-41500					
BRASS	PRE-TIN	-	SCALE NTS SHEET 1 OF 1 REV B					
CUSTOMER DRAWING								