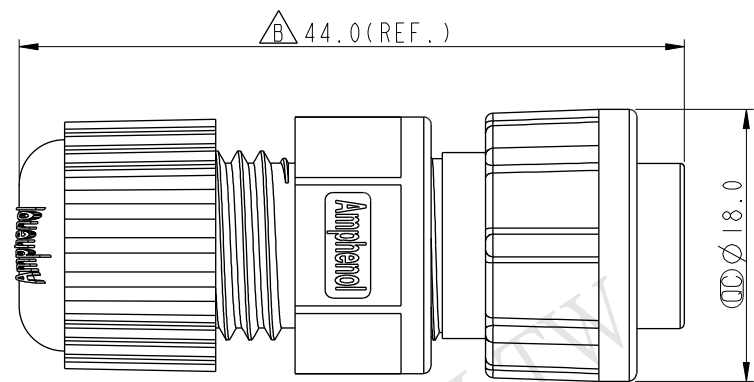
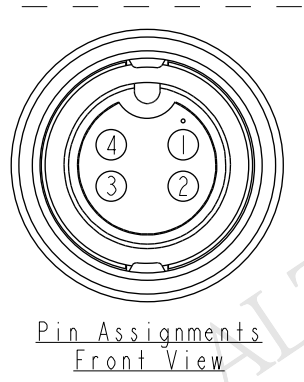
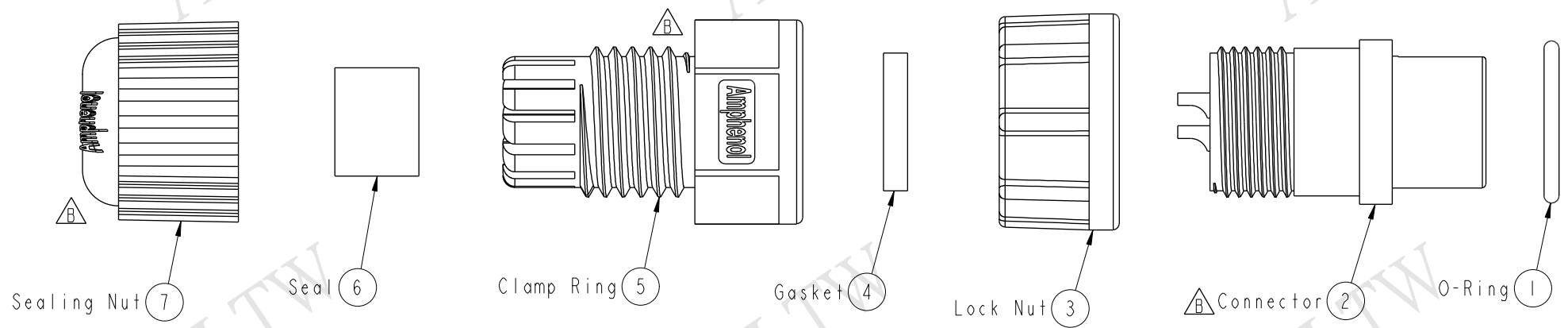


THIS DOCUMENT IS SUBJECT TO CHANGE WITHOUT NOTICE. IT IS CONFIDENTIAL AND A PROPERTY OF Amphenol LTW. DISCLOSURE TO THIRD PARTY HAS TO BE AUTHORIZED BY Amphenol LTW.

REV.	ECN NO.	DATE	SIGN	DESCRIPTION
B	LE314C0013	2014/11/21	Vicky	Update Logo & Dimension

ALTW
 CONFIDENTIAL
 2014-11-21
 R&D DEPT.

ALTW
 DCC. DEPT.
 CONFIDENTIAL
 2014.12.03
 ISSUED



- Note:
- * DD Important Dimension To Check.
 - * Waterproof Rate: IP67
 - * Housing: Nylon+GF, Black
 - * Male Pin: Copper Alloy, Gold Plated
 - * O-Ring: EPDM, Black
 - * Lock Nut: Nylon+GF, Black
 - * Gasket: EPDM, Black
 - * Clamp Ring: Nylon, Black
 - * Seal: EPDM, Black
 - * Sealing Nut: Nylon, Black
 - * Seal For Cable OD: $\varnothing 4.5\text{mm} \sim \varnothing 6.5\text{mm}$
(防水墊圈線徑: $\varnothing 4.5\text{mm} \sim \varnothing 6.5\text{mm}$)
 - * One Set Unassembled In One PE Bag
(每一組未組裝, 放置於一個PE袋, 並封口)

UNIT:mm			TITLE 4Pin Female Connector Male Pin for Field Installation, Lock Type				ITEM NO	BD-04BFMA-LL7001	DRAWN BY	Vicky	DATE	2014-11-21
			SCALE 2:1		SIZE A4	SHEET 1 OF 1	DWG NO	BD-04BFMA-LL7001	CHECKED BY	Sam	DATE	2014-11-21
TOLERANCE	.X	± 0.25	REV.	B	WC-REV.	A.2	CUSTOMER	ALTW	APPROVED BY	Rita	DATE	2014-11-21
.XX	± 0.1											
.XXX	± 0.05											
ANGLES	$\pm 1^\circ$											

Amphenol LTW
 安費諾亮泰企業股份有限公司

DD : Inspection item