

4

3

2

1

THIS DRAWING IS UNPUBLISHED.

RELEASED FOR PUBLICATION

20

© COPYRIGHT 20 BY TYCO ELECTRONICS CORPORATION. ALL RIGHTS RESERVED.

LOC
DS

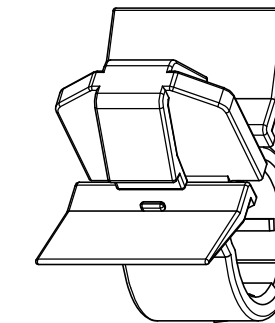
DIST
-

REVISIONS

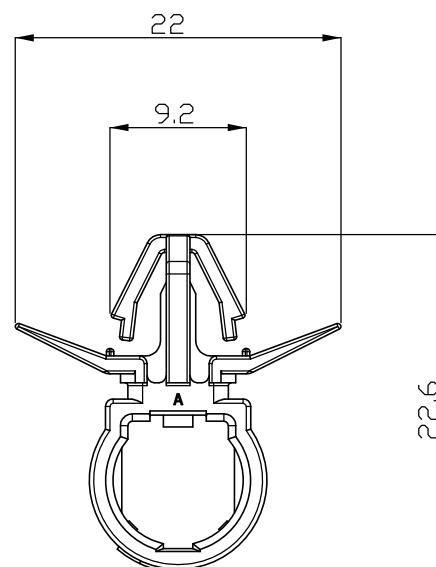
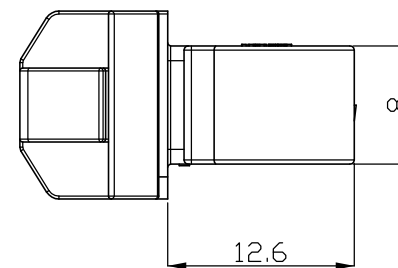
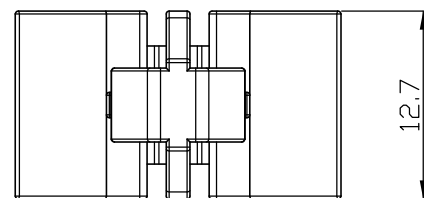
P	LTR	DESCRIPTION	DATE	DWN	APVD
	A	RELEASE	23 JUN'10	SJ	JK

D

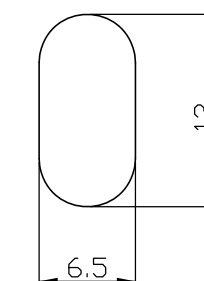
D



ISOMETRIC VIEW



PANEL HOLE



PANEL THICKNESS : 1.5mm

C

C

B

B

NOTE:

- 1. GENERAL TOLERANCE : ±0.3, ±0.3°
- 2. THE MATING PLUG HSG P/N : 1897374

2005038-2	PA66	BLACK
P/N	MATERIAL	COLOR

THIS DRAWING IS A CONTROLLED DOCUMENT FOR TYCO ELECTRONICS CORPORATION IT IS SUBJECT TO CHANGE AND THE CONTROLLING ENGINEERING ORGANIZATION SHOULD BE CONTACTED FOR THE LATEST REVISION.

DIMENSIONS: mm	TOLERANCES UNLESS OTHERWISE SPECIFIED:
	0 PLC ±-
	1 PLC ±0.3
	2 PLC ±0.10
	3 PLC ±0.001
	4 PLC ±0.0001
	ANGLES ±
MATERIAL SEE TABLE	FINISH SEE TABLE

DWN SJ CHOI	-
CHK KT LIM	-
APVD JK SONG	-
PRODUCT SPEC	-
APPLICATION SPEC	-
WEIGHT	-
CUSTOMER DRAWING	

Tyco Electronics		Tyco Electronics Kyungsan, Korea	
NAME SLOT CLIP FOR SMB 1P HSG			
SIZE A3	CAGE CODE 00779	DRAWING NO C=2005038	RESTRICTED TO -
SCALE 2:1		SHEET 1 OF 1	REV A

A

A