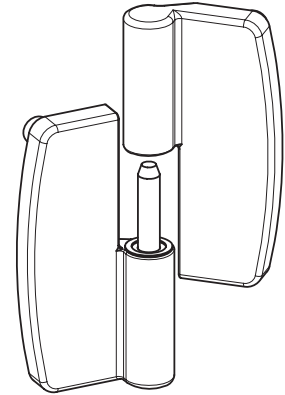
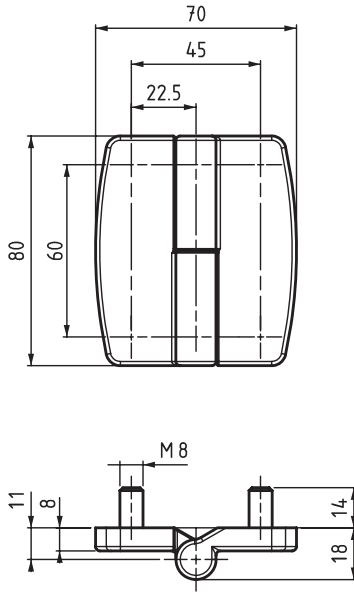


# FLAT HINGES

## LEAF HINGE

1699



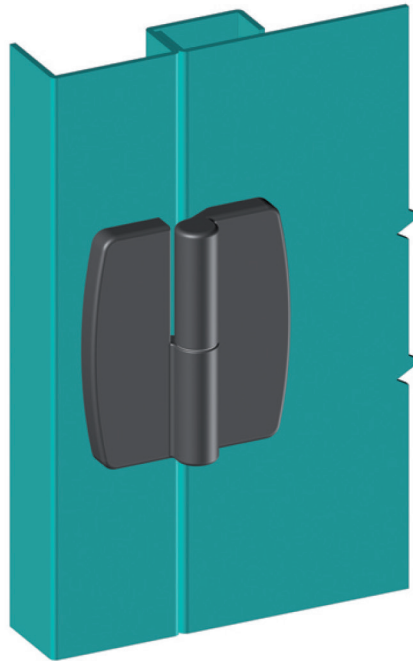
- Concealed mounting-screws prevent external access to hinge
- Designed for plain/flush-mounted doors
- Suitable for left- and right-hand applications

### APPLICATIONS

Generators, machinery covers, electric panels

### MATERIAL

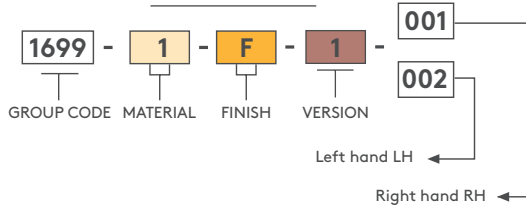
BODY: Zamak DIN-EN 1774-ZnAl4Cu1  
PIN: Stainless Steel



Hinge Rotation Angle



### PRODUCT CODE



MATERIAL	M	FINISH	F
Zamak	1	Chrome	1
		Black coated	2