

NOTES:

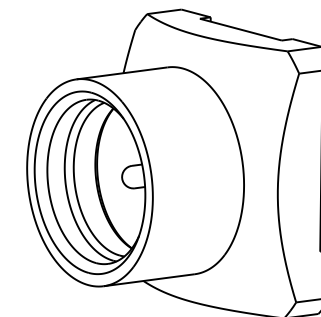
1. MATERIAL AND FINISH:
BODY & CONTACT - BRASS, GOLD PLATING
INSULATOR - LCP, NATURAL
2. ELECTRICAL:
A. IMPEDANCE: 50 OHM
B. FREQUENCY RANGE: DC - 6 GHz
C. RETURN LOSS (VSWR): -30dB (1.07) DC - 3 GHz
-20dB (1.22) 3 - 6 GHz
D. CONTACT RESISTANCE: CENTER CONTACT 5 mΩ MAX.
OUTER CONTACT 5 mΩ MAX.
E. INSERTION LOSS: 0.1dB MAX @ DC - 3GHz
F. INSULATION RESISTANCE: 5000 MΩ MIN.
G. DIELECTRIC WITHSTANDING VOLTAGE: 1000 VRMS, MIN.
H. POWER HANDLING: 40 W @ 2.6 GHz AT 95°C
120 W @ 2.5 GHz AT 95°C

3. MECHANICAL:
A. DURABILITY: 50 CYCLES MIN.
B. TEMPERATURE RANGE: -45°C TO +125°C
4. PACKAGING:
A. PACKAGE IN 50 PIECE TRAYS
B. MARK TRAYS: "AMPHENOL RF, 920-502J-52P, DATE CODE"

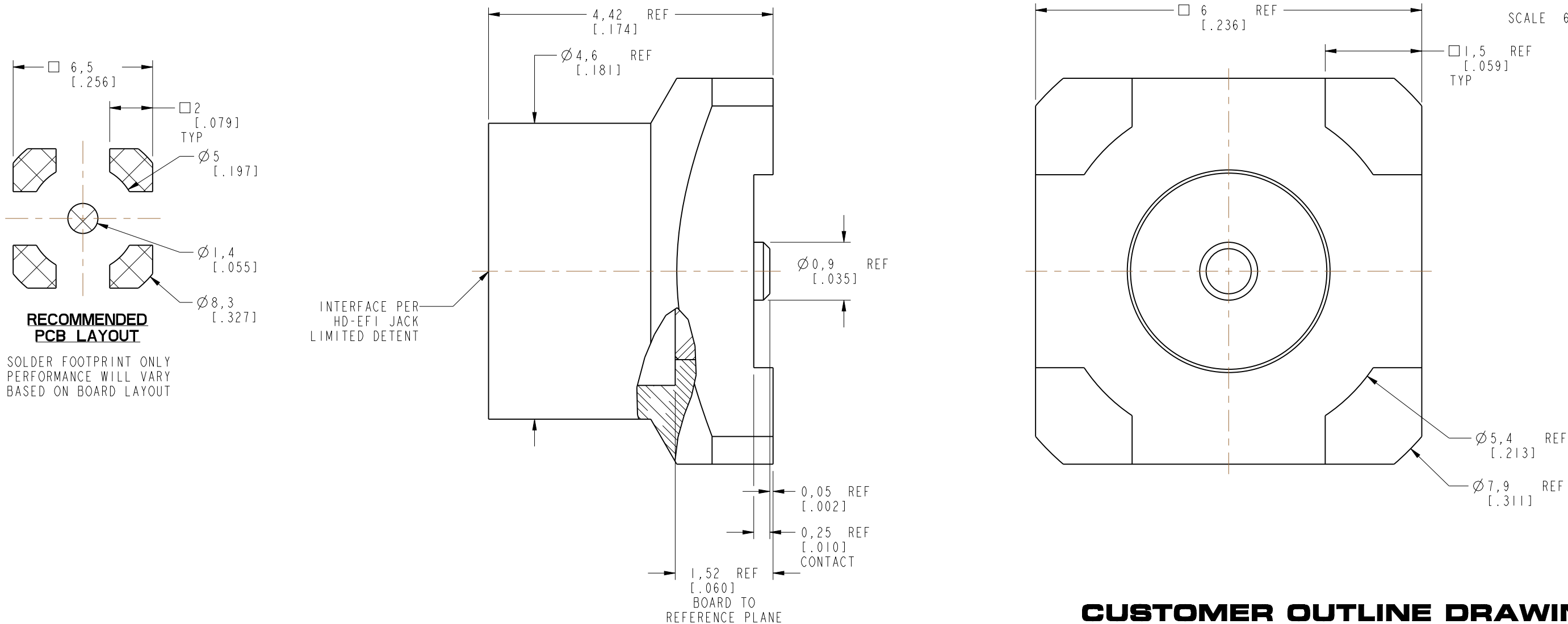
THIRD ANGLE PROJ.

REVISIONS

REV	DESCRIPTION	DATE	ECO	APPR
A	RELEASE TO MFG.	24-May-18	8168	BMG



SCALE 6.000



UNLESS OTHERWISE SPECIFIED, DIMENSIONS ARE IN METRIC AND TOLERANCES ARE:

<0.5mm	0.5 - 6mm	6 - 30mm	30 - 120mm	ANGLES
± 0.05mm	± 0.1mm	± 0.2mm	± 0.3mm	± 1°

NOTICE - These drawings, specifications, or other data (1) are, and remain the property of Amphenol corp. (2) must be returned upon request; and (3) are confidential and not to be disclosed to any person other than those to whom they are given by Amphenol Corp. the furnishing of these drawings, specifications, or other data by Amphenol Corp., or to any other person to anyone for any purpose is not to be regarded by implication or otherwise in any manner licensing, granting rights to permitting such holder or any other person to manufacture, use or sell any product, process or design, patented or otherwise, that may in any way be related to or disclosed by said drawings, specifications, or other data.

MATERIAL	SEE NOTES	DRAWN	VIJI K	DATE	03-May-17	TITLE	HD-EFI STR JACK LIMITED DETENT SURFACE MOUNT	Amphenol RF www.amphenolrf.com	
REFERENCE	EAR# 7563 REF: 615X-3344-X00	ENGINEER	B.GREENBAUM	DATE	03-May-17				DRAWING NO.
CONFIGURATION LEVEL:	In Work	APPROVED	K.CAPOZZI	DATE	24-May-18	SCALE: 15.0:1.0	SHEET 2 OF 2	ITEM NO.	920-502J-52P
FINISH		CAD FILE				DWG SIZE	B	REV	A
								PART NO.	920-502J-52P